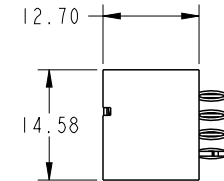
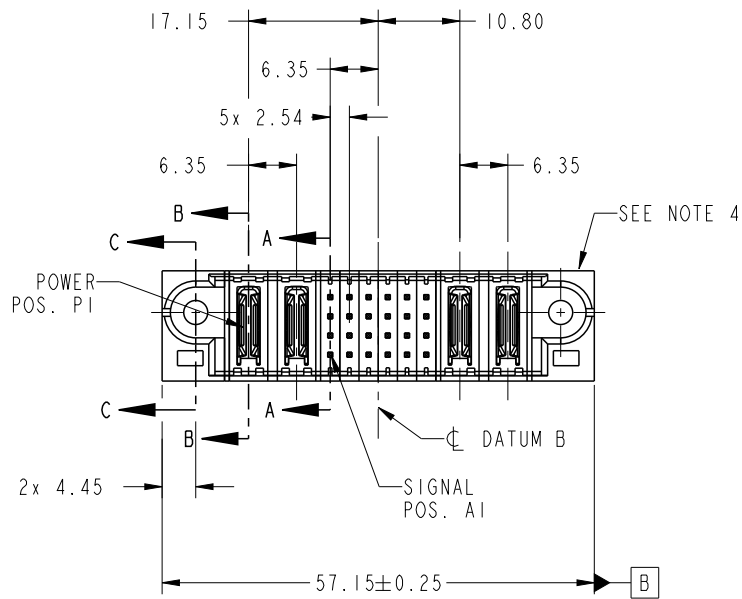


PRODUCT NO.	ROWS	POWER		SIGNAL						POWER			
		E1	P1	P2	1	2	3	4	5	6	P3	P4	E2
51710-062-- NOTE ③	D C B A		PC	PC	K	G	G	G	G	G	PC	PC	



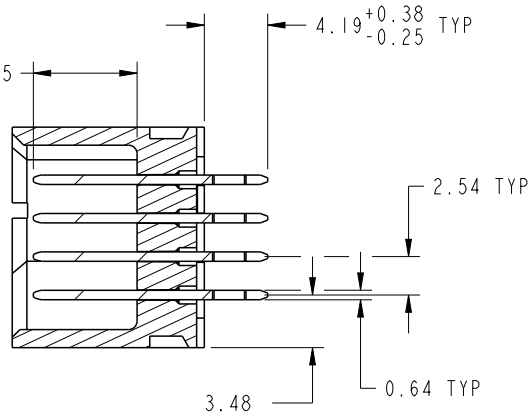
CODE	DIM "M" MATING LENGTH	CONTACT TYPE
PC	[N/A]	POWER
K	[5.59]	SIGNAL
G	[6.86]	SIGNAL
HA	[N/A]	HOLD-DOWN

spec ref	See Notes			dr	Ruan MT	2013/08/01	projection 	MM ←→	size	A4	scale	1:1	
tolerance std	TOLERANCES UNLESS OTHERWISE SPECIFIED			eng	Ruan MT	2013/10/15			ecn no	-			
See Notes				chr	-	-			product family	PwrBlade		rel level	Released
surface	linear	0.X	±0.50	FCI	www.fci.com	title	2P + 24S + 2P VERTICAL PRESS FIT HEADER		dwg no	51710-062		rev	A
		0.XX	±0.25										
		0.XXX	±0.10										
	angular	0°	±2°	cat. no.	&model_name	Product - Customer Drw			sheet 1 of 4				

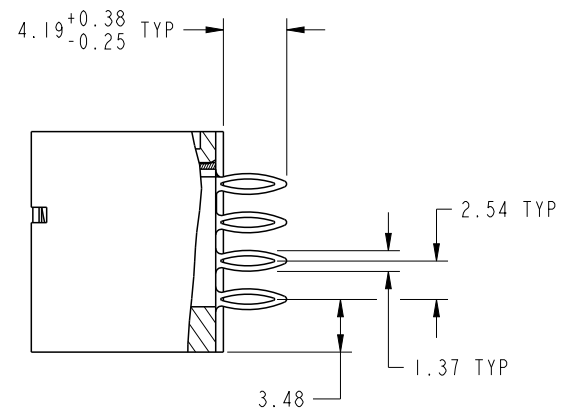
PRODUCT NUMBER

51710-062--
NOTE 3

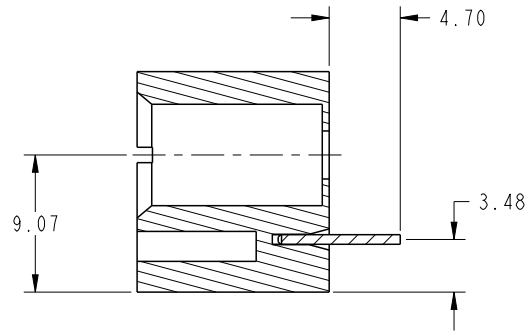
DIM "M" ±0.25



SECTION A-A
SCALE 2:1



SECTION B-B
SCALE 2:1



SECTION C-C
SCALE 2:1

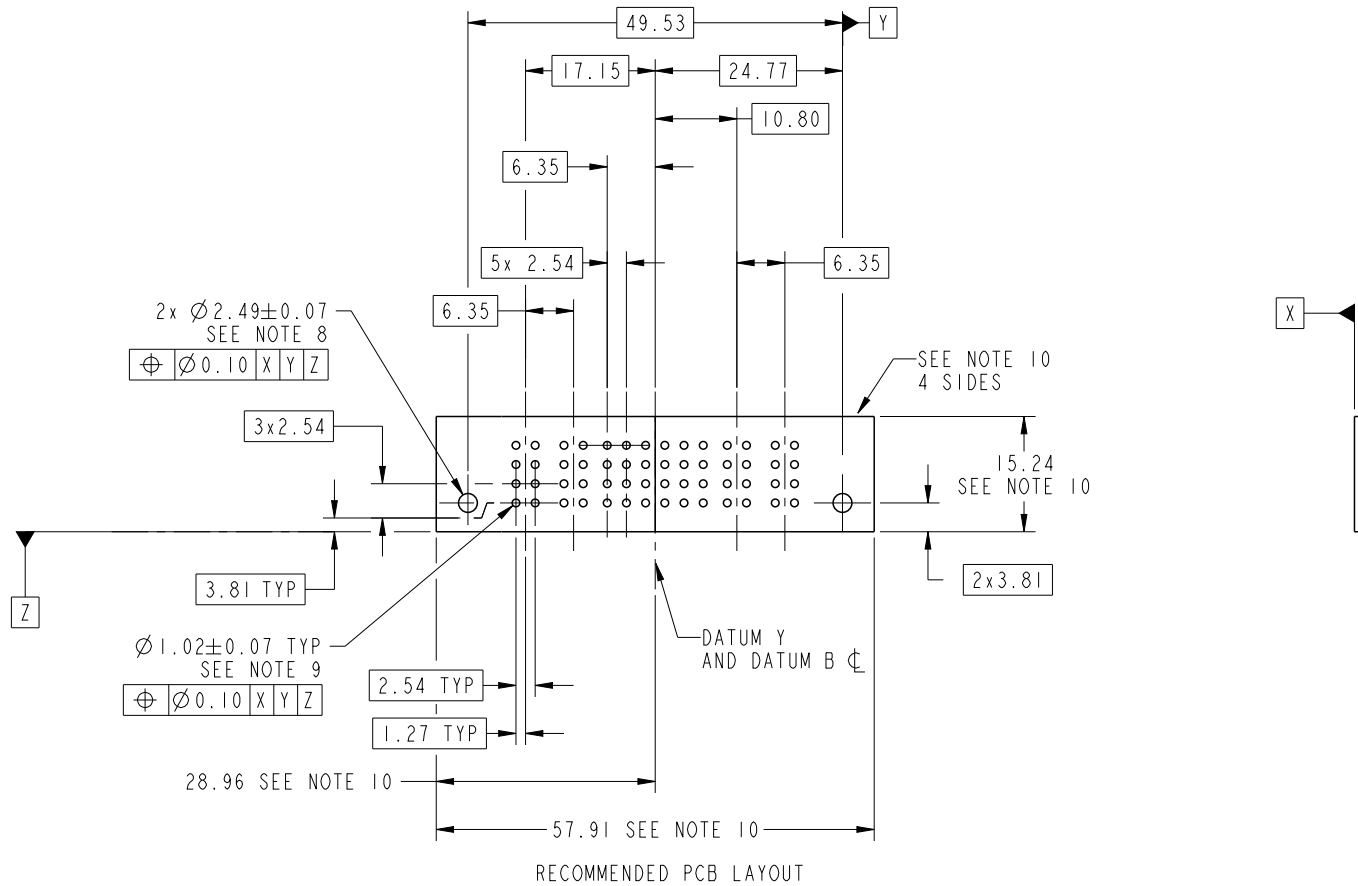
dr	Ruan MT	2013/08/01	projection 	MM 	size	A4	scale	1:1
eng	Ruan MT	2013/10/15			ecn no	-		
chr	-	-			product family	PwrBlade	rel level	Released
appr	Pei-Ming Zheng	2013/10/15			title 2P + 24S + 2P VERTICAL PRESS FIT HEADER	dwg no 51710-062	rev A	
www.fci.com		cat. no.	&model_name	Product - Customer Drw		sheet 2 of 4		



Copyright FCI.

PRODUCT NUMBER

51710-062--
NOTE 3



dr	Ruan MT	2013/08/01	projection 	MM 	size	A4	scale	1:1	
eng	Ruan MT	2013/10/15			ecn no	-			
chr	-	-			rel level	Released			
appr	Pei-Ming Zheng	2013/10/15	product family	PwrBlade					
	title			2P + 24S + 2P	dwg no	51710-062		rev	A
www.fci.com		cat. no.	&model_name	Product - Customer Drw		sheet 3 of 4			



PRODUCT NUMBER

51710-062__
NOTE 3

NOTES:

1. DIMENSIONS AND TOLERANCES ARE IN ACCORDANCE WITH ASME Y14.5M, 1994 UNLESS OTHERWISE SPECIFIED.

CONNECTOR NOTES:

- 2 HOUSING MATERIAL: UL 94 V-0 GLASS FILLED HIGH-TEMP THERMOPLASTIC
POWER CONTACT MATERIAL: COPPER ALLOY
SIGNAL PIN MATERIAL: COPPER ALLOY
- 3. SEE ITEM 3 & 4 IN PRINT 10064183 FOR PLATING SPEC OF 51710-062 AND 51710-062LF RESPECTIVELY.

4 MANUFACTURER'S NAME, DATE CODE AND OPTIONAL P/N TO APPEAR ON THIS SURFACE. THE MARK CAN BE OMITTED IF THERE IS NOT ENOUGH SPACE ON THIS SURFACE.

5. PRODUCT SPECIFICATION GS-12-149.
APPLICATION SPECIFICATION BUS-20-067.

6. PACKAGED IN TRAYS.

PCB NOTES:

- 7. ALL HOLE DIAMETERS ARE FINISHED HOLE SIZE.
- 8. MOUNTING HOLES, WHERE APPLICABLE, ARE UNPLATED.

9 $\varnothing 1.151 \pm 0.025$ DRILLED HOLES PLATED WITH 0.008 MIN SnPb OR Sn OVER .001 [0.03] TO 0.08 Cu PLATING TO ACHIEVE $\varnothing 1.02 \pm 0.07$ HOLE.

10 CONNECTOR KEEP-OUT ZONE.

11. FOR PRESS FIT APPLICATION USE FCI CAM TOOL 430169-XXX.



Copyright FCI.

dr	Ruan MT	2013/08/01	projection 	MM 	size	A4	scale	1:1
eng	Ruan MT	2013/10/15			ecn no	-		
chr	-	-						
appr	Pei-Ming Zheng	2013/10/15	product family	PwrBlade	rel level	Released		
	title	2P + 24S + 2P VERTICAL PRESS FIT HEADER		dwg no	51710-062		rev	A
www.fci.com	cat. no.	&model_name	Product - Customer Drw		sheet 4 of 4			