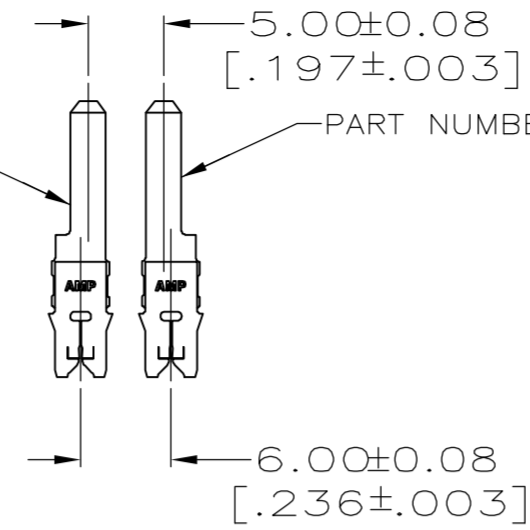


THIS DRAWING IS UNPUBLISHED. RELEASED FOR PUBLICATION  
 © COPYRIGHT BY TYCO ELECTRONICS CORPORATION. ALL RIGHTS RESERVED.

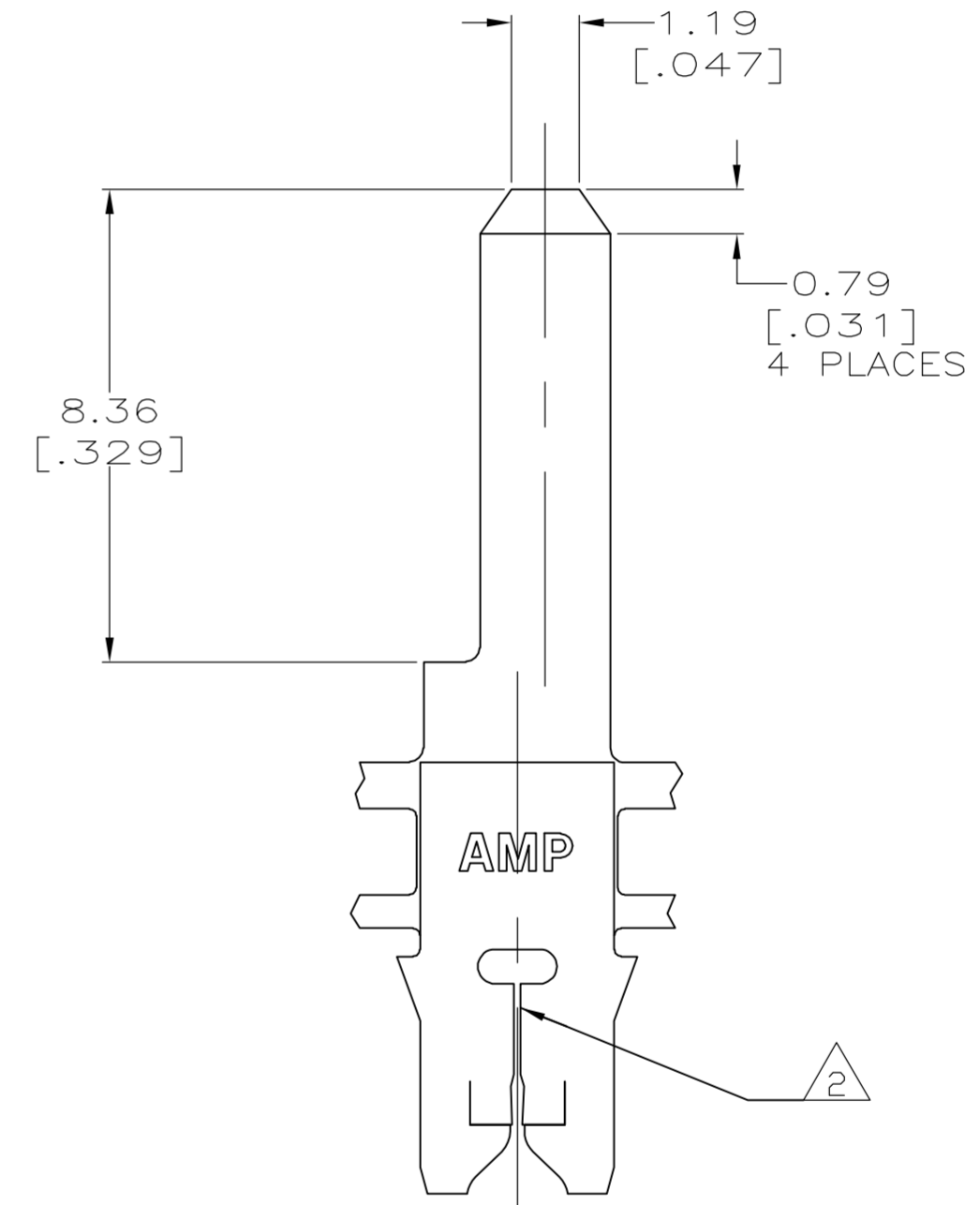
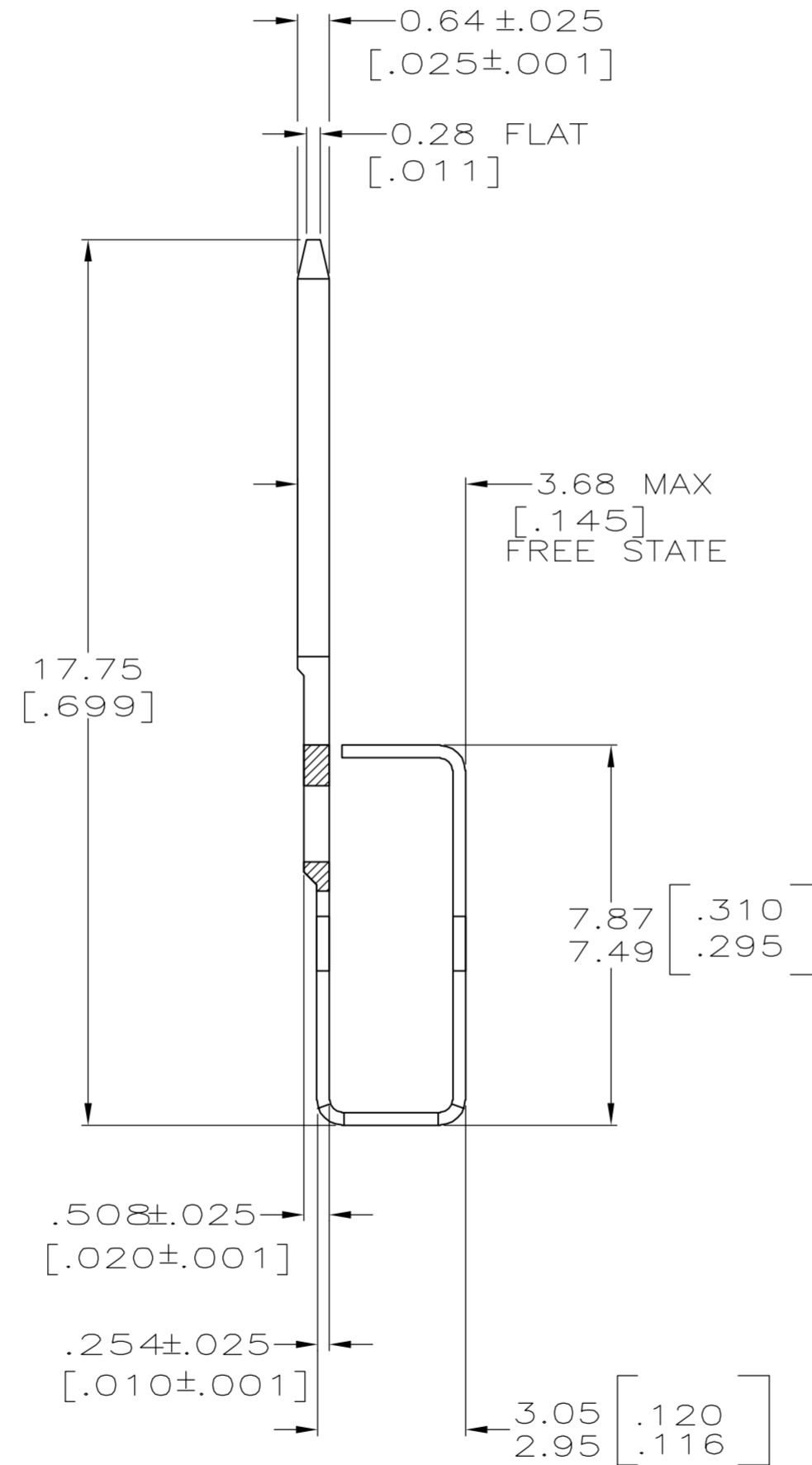
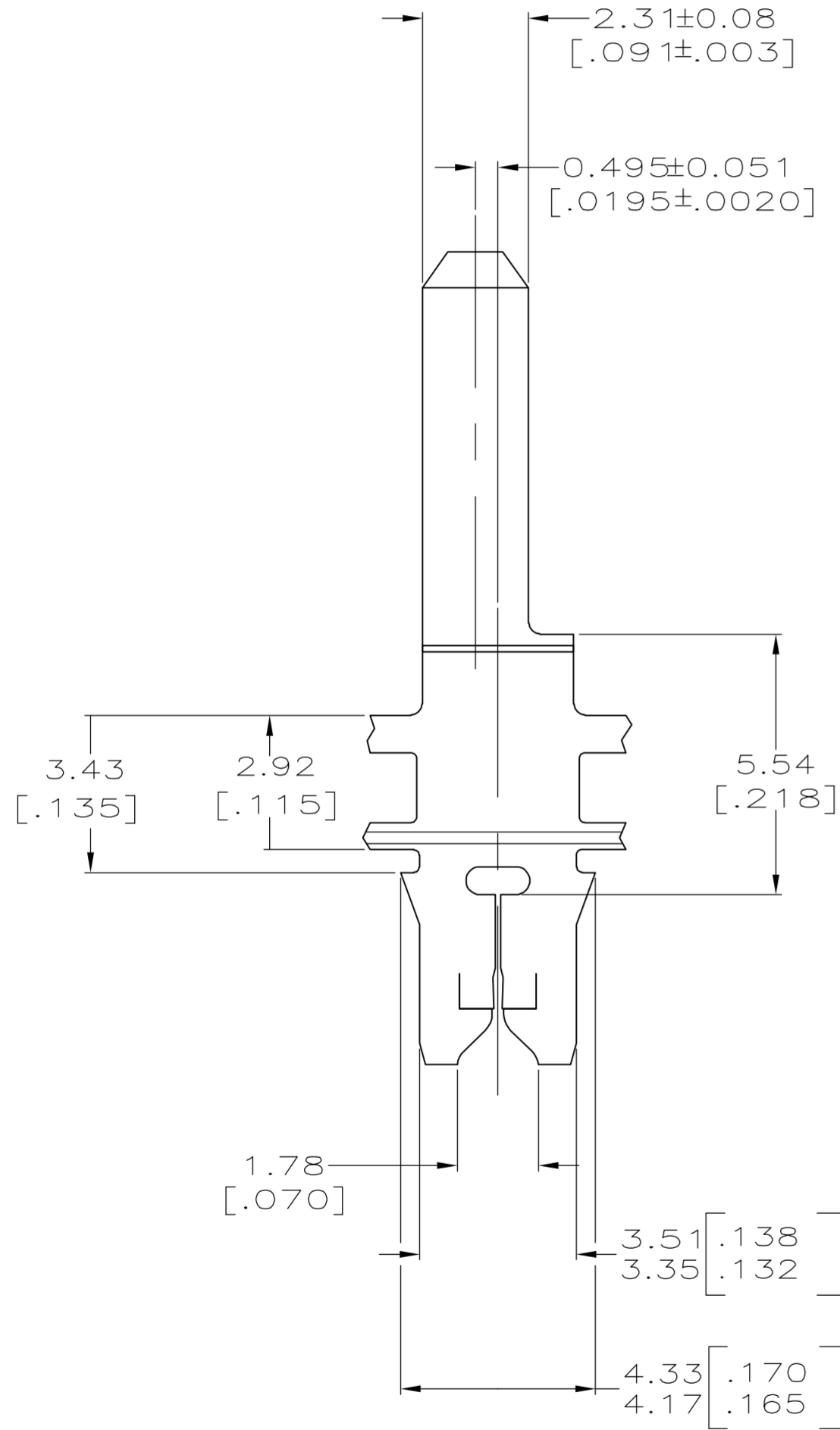
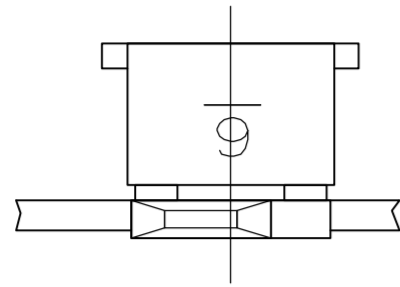
LOC		DIST		REVISIONS			
P	LTR	DESCRIPTION	DATE	DWN	APVD		
AF	50						
	D	REVISED PER ECR-05-010598	02DEC05	MF	KR		

PART NUMBER 1217052-1      PART NUMBER 1217051-1



INSERTED DIMENSIONS  
SCALE 2:1

- 1 CONTINUOUS STRIP ON REELS WITH TERMINALS LOCATED ON 5.59±0.08 [.220±.003] CENTERS
- 2 SLOT TERMINATES EITHER A SINGLE OR DOUBLE MAGNET WIRE OF THE SAME TYPE AND SIZE, COPPER RANGE: 0.25mm [#30] AWG.
- 3 SPECIAL PACKAGE MARKINGS—ORANGE COLOR CODE TAG NEXT TO REEL TAG



3 1217052-1

THIS DRAWING IS A CONTROLLED DOCUMENT.		DWN 19JAN98 MICHAEL S. FEHER	Tyco Electronics Corporation Harrisburg, PA 17105-3608	
DIMENSIONS: INCHES		CHK 20JAN98 RICHARD GRZYBOWSKI		
TOLERANCES UNLESS OTHERWISE SPECIFIED:		APVD 21JAN98 NELSON E. NEFF	NAME TAB, 2.31 [.091], RIGHT HAND, MAG-MATE	
		PRODUCT SPEC 108-2012	RESTRICTED TO	
MATERIAL H04 PRE-MILLED BRASS		APPLICATION SPEC 114-2046	SIZE A2	CAGE CODE 00779
FINISH 0.002032 [.000080] MIN TIN PLATE		WEIGHT -	DRAWING NO C=1217052	SCALE 8:1
CUSTOMER DRAWING		SHEET 1 of 1		REV D