

PART NUMBER	REV	TERMINATOR	FEED TYPE	DESCRIPTION
1426610-1	A	LEADMAKER	MECH POST FEED	CUTS CARRIER
1426610-2	A	BENCH	MECH PRE FEED	CUTS CARRIER
1426610-6	A	LEADMAKER	MECH POST FEED	CONTINUOUS CARRIER
7-1426610-1	A	LEADMAKER	MECH POST FEED	-1 AND SPARE PARTS
7-1426610-2	A	BENCH	MECH PRE FEED	-2 AND SPARE PARTS
7-1426610-6	A	LEADMAKER	MECH POST FEED	-6 AND SPARE PARTS
7-1426610-7	A	-	-	SPARE PARTS KIT

CRIMP	SIZE	TYPE	RANGE
WIRE	2.54 [1.00 IN]	F	1.00mm <sup>2</sup> -2.50mm <sup>2</sup>
INSUL	3.94 [1.55 IN]	F	2.00-3.50 [0.79-1.38 IN]
WIRE STRIP LENGTH	3.90-4.70 [1.53-1.83 IN]		APPL INSTRUCTIONS 408-8322

TERMINAL APPL SPEC	FEED
-	16.50 [0.650 IN]

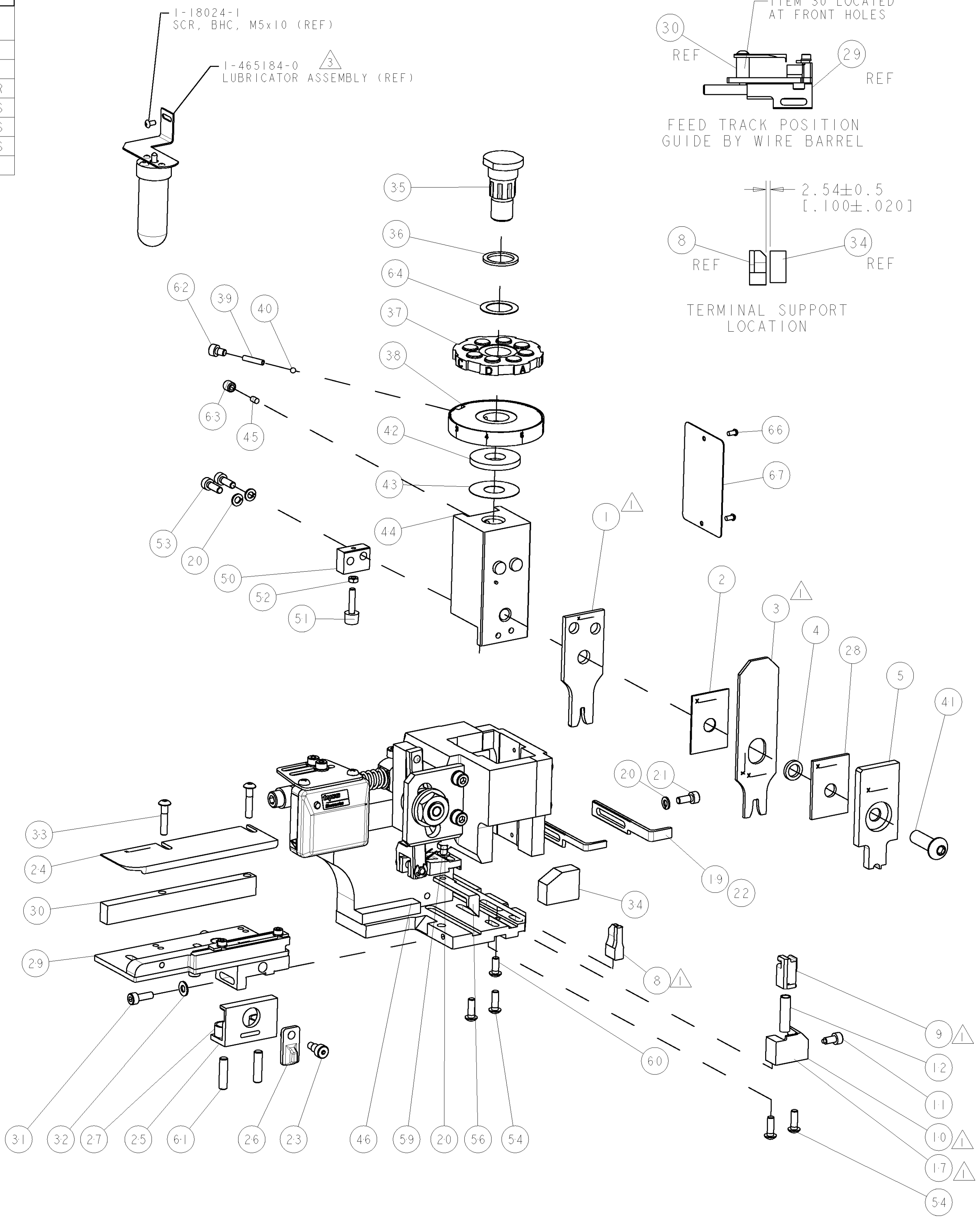
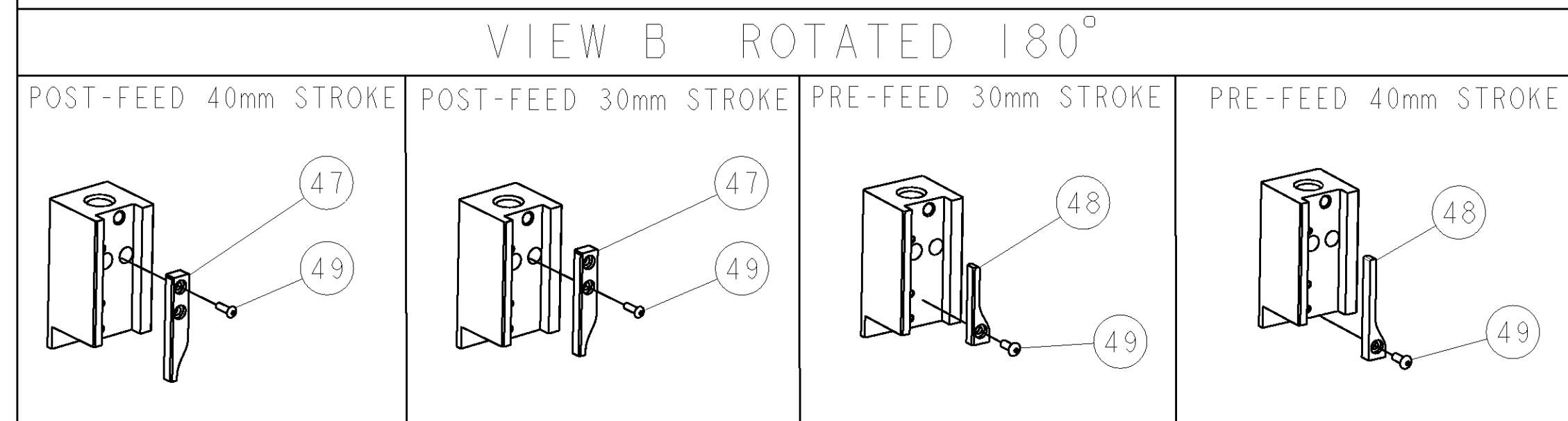
  

TYCO PN	MANUF'S PN		
1572998-1	14801 00000	-	-

WIRE SIZE	CRIMP HEIGHT	PINPN & LENGTH [IN]
2.50mm <sup>2</sup>	1.87 ±0.05 [0.074 ±.002 IN]	3-354778-5 [1.2670]
2.00mm <sup>2</sup>	1.71 ±0.05 [0.067 ±.002 IN]	4-354778-9 [1.2740]
1.50mm <sup>2</sup>	1.55 ±0.05 [0.061 ±.002 IN]	6-354778-1 [1.2800]
1.00mm <sup>2</sup>	1.39 ±0.05 [0.055 ±.002 IN]	7-354778-3 [1.2860]

- △ RECOMMENDED SPARE PARTS.
- 2. GREASE RAM, CAM, CAM FOLLOWER AND FEED ROD LIGHTLY.
- △ CERTAIN TERMINALS REQUIRE LUBRICATION. REFER TO THE APPLICATOR INSTRUCTION SHEET FOR MORE INFORMATION.
- 4. LUBRICATE DAILY PER THE APPLICATOR INSTRUCTION SHEET SUPPLIED WITH THE APPLICATOR.
- △ WIRE CRIMP DATA CALCULATED BY TYCO ELECTRONICS.
- △ WIRE RANGE IS THAT OF ORIGINAL CUSTOMER, TERMINALS WIRE RANGE IS 1.50mm<sup>2</sup> - 2.50mm<sup>2</sup> [16 - 14 AWG]
- △ UNABLE TO MEET IEC 60352-2 TENSILE VALUE ON 2.50mm<sup>2</sup> WIRE SIZE. ACHIEVABLE TENSILE VALUE OF 154 NEWTONS.



LOC	DIST	REV	DESCRIPTION	DATE	BY	APPD
A	66		SEE ECO-06-013860	12JUN2006	DP	MC

-	-	-	-	-	-	-	-	-	73
-	-	-	-	-	-	-	-	-	72
-	1	1	1	1	1	1	1338705-1	DOCUMENTATION PACKAGE	71
-	-	-	-	-	-	-	-	-	70
-	-	-	-	-	-	-	-	-	69
-	-	-	-	-	-	-	-	-	68
-	1	1	1	1	1	1	461264-1	PLATE, IDENTIFICATION	67
-	2	2	2	2	2	2	21017-2	SCREW, DRIVE	66
-	-	-	-	-	-	-	-	-	65
-	1	1	1	1	1	1	986950-1	WASHER, FLAT PRECISION	64
-	1	1	1	1	1	1	3-18031-0	SCR, SET, CUP POINT M6 X 6.0	63
-	1	1	1	1	1	1	18023-9	SCR, SKT HD CAP M4 X 6.0	62
-	2	2	2	2	2	2	2-18032-5	SCR, SET, FLT POINT M5 X 20.0	61
-	1	1	1	1	1	1	18024-7	SCR, BTN SKT HD CAP (M4 X 10.0)	60
-	1	1	1	1	1	1	5-18022-2	SCR, HEX HD CAP M4 X 8.0	59
-	-	-	-	-	-	-	-	-	58
-	-	-	-	-	-	-	-	-	57
-	1	1	1	1	1	1	1338685-1	PAWL, FEED	56
-	-	-	-	-	-	-	-	-	55
-	4	4	4	4	4	4	18024-8	SCR, BTN SKT HD CAP (M4 X 12.0)	54
-	2	2	2	2	2	2	1-18023-2	SCR, SKT HD CAP M4 X 12.0	53
-	1	1	1	1	1	1	18030-1	NUT, HEX, REG M3	52
-	1	1	1	1	1	1	811242-5	BUMPER, HOLD DOWN	51
-	1	1	1	1	1	1	690753-2	SPACER, TONKER	50
-	1	1	1	1	1	1	18024-3	SCR, BTN SKT HD CAP (M3 X 10.0)	49
-	1	1	1	1	1	1	1338675-1	CAM, UNIVERSAL PRE FEED	48
-	1	1	1	1	1	1	1338676-1	CAM, UNIVERSAL POST-FEED	47
-	1	1	1	1	1	1	1320999-3	APPLICATOR SUBASSEMBLY, HDI	46
-	1	1	1	1	1	1	690191-1	PLUG, NYLON	45
-	1	1	1	1	1	1	1338660-1	RAM	44
-	1	1	1	1	1	1	690125-1	SHIM SUB-ASSY	43
-	1	1	1	1	1	1	690124-4	WASHER, RAM (.135)	42
-	1	1	1	1	1	1	2-18024-6	SCR, BTN SKT HD CAP (M8 X 25.0)	41
-	1	1	1	1	1	1	23241-1	BALL, STEEL	40
-	1	1	1	1	1	1	2-22278-7	SPRING, COMPRESSION	39
-	1	1	1	1	1	1	1320922-1	DISC, ADJUST, INSULATION CRIMP	38
-	1	1	1	1	1	1	354777-1	WIRE DISC, ASSEMBLY	37
-	1	1	1	1	1	1	22480-5	SPRING, COMPRESSION	36
-	1	1	1	1	1	1	690212-1	POST, RAM	35
-	1	1	1	1	1	1	1320934-1	SUPPORT, TERMINAL	34
-	2	2	2	2	2	2	1-18024-0	SCR, BTN SKT HD CAP (M4 X 20.0)	33
-	1	1	1	1	1	1	18027-2	WASHER, FLAT, REG M4	32
-	1	1	1	1	1	1	1-18023-2	SCR, SKT HD CAP M4 X 12.0	31
-	1	1	1	1	1	1	1-1320908-5	SPACER, STRIP GUIDE	30
-	1	1	1	1	1	1	1633073-1	STRIP GUIDE ASSEMBLY	29
-	1	1	1	1	1	1	1-455888-7	SPACER, CRIMPER	28
-	2	2	2	2	2	2	1-22284-0	SPRING, COMPRESSION	27
-	1	1	1	1	1	1	356835-1	LEVER, DRAG RELEASE	26
-	1	1	1	1	1	1	240792-1	DRAG, TERMINAL	25
-	1	1	1	1	1	1	1320928-1	PLATE, STRIP GUIDE	24
-	1	1	1	1	1	1	980371-4	SCR, SKT HD SHLDR 5.0 DIA X 6.0	23
-	1	1	1	1	1	1	690472-2	STRIPPER	22
-	1	1	1	1	1	1	1-18023-1	SCR, SKT HD CAP M4 X 10.0	21
-	4	4	4	4	4	4	18025-2	WASHER, SPRG LOCK, REG M4	20
-	1	1	1	1	1	1	690472-1	STRIPPER	19
-	-	-	-	-	-	-	-	-	18
-	1	1	1	1	1	1	1338684-1	SHEAR HOLDER, FRONT	17
-	-	-	-	-	-	-	-	-	16
-	-	-	-	-	-	-	-	-	15
-	-	-	-	-	-	-	-	-	14
-	-	-	-	-	-	-	-	-	13
-	1	1	1	1	1	1	3-22280-3	SPRING, COMPRESSION	12
-	1	1	1	1	1	1	356885-4	STOP, SHEAR	11
-	1	1	1	1	1	1	1320921-1	SHEAR HOLDER, FRONT, CUT	10
-	1	1	1	1	1	1	454276-1	FLOATING SHEAR, FRONT	9
-	1	2	2	2	1	1	1633133-9	ANVIL, COMBINATION .100	8
-	-	-	-	-	-	-	-	-	7
-	-	-	-	-	-	-	-	-	6
-	1	1	1	1	1	1	1-455889-4	DEPRESSOR, SHEAR	5
-	1	1	1	1	1	1	2-238011-2	BLOCK, CRIMPER SPACER	4
-	1	2	2	2	1	1	683453-3	CRIMPER, INSULATION PREMIUM	3
-	1	1	1	1	1	1	455888-8	SPACER, CRIMPER	2
-	1	2	2	2	1	1	1-456407-3	CRIMPER, WIRE PREMIUM	1

-77	-76	-72	-71	-6	-2	-1	PART NO	DESCRIPTION	ITEM NO
-	-	-	-	-	-	-	-	-	84
-	-	-	-	-	-	-	-	-	83
-	-	-	-	-	-	-	-	-	82
-	-	-	-	-	-	-	-	-	81
-	-	-	-	-	-	-	-	-	80
-	-	-	-	-	-	-	-	-	79
-	-	-	-	-	-	-	-	-	78
-	-	-	-	-	-	-	-	-	77
-	-	-	-	-	-	-	-	-	76
-	-	-	-	-	-	-	-	-	75
-	-	-	-	-	-	-	-	-	74

LOC	DIST	REV	DESCRIPTION	DATE	BY	APPD
A	66		SEE ECO-06-013860	12JUN2006	DP	MC

ITEM NO	PART NO	DESCRIPTION
73	-	-
72	-	-
71	1338705-1	DOCUMENTATION PACKAGE
70	-	-
69	-	-
68	-	-
67	461264-1	PLATE, IDENTIFICATION
66	21017-2	SCREW, DRIVE
65	-	-
64	986950-1	WASHER, FLAT PRECISION
63	3-18031-0	SCR, SET, CUP POINT M6 X 6.0
62	18023-9	SCR, SKT HD CAP M4 X 6.0
61	2-18032-5	SCR, SET, FLT POINT M5 X 20.0
60	18024-7	SCR, BTN SKT HD CAP (M4 X 10.0)
59	5-18022-2	SCR, HEX HD CAP M4 X 8.0
58	-	-
57	-	-
56	1338685-1	PAWL, FEED
55	-	-
54	18024-8	SCR, BTN SKT HD CAP (M4 X 12.0)
53	1-18023-2	SCR, SKT HD CAP M4 X 12.0
52	18030-1	NUT, HEX, REG M3
51	811242-5	BUMPER, HOLD DOWN
50	690753-2	SPACER, TONKER
49	18024-3	SCR, BTN SKT HD CAP (M3 X 10.0)
48	1338675-1	CAM, UNIVERSAL PRE FEED
47	1338676-1	CAM, UNIVERSAL POST-FEED
46	1320999-3	APPLICATOR SUBASSEMBLY, HDI
45	690191-1	PLUG, NYLON
44	1338660-1	RAM
43	690125-1	SHIM SUB-ASSY
42	690124-4	WASHER, RAM (.135)
41	2-18024-6	SCR, BTN SKT HD CAP (M8 X 25.0)
40	23241-1	BALL, STEEL
39	2-22278-7	SPRING, COMPRESSION
38	1320922-1	DISC, ADJUST, INSULATION CRIMP
37	354777-1	WIRE DISC, ASSEMBLY
36	22480-5	SPRING, COMPRESSION
35	690212-1	POST, RAM
34	1320934-1	SUPPORT, TERMINAL
33	1-18024-0	SCR, BTN SKT HD CAP (M4 X 20.0)
32	18027-2	WASHER, FLAT, REG M4
31	1-18023-2	SCR, SKT HD CAP M4 X 12.0
30	1-1320908-5	SPACER, STRIP GUIDE
29	1633073-1	STRIP GUIDE ASSEMBLY
28	1-455888-7	SPACER, CRIMPER
27	1-22284-0	SPRING, COMPRESSION
26	356835-1	LEVER, DRAG RELEASE
25	240792-1	DRAG, TERMINAL
24	1320928-1	PLATE, STRIP GUIDE
23	980371-4	SCR, SKT HD SHLDR 5.0 DIA X 6.0
22	690472-2	STRIPPER
21	1-18023-1	SCR, SKT HD CAP M4 X 10.0
20	18025-2	WASHER, SPRG LOCK, REG M4
19	690472-1	STRIPPER
18	-	-
17	1338684-1	SHEAR HOLDER, FRONT
16	-	-
15	-	-
14	-	-
13	-	-
12	3-22280-3	SPRING, COMPRESSION
11	356885-4	STOP, SHEAR
10	1320921-1	SHEAR HOLDER, FRONT, CUT
9	454276-1	FLOATING SHEAR, FRONT
8	1633133-9	ANVIL, COMBINATION .100
7	-	-
6	-	-
5	1-455889-4	DEPRESSOR, SHEAR
4	2-238011-2	BLOCK, CRIMPER SPACER
3	683453-3	CRIMPER, INSULATION PREMIUM
2	455888-8	SPACER, CRIMPER
1	1-456407-3	CRIMPER, WIRE PREMIUM