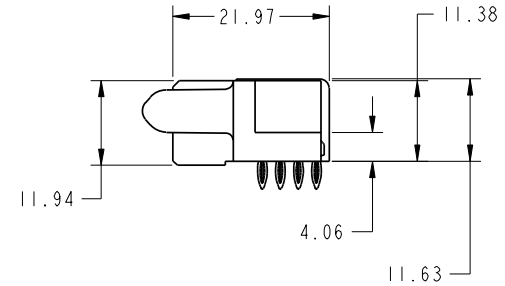
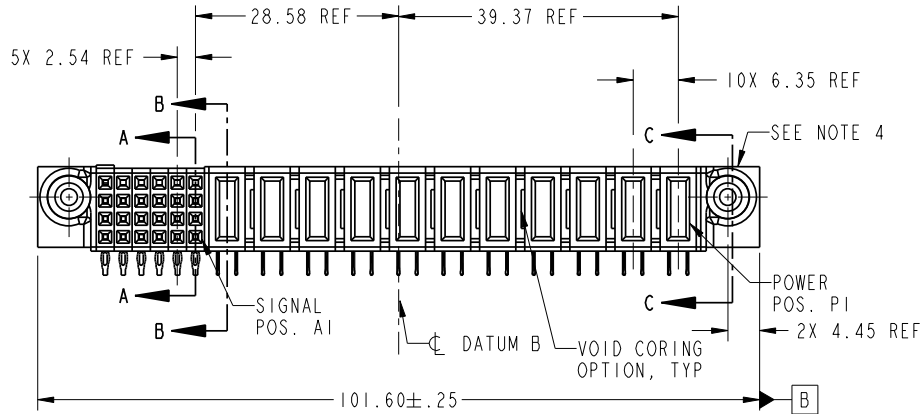
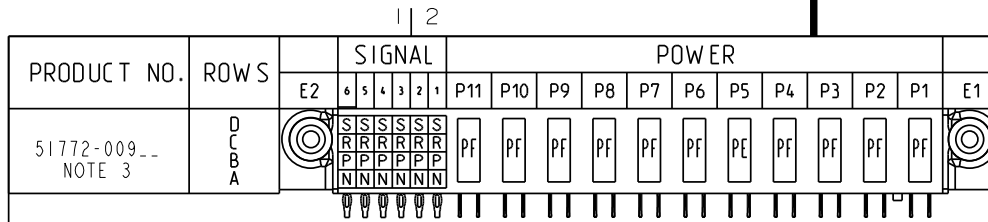


Tous droits strictement reserves. Reproduction ou communication a des tiers interdite sous quelque forme que ce soit sans autorisation ecrite du proprietaire. Propriete de c FCI. Droits de reproduction FCI.



All rights strictly reserved. Reproduction or issue to third parties in any form whatever is not permitted without written authority from the proprietor. Property of FCI. Copyright FCI.



CODE	DIM "M" MATING LENGTH	CONTACT TYPE
PF	[2.34]	POWER
S	[N/A]	SIGNAL
R	[N/A]	SIGNAL
P	[N/A]	SIGNAL
N	[N/A]	SIGNAL
PE	[1.07]	POWER

mat'l code				tolerances unless otherwise specified		CUSTOMER	
SEE NOTE 2				0.X ± 0.3		COPY	
lfr	ecr no.	dr	date	linear	0.XX ± 0.13	projection	
A	DG08-0033	JUL1A	11/29/07	angles	0.XXX ± 0.051		
				dr	0° ± 2°		
				enr	JULIA WANG 11/29/07		
				chr	JEROME CHEN 11/29/07		
				appd	GARY HSIEH 11/29/07		
					JOSEPH HSIA 11/29/07		
sheet index	revision sheet	A	A	A	A	scale 1:1	
		1	2	3	4		

CUSTOMER		product family		code	
www.fciconnect.com		PwrBlade		213	
title		size		sheet	
IIP + 24S R/A PRESS FIT RECEPTACLE		A		1 of 4	
product family		dwg no		cage code	
PwrBlade		51772-009		22526	

sheet index	revision sheet	A	A	A	A
		1	2	3	4

Pro/E

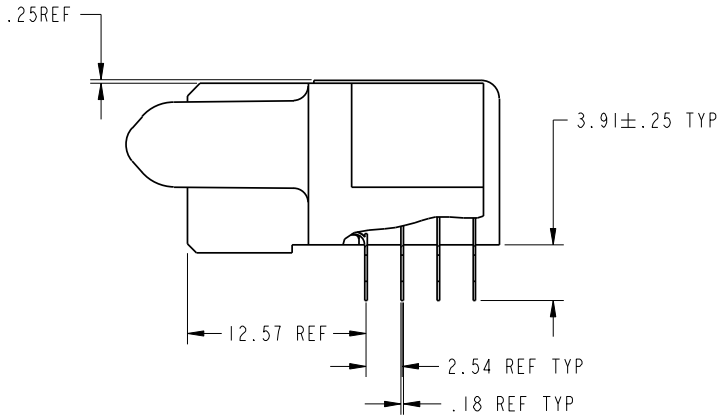
cage code 22526

Tous droits strictement reserves. Reproduction ou communication a des tiers interdite sous quelque forme que ce soit sans autorisation écrite du propriétaire. Propriete de c FCI. Droits de reproduction FCI.

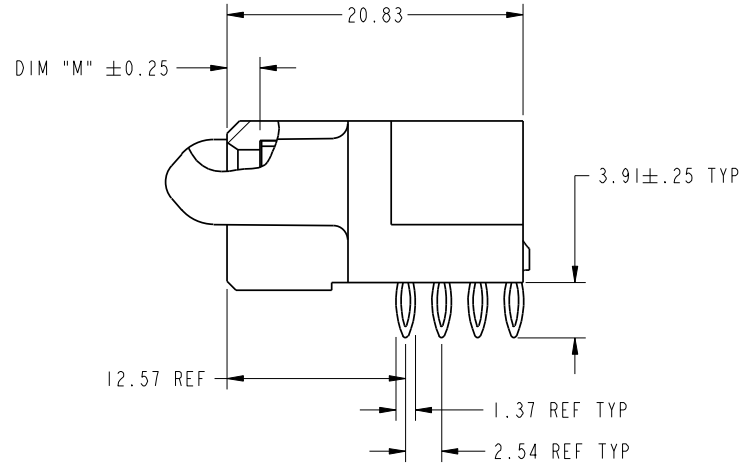


All rights strictly reserved. Reproduction or issue to third parties in any form whatever is not permitted without written authority from the proprietor. Property of FCI. Copyright FCI.

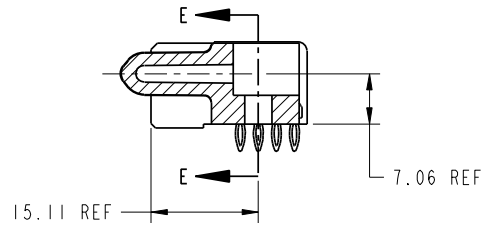
PRODUCT NUMBER
51772-009--
NOTE 3



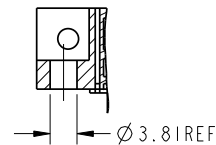
BROKEN-OUT SECTION A-A
SCALE 2:1



BROKEN-OUT SECTION B-B
SCALE 2:1



SECTION C-C



PARTIAL SECTION E-E

mat'l code				SEE NOTE 2		tolerances unless otherwise specified		CUSTOMER		FCI		www.fciconnect.com	
lfr	ecn no.	dr	date	linear	0.X ± 0.3	projection		COPY		title			
A				angles	0.XX ± 0.13	MM		MM		IIP + 24S			
				dr	0.XXX ± 0.051	1:1		scale		product family		code	
				enr	0° ± 2°					PwrBlade		213	
				chr						size		sheet	
				appd						51772-009		2 of 4	
sheet index	revision sheet												

cage code 22526

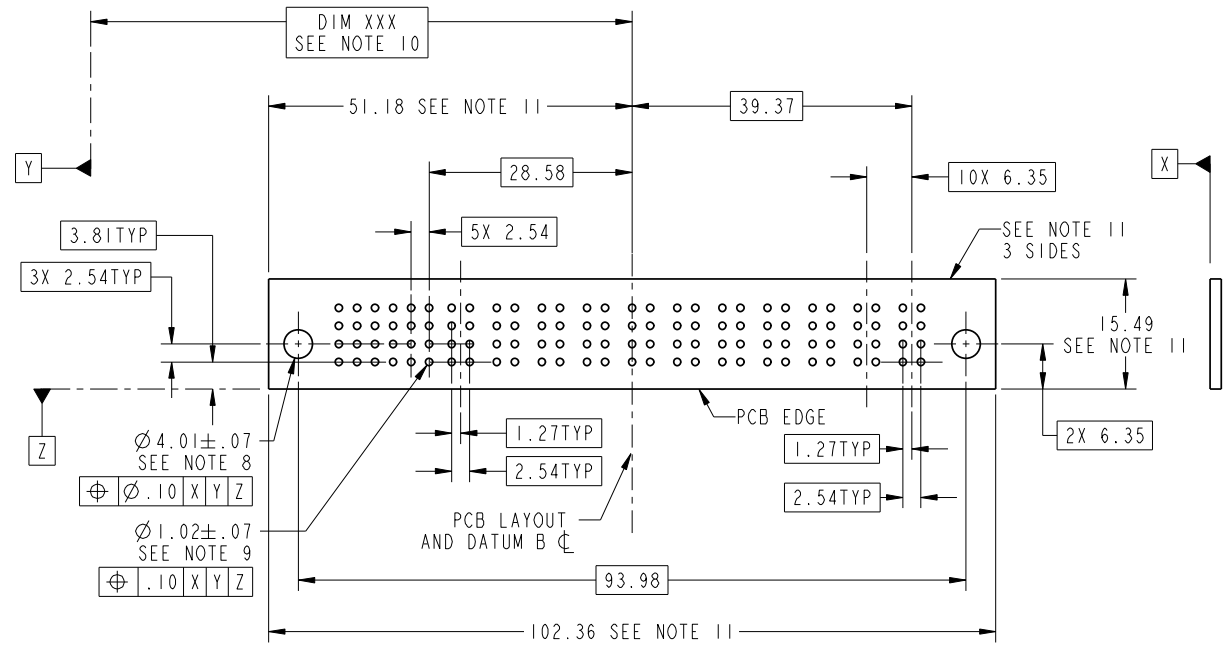
Pro/E

Tous droits strictement reserves. Reproduction ou communication a des tiers interdite sous quelque forme que ce soit sans autorisation écrite du propriétaire. Propriete de c FCI. Droits de reproduction FCI.



All rights strictly reserved. Reproduction or issue to third parties in any form whatever is not permitted without written authority from the proprietor. Property of FCI. Copyright FCI.

PRODUCT NUMBER
51772-009--
NOTE 3



mat'l code				SEE NOTE		tolerances unless otherwise specified		CUSTOMER		FCI		www.fciconnect.com		
lfr	ecr no.	dr	date	linear	0.X ± 0.3	projection		COPY		title				
A				angles	0.XX ± 0.13					IIP + 24S R/A PRESS FIT RECEPTACLE				
				dr	0.XXX ± 0.051					product family		code		
				enrg	0° ± 2°	MM				PwrBlade		213		
				chr	JULIA WANG 11/29/07	scale				size		sheet		
				appd	JEROME CHEN 11/29/07	1:1				dwg no		3 of 4		
					GARY HSIEH 11/29/07					51772-009				
					JOSEPH HSIA 11/29/07									
sheet index	revision sheet													

cage code 22526

Pro/E

Tous droits strictement reserves. Reproduction ou communication a des tiers interdite sous quelque forme que ce soit sans autorisation ecrite du propriétaire. Propriete de c FCI. Droits de reproduction FCI.



All rights strictly reserved. Reproduction or issue to third parties in any form whatever is not permitted without written authority from the proprietor. Property of FCI. Copyright FCI.

PRODUCT NUMBER
51772-009--
NOTE 3

NOTES:

1. DIMENSIONS AND TOLERANCES ARE IN ACCORDANCE WITH ASME Y14.5M, 1994 UNLESS OTHERWISE SPECIFIED.

CONNECTOR NOTES:

- 2. HOUSING MATERIAL: UL 94 V-0 GLASS FILLED
HIGH-TEMP THERMOPLASTIC
POWER CONTACT MATERIAL: COPPER ALLOY
SIGNAL PIN MATERIAL: COPPER ALLOY
- 3. PLATING:
51772-009, 51772-009LF PLATING SPEC. WAS SHOWN IN THE PRINT OF 10064183.
- 4. MANUFACTURER'S NAME, P/N, AND DATE CODE TO APPEAR ON THIS SURFACE.
- 5. PRODUCT SPECIFICATION GS-12-149.
APPLICATION SPECIFICATION BUS-20-067.
- 6. PACKAGED IN TRAYS.

PCB NOTES:

- 7. ALL HOLE DIAMETERS ARE FINISHED HOLE SIZE.
- 8. MOUNTING HOLES, WHERE APPLICABLE, ARE UNPLATED.
- 9. $\varnothing 1.151 \pm 0.025$ DRILLED HOLES PLATED WITH
0.008 MIN SnPb OR Sn OVER 0.03
TO 0.08 Cu PLATING TO ACHIEVE
 $\varnothing 1.02 \pm .07$ HOLE.
- 10. "DIM XXX" TO BE DETERMINED BY THE CUSTOMER.
- 11. CONNECTOR KEEP-OUT ZONE.
- 12. USE FCI CAM TOOL 430140-XXX
TO APPLY CONNECTOR TO PCB.

mat'l code				SEE NOTE 2		tolerances unless otherwise specified		CUSTOMER		FCI		www.fciconnect.com	
lfr	ecm no.	dr	date	linear	0.X ± 0.3	COPY		projection		title			
A					0.XX ± 0.13					IIP + 24S R/A PRESS FIT RECEPTACLE			
				angles	0° ± 2°					product family		PwrBlade	code
				dr	JULIA WANG	11/29/07			scale		size	dwg no	213
				enrg	JEROME CHEN	11/29/07			1:1		A	51772-009	sheet
				chr	GARY HSIEH	11/29/07							4 of 4
				appd	JOSEPH HSIA	11/29/07							
sheet index		revision sheet											

cage code 22526

Pro/E