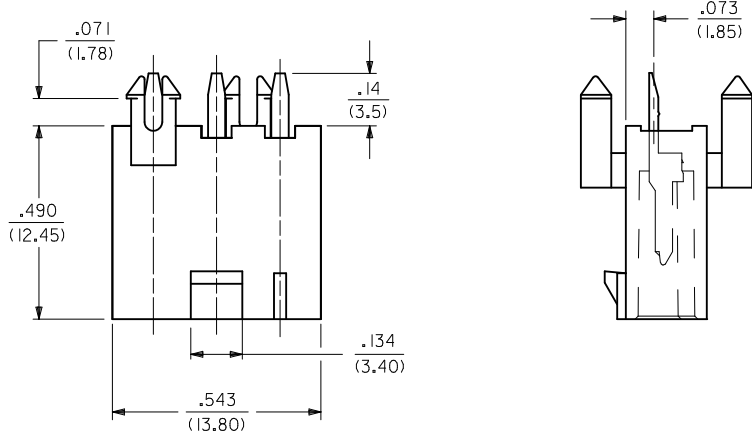


NOTES:

- MATERIALS:
  - HOUSING MATERIAL AND DRAIN HOLES OPTIONS:
    - 1=NYLON 6/6, UL94 V-2, COLOR: NATURAL, WITHOUT DRAIN HOLES
    - 2=NYLON 6/6, UL94 V-0, COLOR: NATURAL, WITHOUT DRAIN HOLES
    - 4=NYLON 6/6, UL94 V-0, COLOR: NATURAL, WITH DRAIN HOLES
  - TERMINAL:
    - COPPER ALLOY
- TERMINAL PLATING:
  - 1=.000100/(0.00254) MIN. MATTE TIN OVER .000050/(0.00127) MIN. NICKEL
- PRODUCT SPECIFICATION: PS-44476-001
- PACKAGING: TRAY PACKED PER PK-5566-002
- PART MATES WITH MINI-FIT JR. RECEPTACLE NO. 5557.
- PART IS NOT DESIGNED FOR CURRENT SHARING.
- PARTS ARE NOT TO BE MATED OR UN-MATED WHILE CIRCUITS ARE LIVE.
- PARTS PRODUCED AFTER JULY 1, 2004 WILL HAVE "HCS" MARKING INSTEAD OF BLACK STRIPE.
- PART CONFORMS TO CLASS "B" REQUIREMENTS OF COSMETIC SPECIFICATION PS-45499-002.

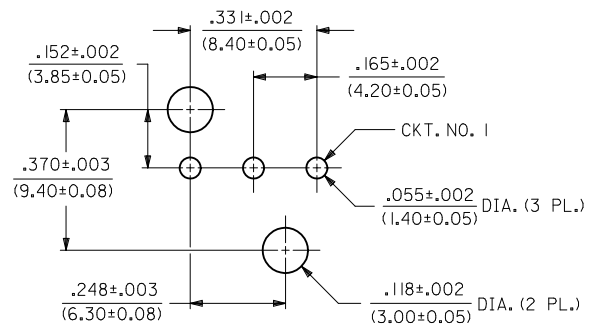
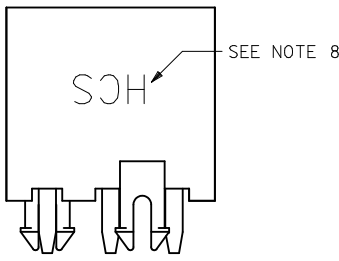
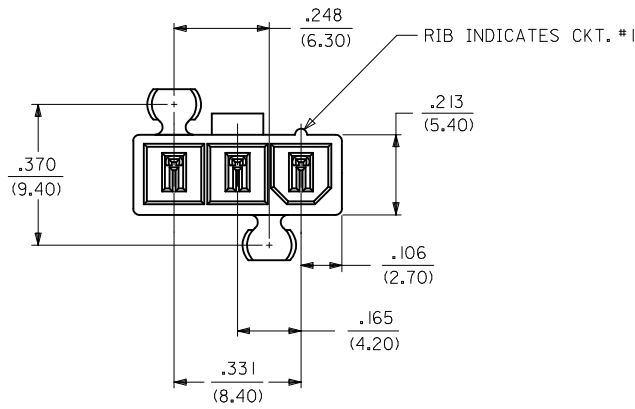
ITEM NO.	PLATING (SEE NOTE 2)	ASS'Y. OPT.
44472-0311		1
44472-0312		2
44472-0314		4



LEGEND

44472 - 03 \* \*

- BASE NO.
- CIRCUIT SIZE
- PLATING (SEE NOTE 2)
- HOUSING MAT'L. & OPTIONS
  - 1 = 94V-2, W/O DRAIN HOLES
  - 2 = 94V-0, W/O DRAIN HOLES
  - 3 = 94V-2, WITH DRAIN HOLES
  - 4 = 94V-0, WITH DRAIN HOLES



RECOMMENDED HOLE LAYOUT FOR .070/(1.78) MAX. THICK P. C. BOARD

CHANGE PLATING EC NO: UCP2012-1560 DRAWN: NGUYEN 2012/01/09 CHKD: J. BELL 2012/01/09 APPR: FSM/TH 2012/02/02	QUALITY SYMBOLS ▽=0 ▽=0 ▽=0	GENERAL TOLERANCES (UNLESS SPECIFIED)		DIMENSION STYLE IN/MM	SCALE 4:1	DESIGN UNITS METRIC	THIRD ANGLE PROJECTION
		mm	INCH	DRAWN BY GEP	DATE 1994/07/25	TITLE VERT. HDR. ASS., 3 CKT. SINGLE ROW, WITH & W/O DRAIN HOLES, MINI-FIT	
		4 PLACES ± --- ± ---		CHECKED BY RJF	DATE 1994/07/25	MOLEX INCORPORATED	
		3 PLACES ± --- ± .010		APPROVED BY RJF	DATE 1994/07/25	DOCUMENT NO. SDA-44472-03**	
		2 PLACES ± 0.25 ± .015		MATERIAL NO. SEE CHART		SHEET NO. 1 OF 1	
		1 PLACE ± 0.38 ± ---		DRAFT WHERE APPLICABLE MUST REMAIN WITHIN DIMENSIONS		THIS DRAWING CONTAINS INFORMATION THAT IS PROPRIETARY TO MOLEX INCORPORATED AND SHOULD NOT BE USED WITHOUT WRITTEN PERMISSION	