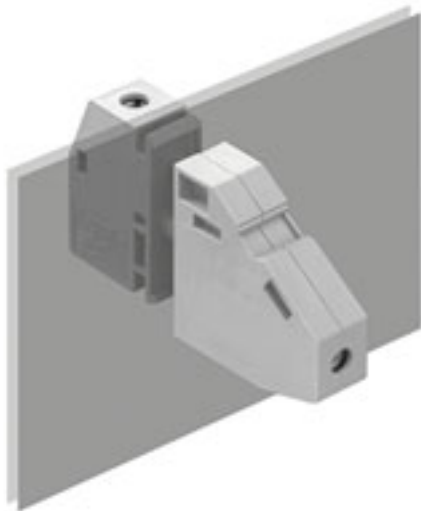


OMNIMATE Power - series WGK WGKV 10

Weidmüller Interface GmbH & Co. KG
 Klingenbergstraße 16
 D-32758 Detmold
 Germany
 Fon: +49 5231 14-0
 Fax: +49 5231 14-292083
 www.weidmueller.com



The WGK finger-proof-insulated enclosures are especially suitable as industrial electronic enclosures for frequency converters, power supplies or filter components which offer a convenient and reliable form of connection internally and externally.

General ordering data

Order No.	1934060000
Type	WGKV 10
Version	OMNIMATE Power - series WGK, Feedthrough terminal, Rated cross-section: 10 mm ² , Screw connection, Grey, Direct mounting, Feed-through (bushing)
GTIN (EAN)	4032248588633
Qty.	50 pc(s).

**OMNIMATE Power - series WGK
WGKV 10**

Weidmüller Interface GmbH & Co. KG
Klingenbergstraße 16
D-32758 Detmold
Germany
Fon: +49 5231 14-0
Fax: +49 5231 14-292083
www.weidmueller.com

Technical data
Dimensions and weights

Length	49.8 mm	Width	10.1 mm
Height	32.8 mm	Height of lowest version	32.8 mm
Net weight	20.08 g		

2 clampable conductors with identical cross-section

Wire connection cross section AWG, max.	AWG 6	Wire connection cross section AWG, min.	AWG 24
---	-------	---	--------

Additional connection

Blade size	0.8 x 4.0 mm	Clamping screw	M 4
Rated current	57 A	Tightening torque, max.	1.8 Nm
Tightening torque, min.	1.2 Nm		

Conductors suitable for clamping

Cross-section for connected conductor, finely stranded with wire-end ferrules and plastic collars DIN 46228/4, rated connection, min.	0.5 mm ²	Twin wire-end ferrules, max.	6 mm ²
Twin wire-end ferrules, min.	0.5 mm ²	Wire connection cross section AWG, max.	AWG 6
Wire connection cross section AWG, min.	AWG 24	Wire connection cross section, finely stranded with wire-end ferrules DIN 46228/1, rated connection, max.	10 mm ²
Wire connection cross section, finely stranded with wire-end ferrules DIN 46228/1, rated connection, min.	0.5 mm ²	Wire connection cross section, finely stranded, max.	10 mm ²
Wire connection cross section, solid core max. rated connection	16 mm ²	Wire connection cross section, solid core, max. rated connection	0.5 mm ²
Wire connection cross section, stranded, rated connection, max.	16 mm ²	Wire connection cross section, stranded, rated connection, min.	0.5 mm ²
Wire connection cross-section, finely stranded with wire-end ferrules and plastic collars DIN 46228/4, rated connection, max.	10 mm ²	Stripping length	11 mm

Rated data to IEC

Current at maximum wires	76 A	Pollution severity	3
Rated cross-section	10 mm ²	Rated current	57 A
Rated impulse withstand voltage	6 kV	Rated voltage	250 V
Standards	IEC 60947-7-1		

Technical data

Blade size	0.8 x 4.0 mm	Clamping range, rated connection, max.	16 mm ²
Clamping range, rated connection, min.	0.21 mm ²	Clamping screw	M 4
Gauge to IEC 60947-1	B6	Number of connections	2
Stripping length, rated connection	11 mm	Tightening torque, max.	1.8 Nm
Tightening torque, min.	1.2 Nm		

**OMNIMATE Power - series WGK
WGKV 10**

Weidmüller Interface GmbH & Co. KG
 Klingenbergstraße 16
 D-32758 Detmold
 Germany
 Fon: +49 5231 14-0
 Fax: +49 5231 14-292083
 www.weidmueller.com

Technical data**Technical specification**

Colour of insulating material	Grey	Connection direction	Bottom
End cover plate required	No	Installation advice	Direct mounting, Feed-through (bushing)
Open sides	closed	Product family	OMNIMATE Power - series WGK
Type of mounting	Direct mounting		

CSA ratings data

Certificate No. (CSA)	200039-1830694	Voltage size B (CSA)	300 V
Current size B (CSA)	65 A	Wire cross section max. (CSA)	6 AWG
Wire cross section min. (CSA)	24 AWG		

UL ratings data

Certificate No. (cURus)	E60693VOL1SEC84	Conductor size Factory wiring max. (cURus)	6 AWG
Conductor size Factory wiring min. (cURus)	24 AWG	Conductor size Field wiring max. (cURus)	6 AWG
Conductor size Field wiring min. (cURus)	24 AWG	Current size B (cURus)	65 A
Current size C (cURus)	65 A	Voltage size B (cURus)	300 V
Voltage size C (cURus)	300 V		

Material data

Material	Wemid	Colour	Grey
UL 94 flammability rating	V-0		

Classifications

ETIM 3.0	EC001283	UNSPSC	30-21-18-11
eClass 5.1	27-14-11-34	eClass 6.2	27-14-11-34
eClass 7.1	27-14-11-34		

Notes

Notes • Metal walls: 1 #96 2.5 mm = 400 V; 2.5 #96 6 mm = 250 V; plastic walls: 1 #96 6 mm = 500 V

Approvals

Approvals



ROHS Conform

**OMNIMATE Power - series WGK
WGKV 10**

Weidmüller Interface GmbH & Co. KG
Klingenbergstraße 16
D-32758 Detmold
Germany
Fon: +49 5231 14-0
Fax: +49 5231 14-292083
www.weidmueller.com

Drawings