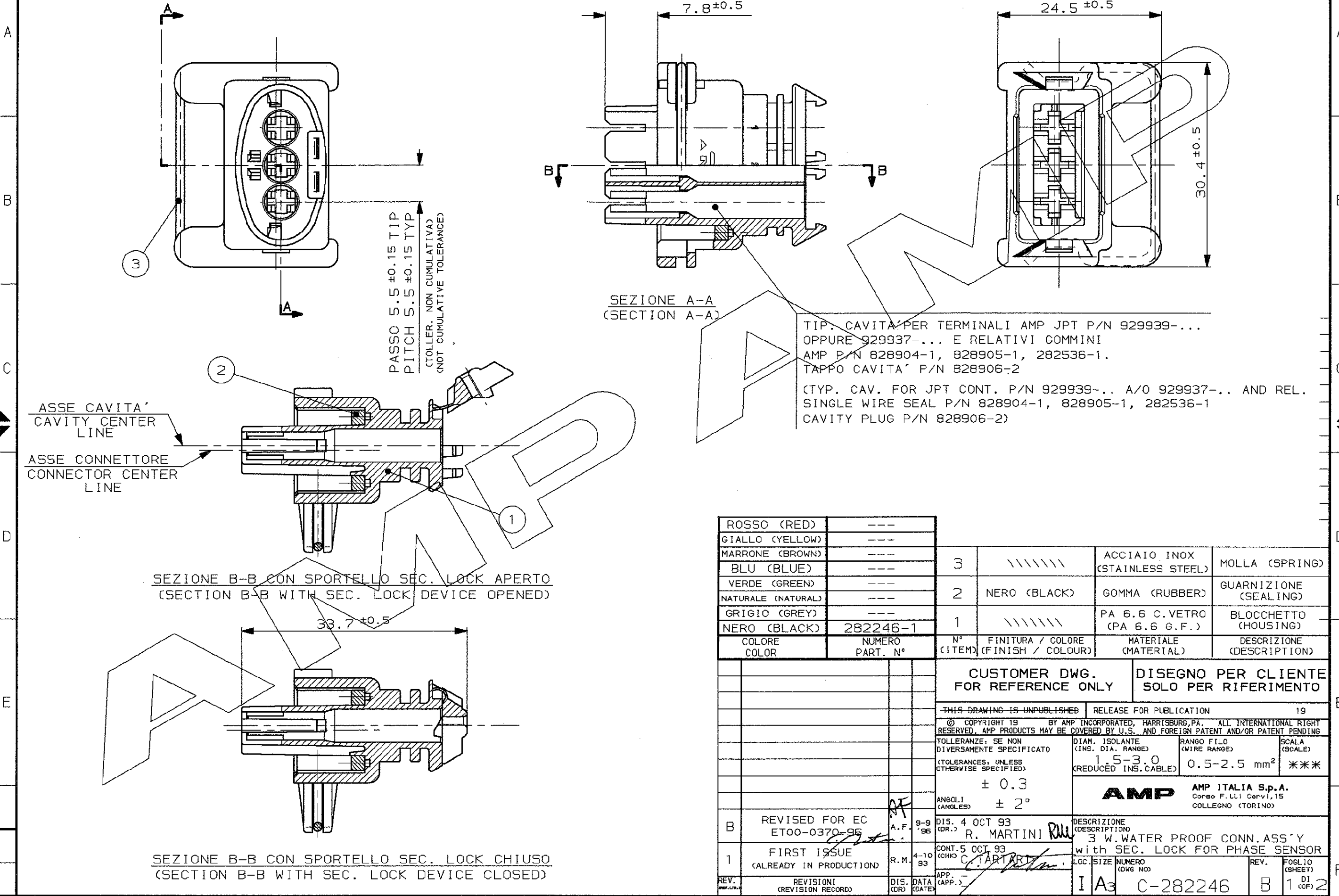


CONNETTORE TIPO A (CON MOLLA DI RITEGNO ESTERNA)
CONNECTOR TYPE A (WITH EXTERNAL SPRING)

SCALA NON IMPEGNATIVA (DO NOT SCALE)
DIMENSIONI IN mm METRIC
(DIMENSIONS IN) PROIEZIONE EUROPEA (EUROPEAN PROJECTION)

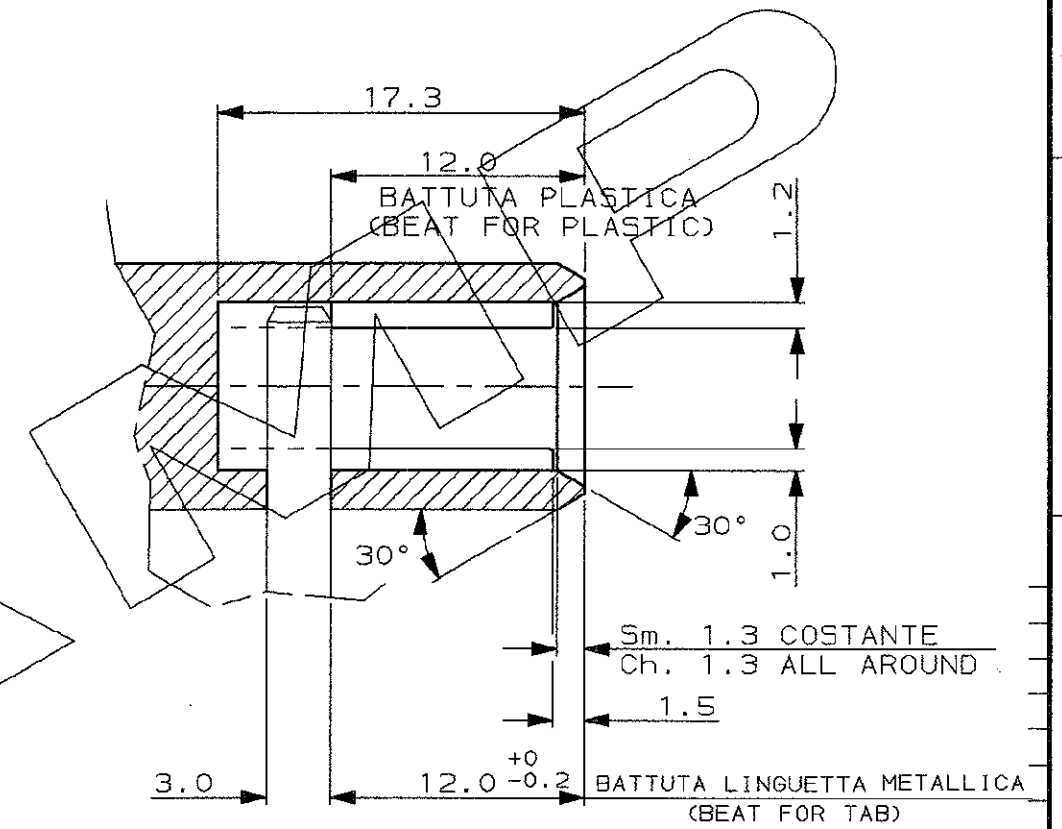
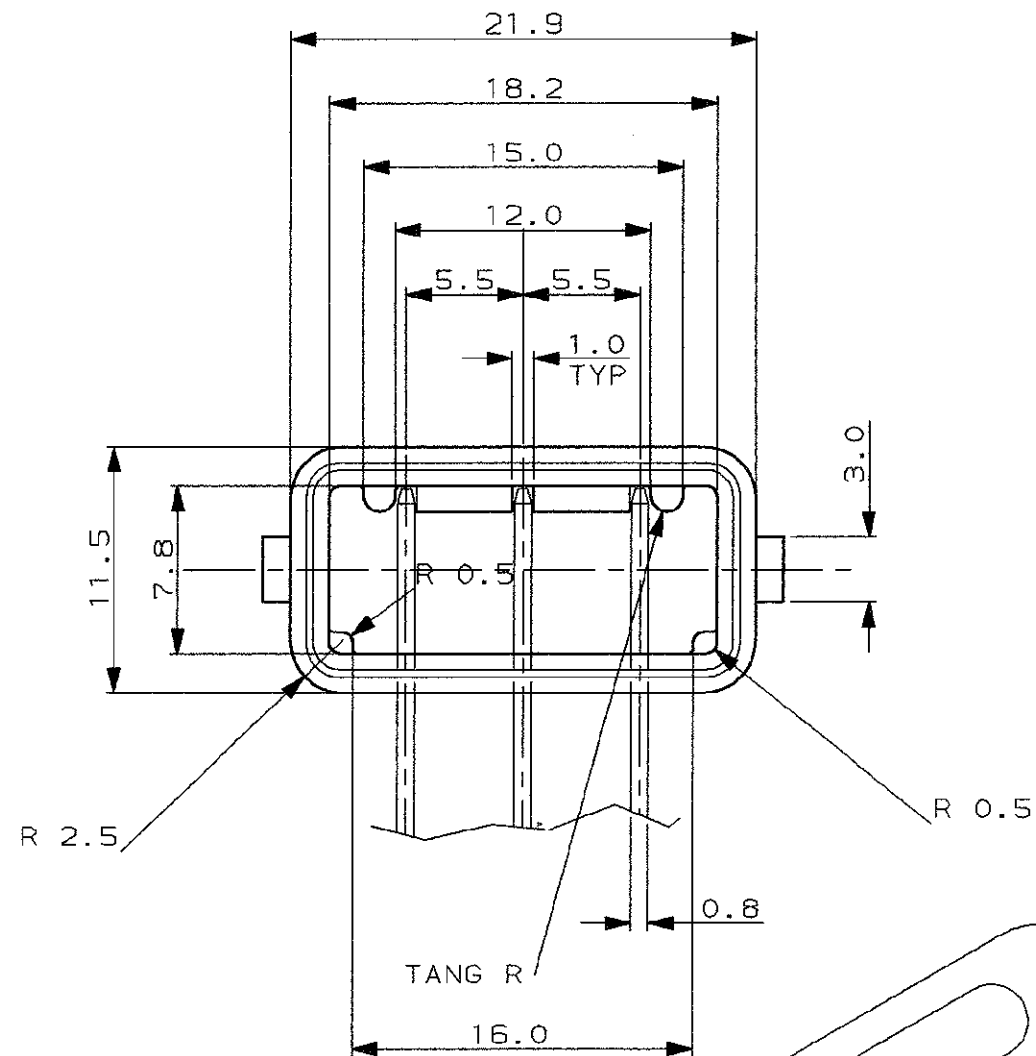


TIP. CAVITA' PER TERMINALI AMP JPT P/N 929939-...
OPPURE 929937-... E RELATIVI GOMMINI
AMP P/N 828904-1, 828905-1, 282536-1.
TAPPO CAVITA' P/N 828906-2
(TYP. CAV. FOR JPT CONT. P/N 929939-... A/O 929937-... AND REL.
SINGLE WIRE SEAL P/N 828904-1, 828905-1, 282536-1
CAVITY PLUG P/N 828906-2)

COLORE COLOR	NUMERO PART. N°	N° (ITEM)	FINITURA / COLORE (FINISH / COLOUR)	MATERIALE (MATERIAL)	DESCRIZIONE (DESCRIPTION)
ROSSO (RED)	---				
GIALLO (YELLOW)	---				
MARRONE (BROWN)	---	3	///////	ACCIAIO INOX (STAINLESS STEEL)	MOLLA (SPRING)
BLU (BLUE)	---				
VERDE (GREEN)	---	2	NERO (BLACK)	GOMMA (RUBBER)	GUARNIZIONE (SEALING)
NATURALE (NATURAL)	---				
GRIGIO (GREY)	---	1	///////	PA 6.6 C.VETRO (PA 6.6 G.F.)	BLOCCHETTO (HOUSING)
NERO (BLACK)	282246-1				

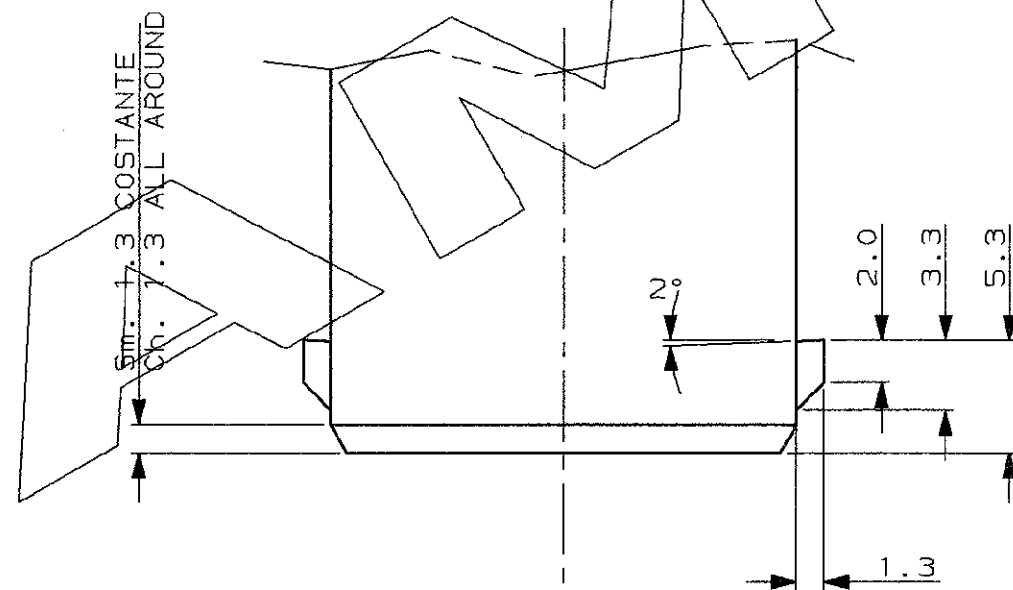
CUSTOMER DWG. FOR REFERENCE ONLY		DISEGNO PER CLIENTE SOLO PER RIFERIMENTO	
THIS DRAWING IS UNPUBLISHED		RELEASE FOR PUBLICATION	
© COPYRIGHT 1993 BY AMP INCORPORATED, HARRISBURG, PA. ALL INTERNATIONAL RIGHT RESERVED. AMP PRODUCTS MAY BE COVERED BY U.S. AND FOREIGN PATENT AND/OR PATENT PENDING			
TOLLERANZE: SE NON DIVERSAMENTE SPECIFICATO (TOLERANCES, UNLESS OTHERWISE SPECIFIED)	DIAM. ISOLANTE (INS. DIA. RANGE) 1.5-3.0 (REDUCED INS. CABLE)	RANGO FILO (WIRE RANGE) 0.5-2.5 mm ²	SCALA (SCALE) ***
± 0.3	ANGOLI (ANGLES) ± 2°		
B REVISED FOR EC ET00-0370-96 A.F. '96	DIS. 4 OCT 93 (DR.) R. MARTINI RW	DESCRIZIONE (DESCRIPTION) 3 W. WATER PROOF CONN. ASS'Y with SEC. LOCK FOR PHASE SENSOR	
1 FIRST ISSUE (ALREADY IN PRODUCTION) R.M. 4-10 93	CONT. 5 OCT 93 (CHK) C. TARTAGLIA	LOC. I A3	NUMERO (DWG NO) C-282246
REV. (REV.)	REVISIONI (REVISION RECORD)	DIS. (DR.)	DATA (DATE)
APP. (APP.)		REV. B	FOGLIO (SHEET) 1 DI (OF) 2

DISTRIBUZIONE (PRINT/DIST.)



NOTE (NOTES):

- 1) MATERIALE CONTATTI: LEGA DI RAME STAGNATA, ES. OTTONE STAGNATO.
(TAB MATERIAL: TINNED CU ALLOY, E.G. TINNED BRASS).
- 2) MATERIALE BLOCCHETTO: TERMOPLASTICO CARICATO FIBRA VETRO.
(HOUSING MATERIAL: THERMOPLASTIC GLASS FIBER FILLED).
- 3) SOLO PER RIF.: CONTROPARTE SENSORE DI FASE (BOSCH).
(ONLY FOR REF.: COUNTERPART PHASE SENSOR BOSCH).



FINITURA / COLORE (FINISH / COLOUR)	MATERIALE (MATERIAL)	NUMERO (PART NUMBER)
CUSTOMER DWG. FOR REFERENCE ONLY	DISEGNO PER CLIENTE SOLO PER RIFERIMENTO	
THIS DRAWING IS UNPUBLISHED		RELEASE FOR PUBLICATION 19
© COPYRIGHT 19 BY AMP INCORPORATED, HARRISBURG, PA. ALL INTERNATIONAL RIGHT RESERVED. AMP PRODUCTS MAY BE COVERED BY U.S. AND FOREIGN PATENT AND/OR PATENT PENDING		
TOLLERANZE: SE NON DIVERSAMENTE SPECIFICATO (TOLERANCES, UNLESS OTHERWISE SPECIFIED)	DIAM. ISOLANTE (INS. DIA. RANGE)	RANGO FILO (WIRE RANGE)
± 0.1	SEE SH. 1	SEE SH. 1
ANGOLI (ANGLES)	SCALA (SCALED)	
± 2°	3:1	
DIS. 4 OCT 93 (DR.) R. MARTINI	DESCRIZIONE (DESCRIPTION) 3 W. WATER PROOF CONN. ASS'Y with SEC. LOCK FOR PHASE SENSOR	
CONT. 5 OCT 93 (CHK) C. TARTARI	LOC. SIZE (DWG NO)	REV. FOGLIO (SHEET)
SEE SHEET 1 OF 2	I A ₃ C - 282246	- 2 (OF) 2
REV. (REV. NO.)	REVISIONI (REVISION RECORD)	DIS. DATA (DR. DATE)

DISTRIBUZIONE
(PRINT DIST.)