

THIS DRAWING IS UNPUBLISHED.

RELEASED FOR PUBLICATION

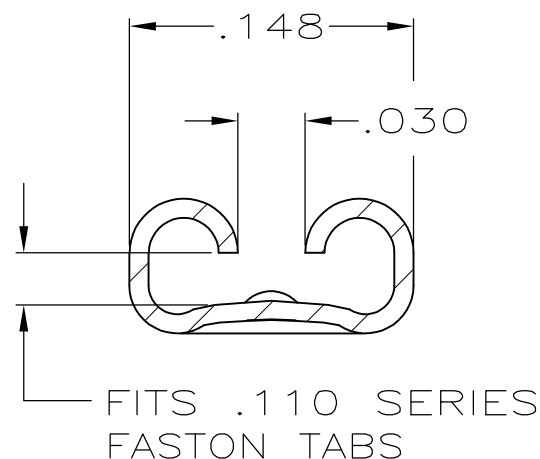
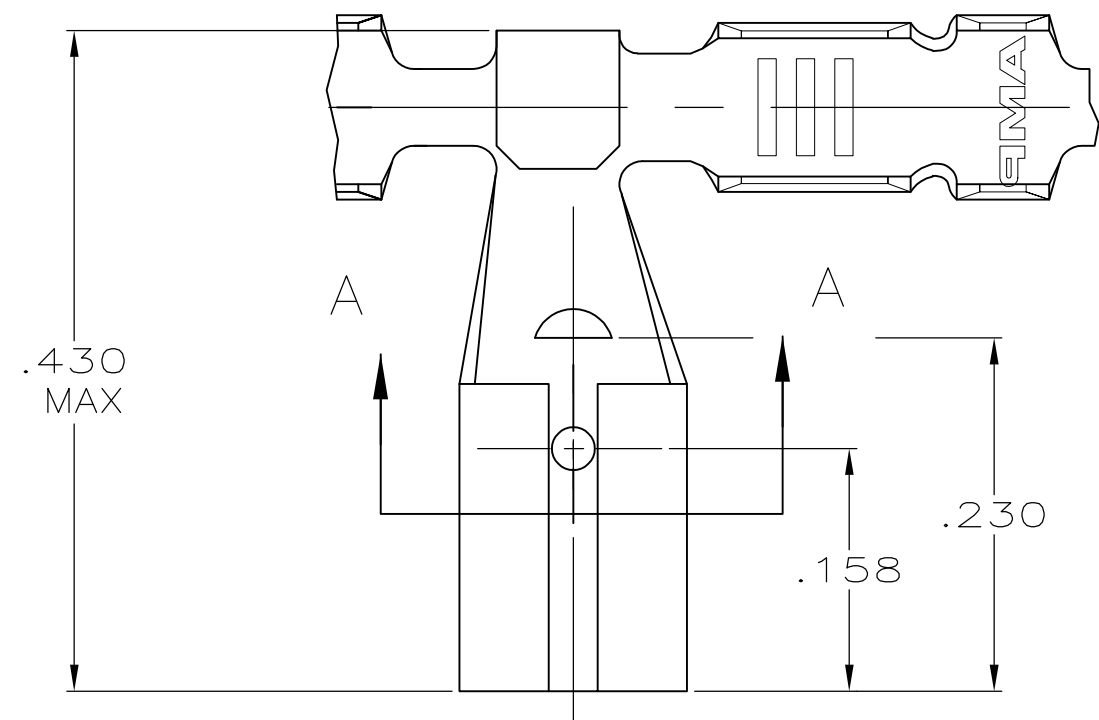
ALL RIGHTS RESERVED.

© COPYRIGHT - By -

LOC AF DIST 50

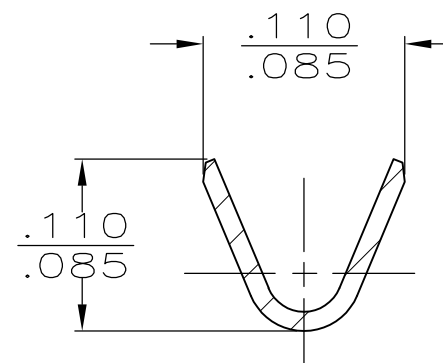
REVISIONS

P	LTR	DESCRIPTION	DATE	DWN	APVD
	D	REVISED PER ECR-12-013459	04JAN2013	KH	PD

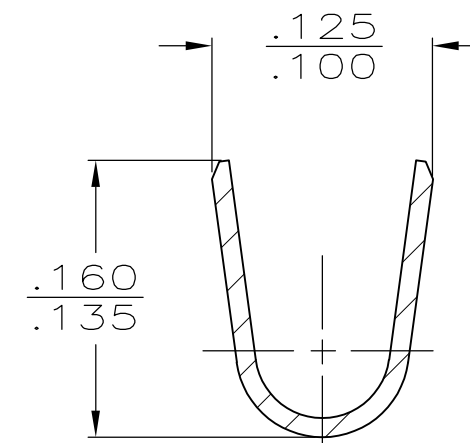


SECTION A-A SCALE 10:1

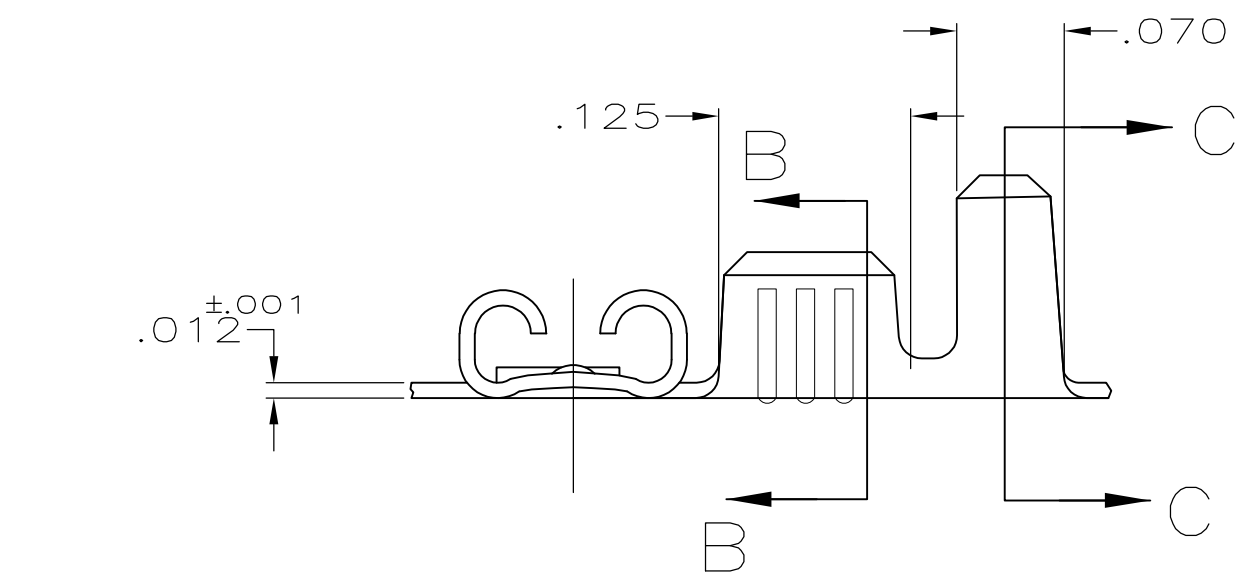
1 CONTINUOUS STRIP ON REELS




SECTION B-B SCALE 10:1



SECTION C-C SCALE 10:1



-	.060-.100 DIA	22-18 AWG	.020	61070-2
TIN				61070-1
FINISH	INSULATION RANGE	WIRE SIZE	MATING TAB THK ±.001	PART NO

THIS DRAWING IS A CONTROLLED DOCUMENT.		DWN JR RUTH 4/22/91	 TE Connectivity RECEPTACLE, FASTON, FLAG, .110 SERIES											
DIMENSIONS: INCHES		CHK MS FEHER 4/22/91												
TOLERANCES UNLESS OTHERWISE SPECIFIED:		APVD C MEYERS 4/22/91												
<table border="1"> <tr><td>0 PLC</td><td>± -</td></tr> <tr><td>1 PLC</td><td>± -</td></tr> <tr><td>2 PLC</td><td>± -</td></tr> <tr><td>3 PLC</td><td>± .015</td></tr> <tr><td>4 PLC</td><td>± -</td></tr> <tr><td>ANGLES</td><td>± 1°</td></tr> </table>		0 PLC				± -	1 PLC	± -	2 PLC	± -	3 PLC	± .015	4 PLC	± -
0 PLC	± -													
1 PLC	± -													
2 PLC	± -													
3 PLC	± .015													
4 PLC	± -													
ANGLES	± 1°													
MATERIAL BRASS	FINISH SEE TABLE	PRODUCT SPEC -	APPLICATION SPEC -	WEIGHT -	RESTRICTED TO -									
CUSTOMER DRAWING			SIZE A3	CAGE CODE 00779	DRAWING NO C-61070									
			SCALE 8:1	SHEET 1 OF 1	REV D									