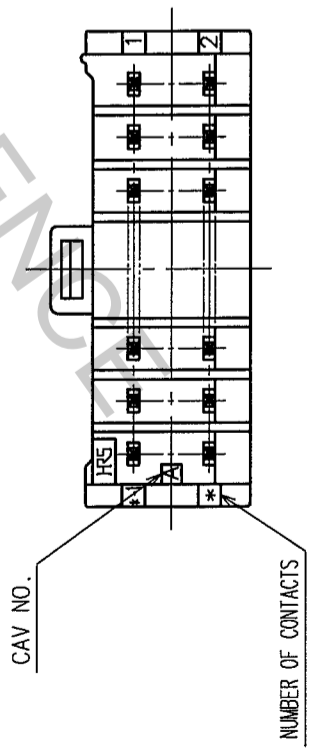
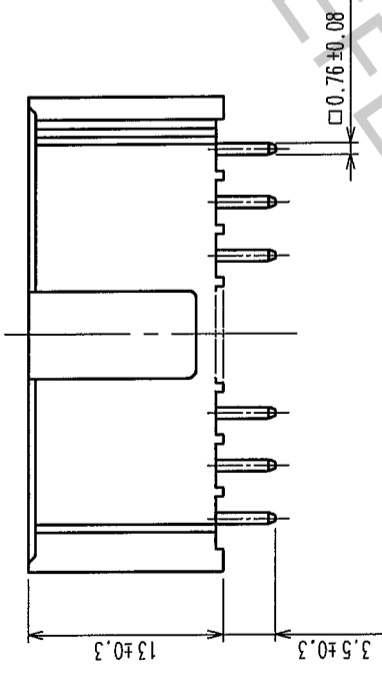
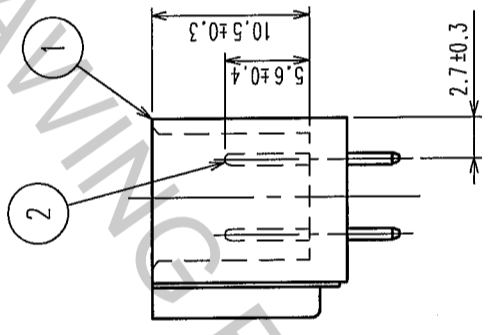
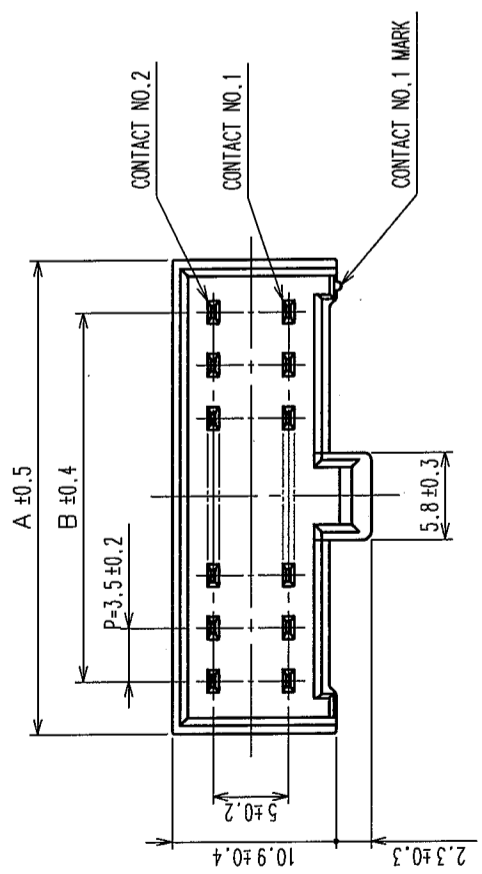


COUNT	DESCRIPTION OF REVISIONS	BY	CHKD	DATE	COUNT	DESCRIPTION OF REVISIONS	BY	CHKD	DATE
△					△				
△					△				
△					△				



NOTE 1 : RECOMMENDED PC BOARD HOLE DIAMETER $\phi 1.3 \pm 0.1$

CODE NO.	PART NO.	NUMBER OF CONTACTS	A	B
CL547-0083-2-06	MDF6-4DP-3.5DSA(06)	4	10.5	3.5
CL547-0084-5-06	MDF6-6DP-3.5DSA(06)	6	14.0	7.0
CL547-0085-8-06	MDF6-8DP-3.5DSA(06)	8	17.5	10.5
CL547-0086-0-06	MDF6-10DP-3.5DSA(06)	10	21.0	14.0
CL547-0087-3-06	MDF6-12DP-3.5DSA(06)	12	24.5	17.5
CL547-0088-6-06	MDF6-14DP-3.5DSA(06)	14	28.0	21.0
CL547-0089-9-06	MDF6-16DP-3.5DSA(06)	16	31.5	24.5
CL547-0090-8-06	MDF6-18DP-3.5DSA(06)	18	35.0	28.0
CL547-0091-0-06	MDF6-20DP-3.5DSA(06)	20	38.5	31.5

NO.	MATERIAL	FINISH, REMARKS	NO.	MATERIAL	FINISH, REMARKS
1	POLYAMIDE	WHITE, UL94V-0	2	BRASS	CONTACT AREA: GOLD PLATED 0.2 μ m min LEAD AREA: TIN-COPPER PLATED 1 μ m min UNDER PLATING: NICKEL 1 μ m min

CODE NO. (OLD)	DRAWN	DESIGNED	CHECKED	APPROVED	RELEASED
CL	M. Nakamoto '04.04.16	H. Umehara 04-04-16	J. Ono 04-04-16	J. Ono 04-04-16	J. Ono 04-04-16

DRAWING NO.	PART NO.
EDC3-160046-11	MDF6-*DP-3.5DSA(06)

SCALE	UNITS	CODE NO.
10:1	mm	CL547-

TO