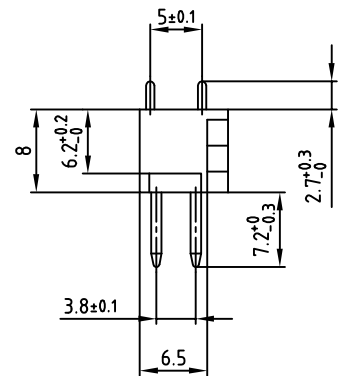
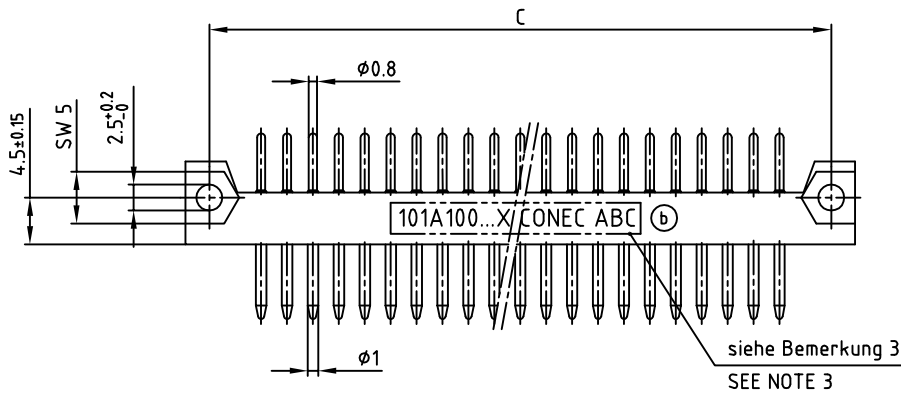
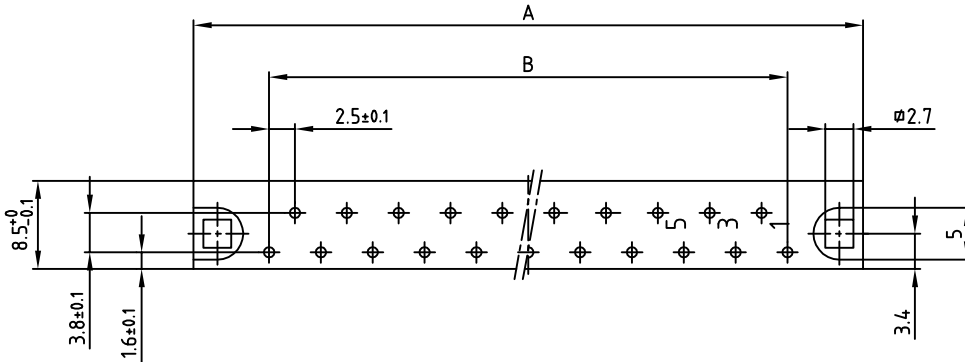
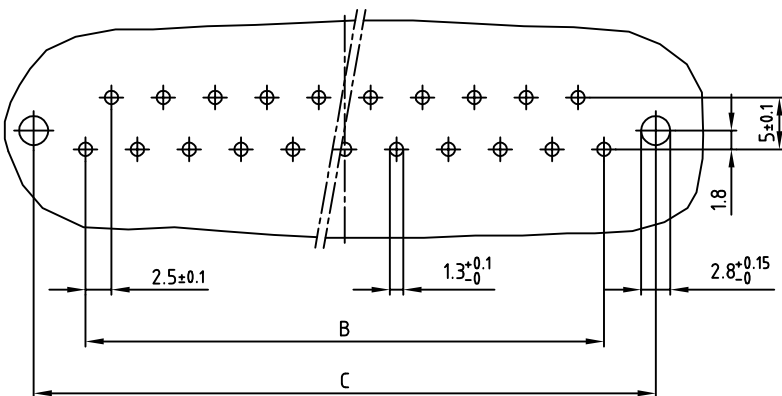


used for: DIN 41617

Art.-Nr. Part-No.	Polzahl No. of pos.	A ±0.2	B ±0.1	C ±0.1
101A10019X	13	44.6	12x2.5=30	4.0
101A10029X	21	64.6	20x2.5=50	6.0
101A10039X	31	89.6	30x2.5=75	8.5



Leiterplattenbohrbild
P.C.B.-HOLE DRILLINGS



Bemerkung:

1. Isolierkörper: PC GF UL 94 V-1, grau (b)
2. Kontakte: Cu-Legierung
Veredelung: Au über Ni
3. Bedruckung: Art.-Nr. CONEC ABC

NOTES:

1. INSULATOR: PC GF UL 94 V-1, GREY (b)
2. CONTACTS: COPPER ALLOY
PLATING: GOLD FLASH over NICKEL
3. CONNECTOR IS PART MARKED: PART-NO. CONEC ABC

Directive 2002/95/EC RoHS compliant

THIS DRAWING MAY NOT BE COPIED OR REPRODUCED IN ANY WAY, AND MAY NOT BE PASSED ON TO A THIRD PARTY, WITHOUT WRITTEN PERMISSION. OWNERSHIP AND COPYRIGHT OF CONEC GmbH DO NOT ALTER CAD DRAWING BY HAND

rev.	description	date	name
3 x b	Ä 4154	08.11.2011	K.H.
a	Original		

tolerance		dim. in mm	
2002	date	name	
drawn	22.11.	Parei	
appd.	22.11.	Kühle	
norm	DIN 41617		
d-old			

scale:	2:1	
material:	SEE NOTES	
title:	MALE CONNECTOR 13-31pos. SPECIAL INSULATOR with straight solder pins	
dwg no:	10K1A003	DIN-A 3 sh: 1/1
part no:	SEE TABLE	