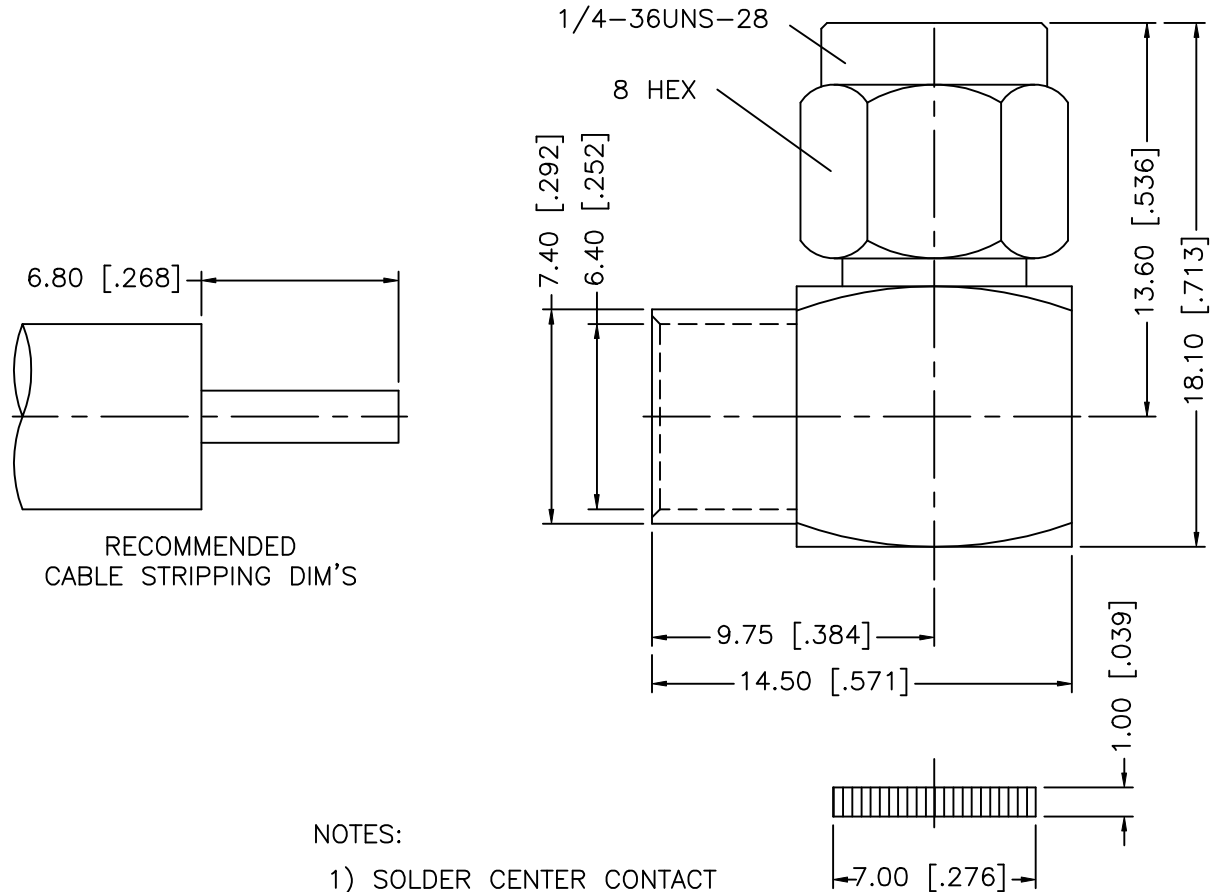


REV.	DATE	DESCRIPTION
NC	06/11/02	INITIAL RELEASE



NOTES:  
1) SOLDER CENTER CONTACT

8				UNLESS OTHERWISE SPECIFIED DIMENSIONS ARE IN MILLIMETERS  DIMENSIONS IN [ ] ARE IN INCHES FOR CUSTOMER REFERENCE ONLY  UNLESS OTHERWISE SPECIFIED TOLERANCES FOR INCHES ARE: .XXX = ± 0.005" .XX = ± 0.010" .X = ± 0.020"	APPROVALS	DATE	<b>Amphenol - Connex</b> CONNECTOR CORPORATION				
7					DRAWN	G.R.S.					06/11/02
6						CHECKED		TITLE			
5						ISSUED		SMA R/A DIRECT SOLDER PLUG (FOR .250" SEMI RIGID CABLE)			
4	COVER	BRASS	GOLD	DO NOT SCALE DRAWING			SIZE	FSCM NO.	DWG. NO.	REV.	
3	CONTACT PIN	BRASS	GOLD		A	99001	132344.DWG	NC			
2	INSULATOR	TEFLON	NATURAL								
1	HOUSING/BODY	BRASS	GOLD								
	DESCRIPTION	MATERIAL	FINISH			SCALE	NA	PART NO.	132344	SHEET	1 OF 1