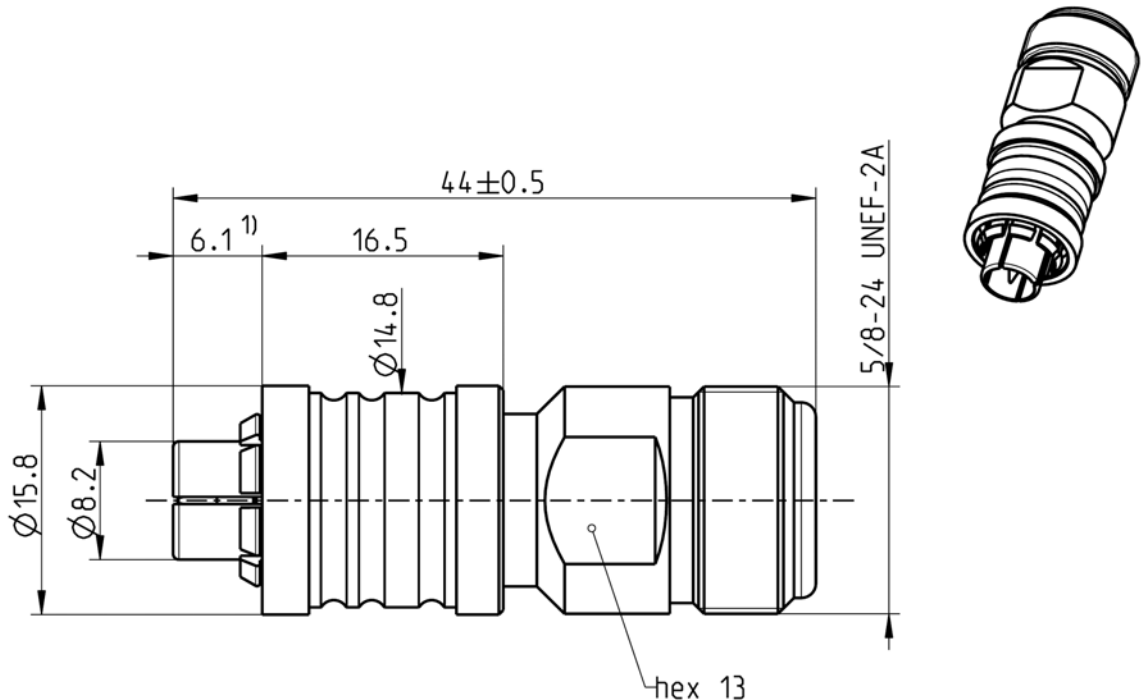


adaptor
SnapN 50 Ω PLUG – N 50 Ω jack

53QS153-K00N5



1) mated condition

All dimensions are in mm; tolerances according to ISO 2768 m-H

Interface

SnapN side compatible to
N side according to

IEC 60169-16, MIL-PRF-39012, CECC 22210
IEC 60169-16, MIL-PRF-39012, CECC 22210

Documents

N/A

Material and plating

Connector parts

Center contact
Outer contact
Body
Dielectric

Material

Spring bronze
Brass
Brass
PTFE

Plating

AuroDur®, gold plated
White bronze(e.g. Optalloy®)
White bronze(e.g. Optalloy®)

adaptor
SnapN 50 Ω PLUG – N 50 Ω jack

53QS153-K00N5

Electrical data

Impedance	50 Ω
Frequency	DC to 11 GHz
Return loss	≥ 32 dB, DC to 3 GHz ≥ 25 dB, 3 to 6 GHz
Insertion loss	≤ 0.05 dB x √ f [GHz]
Insulation resistance	≥ 5 x10 ³ MΩ
Center contact resistance	≤ 1.0 mΩ
Outer contact resistance	≤ 1.0 mΩ
Test voltage	2500 V rms
Working voltage	500 V rms
RF-leakage	≤ -90 dB, 100 MHz to 3 GHz ≤ -80 dB, 3 GHz to 6 GHz
Intermodulation (3 rd order)	≤ -155 dBc @ 1.8 GHz (2 x 43 dBm)

Mechanical data

	SnapN side	N side
Mating cycles	min. 200	min. 500
Center contact captivation: axial	≥ 28 N	≥ 28 N
Engagement force	30 N (typ.)	N/A
Disengagement force	30 N (typ.)	N/A
Coupling test torque	N/A	max. 1.7 Nm
Recommended torque	N/A	0.7 Nm to 1.1 Nm

Environmental data

Temperature range	-45°C to +125°C
Thermal shock	MIL-STD-202, Meth. 107, Cond. B
Corrosion	MIL-STD-202, Meth. 101, Cond. B
Vibration	MIL-STD-202, Meth. 204, Cond. B
Shock	MIL-STD-202, Meth. 213, Cond. I
Moisture resistance	MIL-STD-202, Meth. 106
RoHS	compliant

Tooling

N/A

Suitable cables

N/A

Weight

Weight 41 g/pce

While the information has been carefully compiled to the best of our knowledge, nothing is intended as representation or warranty on our part and no statement herein shall be construed as recommendation to infringe existing patents. In the effort to improve our products, we reserve the right to make changes judged to be necessary.

Draft	Date	Approved	Date	Rev.	Engineering change number	Name	Date
A. Fellner	08/06/06	J_Gramsamer	31.03.15	c00	15-0397	J_Krautenb.	31.03.15
Rosenberger Hochfrequenztechnik GmbH & Co. KG P.O.Box 1260 D-84526 Tittmoning Germany www.rosenberger.de					Tel.: +49 8684 18-0 email: info@rosenberger.de		Page 2 / 2