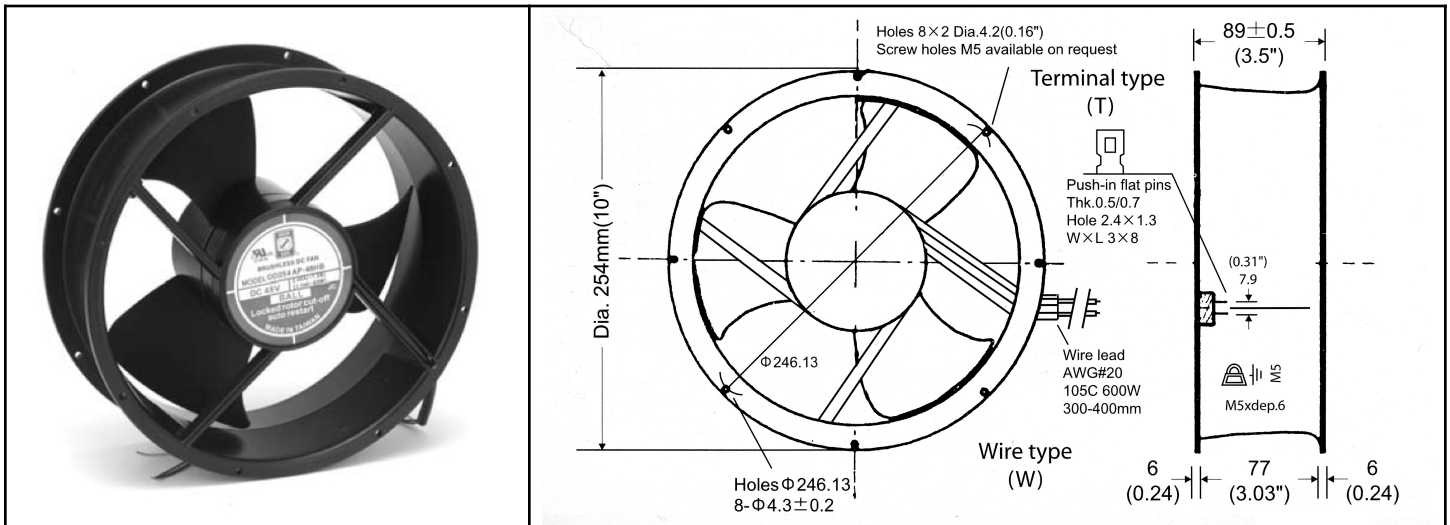


OD254AP-24MB



DC Fan 24V
254x89mm (10.0" x 3.50")



Frame	Diecast Aluminum	<p>Life Expectancy (L10) Ball - 40,000 hrs (60C)</p> <p>Operating Temperature Ball: -20C ~ 75C</p>	
Impeller	PBT, UL94V-O plastic		
Connection	2x Lead wires 20AWG or terminals		
Motor	Brushless DC, auto restart, impedance and polarity protected		
Bearing System	Ball bearing		
Insulation Resistance	10M ohm between leadwire and frame (500VDC)		
Dielectric Strength	1 second at 500 VAC, max leakage - 500 MicroAmp		
Storage Temperature	-40C ~ +90C		

Model Number	OD254AP-24MB
Part Number	154121000
Nominal Voltage	24 VDC
Voltage Range	16~ 27 VDC
Nominal Current	1.4A
Rated Speed (RPM)	2000
Airflow (CFM)	690
Noise Level (dB)	47
Max. Static Pressure	0.58 " H2O