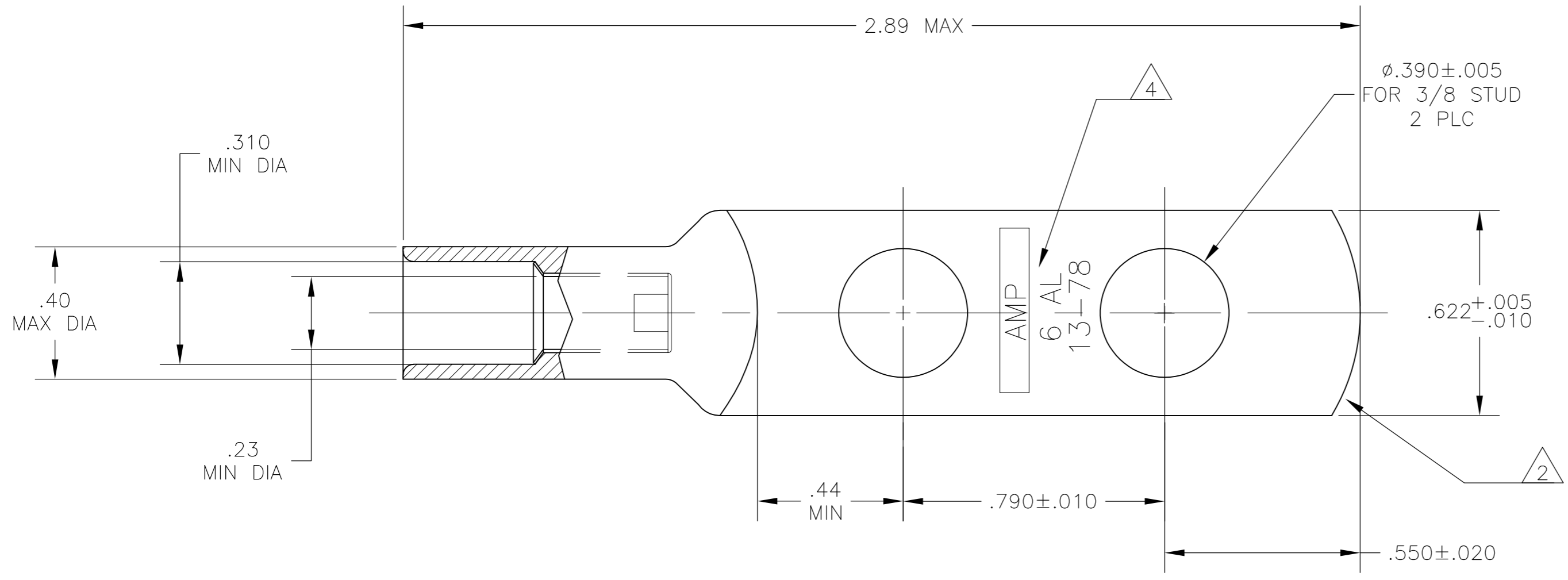
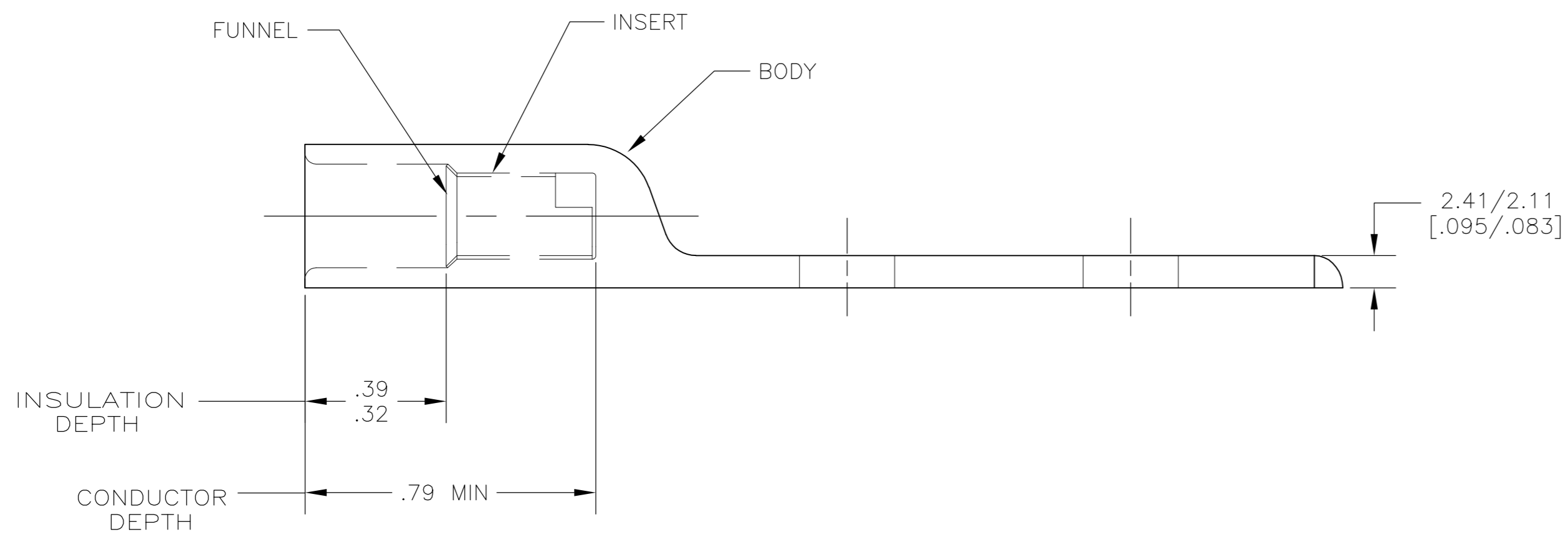


THIS DRAWING IS UNPUBLISHED. RELEASED FOR PUBLICATION
 © COPYRIGHT - By - ALL RIGHTS RESERVED.

LOC	DIST	REVISIONS					
		P	LTR	DESCRIPTION	DATE	DWN	APVD
G	86		B	REV PER ECO-12-008336	20JUN12	PY	BW



- 1 WIRE INSULATION: .260-291 DIA
- 2 THE TONGUE RADIUS FEATURE IS NOT A TOOLING CONTROLLED DIMENSION AND MAY NOT BE A TRUE RADIUS.
- 3 .020 FLASH PERMITTED ON WIRE BARRELL DUE TO IMPACTING
- 4 STAMP "AMP 6 AL 13-78" SIZE AND LOCATION APPROX AS SHOWN



4	INSERT & FUNNEL: BRASS MIL-C-50 NICKEL PL QQ-N-290 .000300 AVG THK		696953-1
	BODY: COPPER ASTM-B187 ANNEALED TIN PL PER ASTM B-545 .000150 MIN THK		
STAMP	MATERIAL & FINISH		PART NO.
THIS DRAWING IS A CONTROLLED DOCUMENT.		DWN JR RUTH 10may06	
DIMENSIONS: INCHES		CHK MJ SPICER 10MAY06	
TOLERANCES UNLESS OTHERWISE SPECIFIED:		APVD MJ SPICER 10MAY06	NAME
0 PLC ± -		PRODUCT SPEC	WIRE TERMINAL, RING TONGUE, SEALED COPALUM, WIRE SIZE: 6 ALUMINUM
1 PLC ± -		APPLICATION SPEC	SIZE
2 PLC ± .01			CAGE CODE
3 PLC ± .008			DRAWING NO
4 PLC ± -			RESTRICTED TO
ANGLES ± -		WEIGHT 25 GRAMS	A2 00779 C-696953
FINISH SEE TABLE		CUSTOMER DRAWING	SCALE 2:1 SHEET 1 of 1 REV B