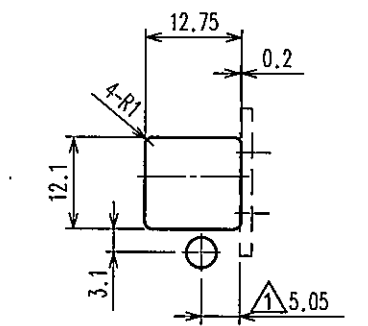
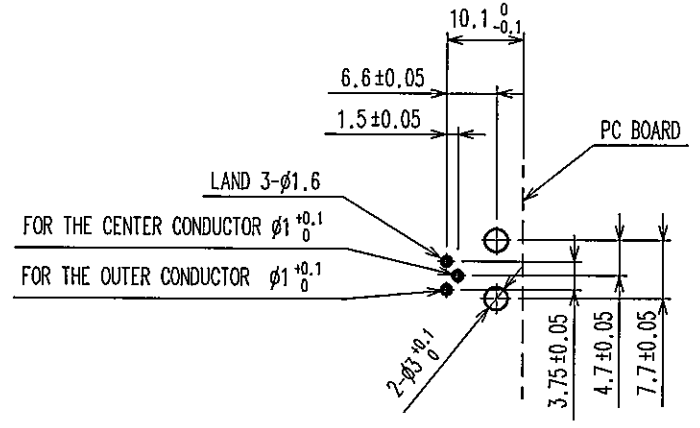
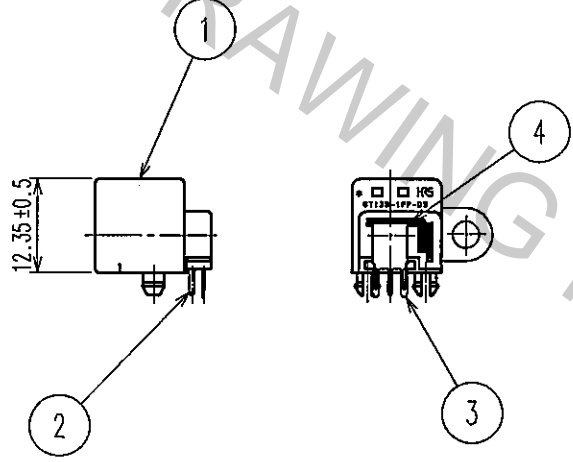
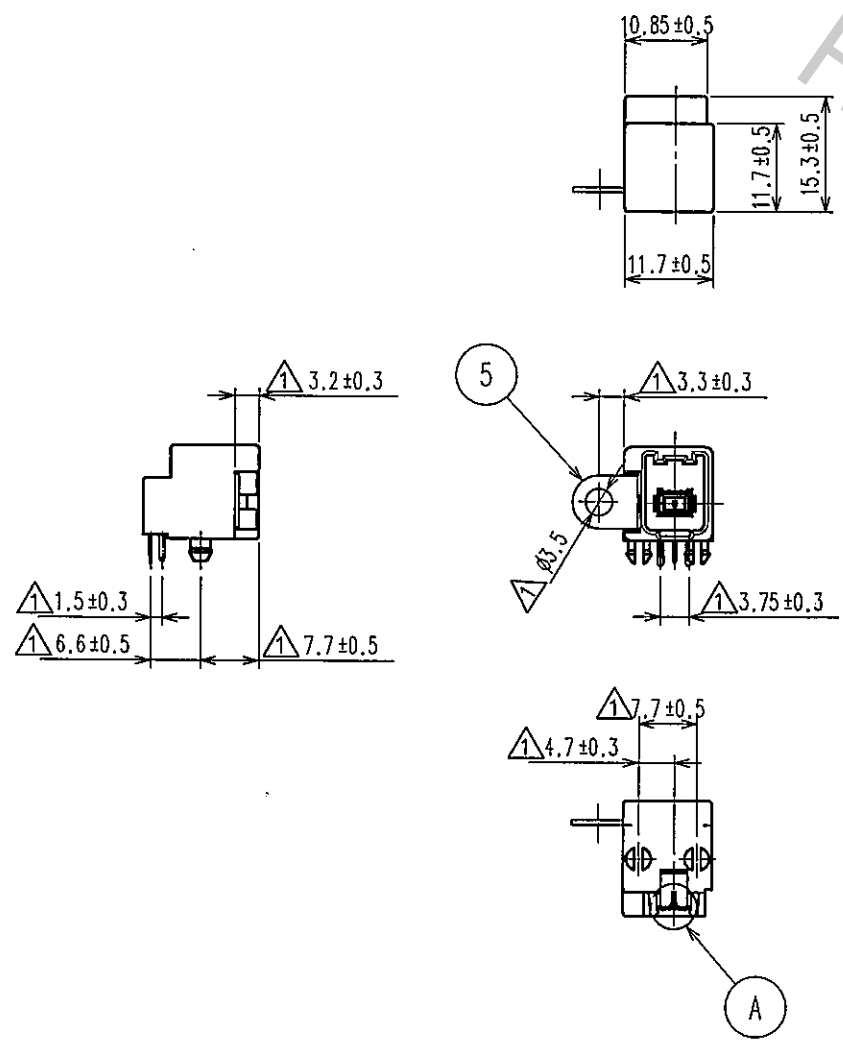


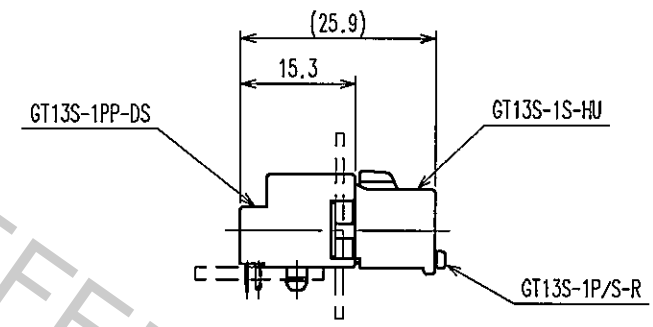
Oct.1.2018 Copyright 2018 HIROSE ELECTRIC CO., LTD. All Rights Reserved.
 In case that the application demands a high level of reliability, such as automotive,
 please contact a company representative for further information.

COUNT	DESCRIPTION OF REVISIONS	BY	CHKD	DATE	COUNT	DESCRIPTION OF REVISIONS	BY	CHKD	DATE
10	DIS-T-000540	M.O	K.S	07.9.21					

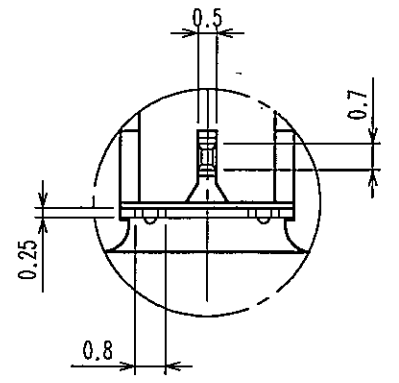


RECOMMENDED PC BOARD HOLE PATTERN

RECOMMENDED PANEL CUTOUT



MATED CONNECTOR



A (5:1)

3	BRASS	TIN PLATED	5	BRASS	TIN PLATED
2	BRASS	TIN PLATED	4	BRASS	TIN PLATED
1	PBT	UL94HB LIGHT GRAY			
NO.	MATERIAL	FINISH, REMARKS	NO.	MATERIAL	FINISH, REMARKS
CODE NO. (OLD) CL?			DRAWN	DESIGNED	CHECKED
			S.KURIYA	M.OKADA	K.SATO
			05.4.15	00.11.30	05.4.26
			APPROVED	RELEASED	
			K.SATO		
			05.4.26		
DRAWING NO. EDC3-165789			PART NO. GT13S-1PP-DS		
SCALE 1:1			CODE NO. CL763-0027-7		
UNITS mm			HRS HIROSE ELECTRIC CO., LTD		

TO