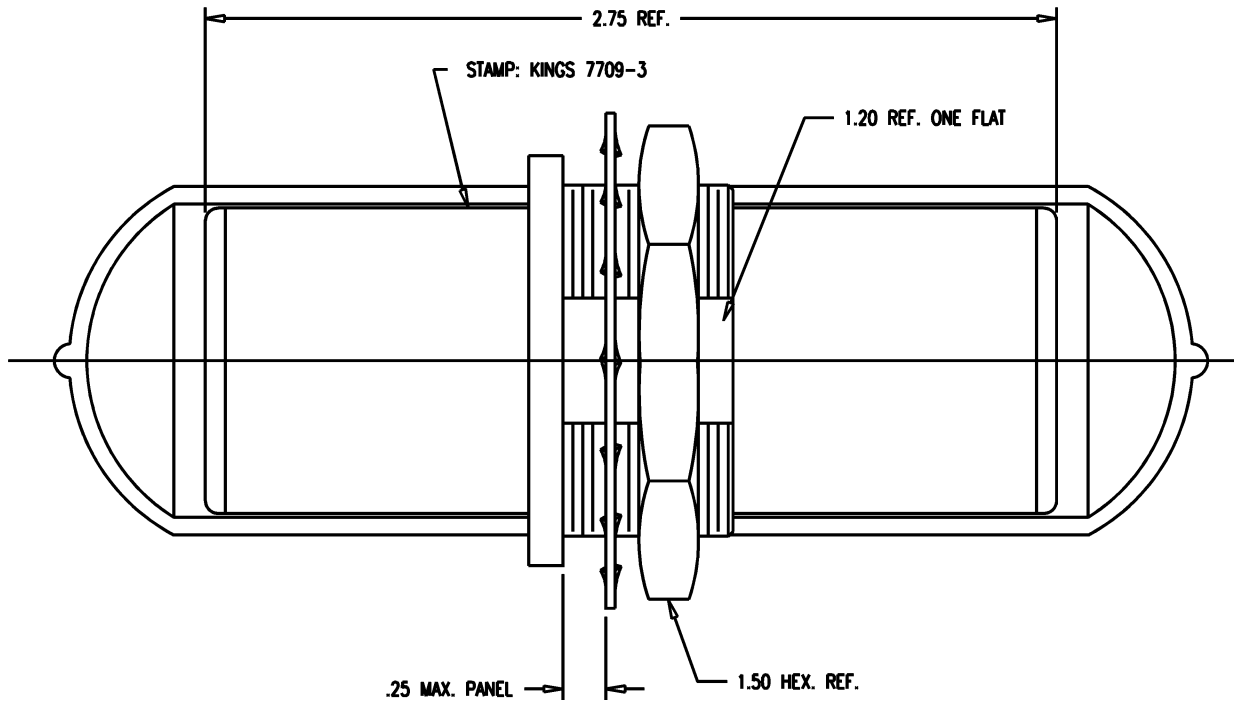


# SD



**NOTES:**

**1. MATERIALS:**

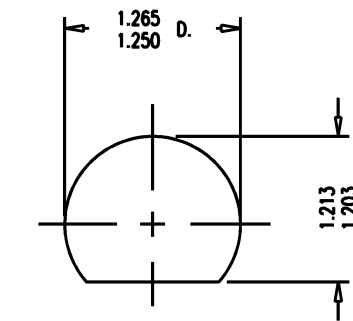
- INSULATORS-TEFLON, ASTM-D-4894
- CAP-VINYL
- CENTER CONTACT
- OUTER CONTACT SPRING } BER. COP., ASTM-B-196
- INSERT
- LOCKWASHER-PHOSPHOR BRONZE, ASTM-B-103
- ALL OTHER METAL PARTS-BRASS, ASTM-B16

**2. FINISHES:**

- OUTER CONTACT SPRING } GOLD PLATE PER MIL-G-45204
- CENTER CONTACT
- ALL OTHER METAL PARTS-KINGS TARNISH RESISTANT NICKEL FINISH (TR-5)

**3. ELECTRICAL CHARACTERISTICS:**

- FREQUENCY RANGE: DC-500 MHZ
- NOMINAL IMPEDANCE: 75 OHMS
- VOLTAGE BREAKDOWN: CENTER CONDUCTOR/INNER GROUND: 1500 VRMS
- INNER GROUND/OUTER GROUND: 500 VRMS



MOUNTING HOLE

# SD

7709-3

**REVISIONS**

ISSUE	CHANGES
0	ER 35441 KH 04/20/95
1	CN 36674 C KH 11/0/95
2	CN 37274 D PG 03/12/97

7709-3SD

SCALE 2:1

APPROX SURFACE AREA

USED ON

REF: KP-8040-007-000

ADAPTER, F-F, BKHD, TRI-LOC  
SERIAL DIGITAL

DRAWN KH DATE 04/20/95

DESIGN DW DATE 04/21/95

APPR. DATE

**KINGS**  
ELECTRONICS CO., INC.  
TUCKAHOE, NEW YORK 10707

7709-3