

## SPECIFICATIONS

### ELECTRICAL

ELECTRICAL ELEMENT RESISTANCE	Conductive plastic 5K $\Omega$ $\pm$ 20%
POWER RATING	0.08W @ 50°C
ELECTRICAL TRAVEL	220° $\pm$ 5° (110° off center)
MECHANICAL TRAVEL	260° centered
ROTATIONAL TORQUE	0.30 oz/in. max

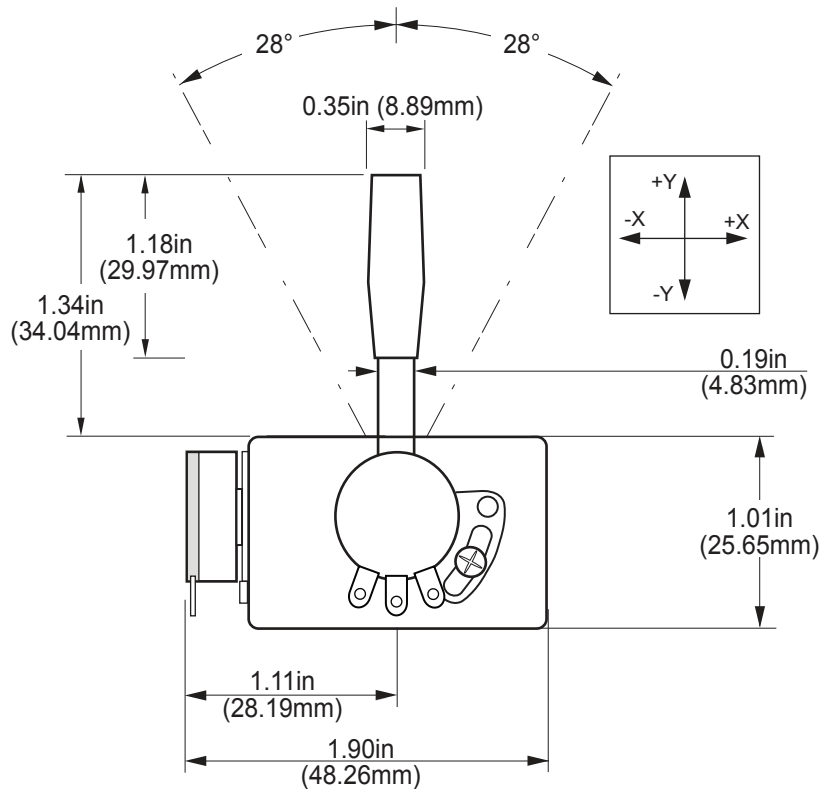
### MECHANICAL

OPERATING TRAVEL	56° (28° from center)
CENTERING	Spring centering
BREAKOUT FORCE	0.029Nm
OPERATING FORCE	0.041Nm
MAXIMUM FORCE	0.062Nm
LIFE EXPECTANCY	2 million

### WIRING

N/A

RoHS compliant



**CH**  
Products

P/N

**M11L061P**

REV  
**A**

DESCRIPTION

Resistive Mini-2 Axes, no Button, with Rubber Boot

PROPRIETARY AND CONFIDENTIAL

THE INFORMATION CONTAINED IN THIS DRAWING IS THE SOLE PROPERTY OF CH PRODUCTS. ANY REPRODUCTION IN PART OR AS WHOLE WITHOUT THE WRITTEN PERMISSION OF CH PRODUCTS IS PROHIBITED.