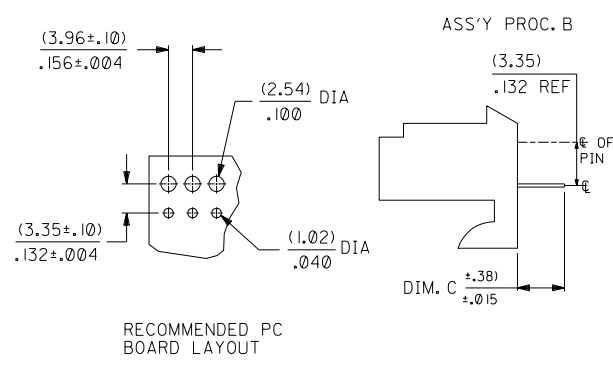


- NOTES:
1. TERMINALS MUST CONFORM TO SOLDERABILITY SPEC. ES-152.
 2. PARTS CONFORM TO PRODUCT SPEC 08-50.
 3. HOUSING MATERIAL: NYLON, UL LISTED
 4. "*" PRECEDING ENG. NO. IN CHARTS DESIGNATES STANDARD PRODUCT.
 5. TERMINAL TAIL CENTERLINES ARE TO BE WITHIN (.30)/.012 OF EACH OTHER.
 6. FOR KINKED PIN INFORMATION SEE SMES-42329-***.



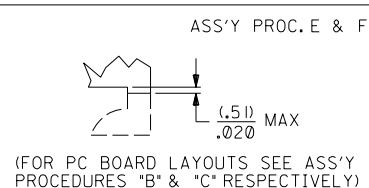
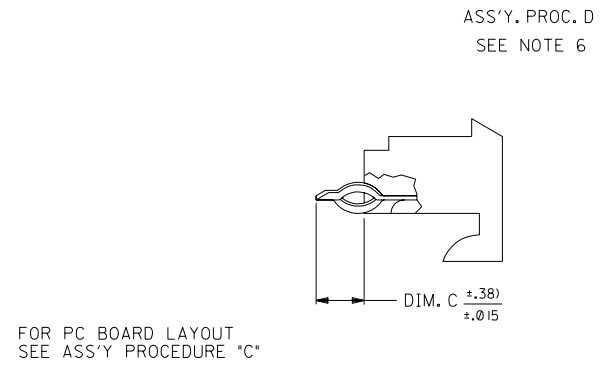
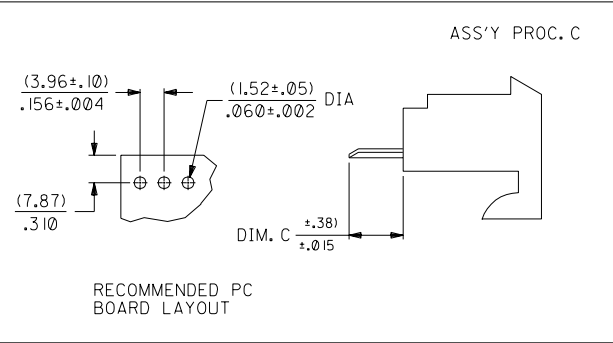
A - 2145 - * * N * * * - *
 VOID LOCATION
 ASS'Y. PROCEDURE
 A=RIGHT ANGLE
 B=BOTTOM ENTRY
 C=TOP ENTRY
 D=TOP ENTRY WITH KINKED TAIL
 E=BOTTOM ENTRY WITH HOOKS CUT OFF
 F=TOP ENTRY WITH HOOKS CUT OFF
 PACKAGING CODE
 BLANK=BULK PACK
 A=TUBE PACK PER PK-40873-0026

PLATING
 (102) 200 M.I. MIN TIN OVER 100 M.I. MIN COPPER
 (587) SELECT GOLD 15 M.I. MIN
 SELECT TIN-LEAD 75 M.I. MIN. OVER
 50 M.I. MIN NICKEL

- HOUSING NO.
- A=2145-N-AN 94V-2 NATURAL WITH RAMPES AND HOOKS
 - B=2145-NBK-AN 94V-2 DYED BLACK WITH RAMPES AND HOOKS
 - C=2145-A-AN 94V-0 NATURAL WITH RAMPES AND HOOKS
 - G=2145-N-CN 94V-2 NATURAL WITH HOOKS ONLY
 - H=2145-NGN-AN 94V-2 DYED GREEN WITH RAMPES AND HOOKS
 - J=2145-NYW-AN 94V-2 DYED YELLOW WITH RAMPES AND HOOKS
 - K=2145-NRD-AN 94V-2 DYED RED WITH RAMPES AND HOOKS
 - L=2145-N-AN-5 94V-2 NATURAL W/ RAMPES AND HOOKS MOLDED IN VOIDS

- TERMINAL NO.
- A=2144-AA-AIAA(+)B (BRASS)
 - B=2144-BA-AIAA(+)B (PHOS BRONZE)
 - C=2144-AA-A2AA(+)B (BRASS)
 - D=2144-BA-A2AA(+)B (PHOS BRONZE)
 - E=6298-A(+) (PHOS BRONZE) LOW FORCE
 - H=2188-(*) (BRASS)
 - J=2188-(*) (BRASS)
 - K=4244-(*) (BRASS)
 - L=6298-(*) (PHOS BRONZE)
 - M=2144-BA-BIAA(+)B (PHOS BRONZE) LOW FORCE
 - N=4244-A(+) (PHOS BRONZE)

NO. OF CKTS.	DIM. A	DIM. B	KINK PIN LOCATION (ASSY. PROC. D ONLY)
2	(3.96 ± .13) .156 ± .005	(7.82) .308	N/A
3	(7.92 ± .13) .312 ± .005	(11.79) .464	N/A
4	(11.89 ± .13) .468 ± .005	(15.75) .620	1, 2 3, 4
5	(15.85 ± .13) .624 ± .005	(19.71) .776	2, 3 4, 5
6	(19.81 ± .13) .780 ± .005	(23.67) .932	2, 3 4, 5
7	(23.77 ± .25) .936 ± .010	(27.64) 1.088	2, 3 5, 6
8	(27.74 ± .25) 1.092 ± .010	(31.60) 1.244	2, 3 6, 7
9	(31.70 ± .25) 1.248 ± .010	(35.56) 1.400	2, 3 7, 8
10	(35.66 ± .25) 1.404 ± .010	(39.52) 1.556	2, 3 8, 9
11	(39.62 ± .25) 1.560 ± .010	(43.48) 1.712	2, 3 9, 10
12	(43.59 ± .25) 1.716 ± .010	(47.45) 1.868	2, 3 10, 11
13	(47.55 ± .25) 1.872 ± .010	(51.41) 2.024	2, 3 11, 12
14	(51.51 ± .36) 2.028 ± .014	(55.37) 2.180	2, 3 12, 13
15	(55.47 ± .36) 2.184 ± .014	(59.33) 2.336	2, 3 13, 14
16	(59.44 ± .36) 2.340 ± .014	(63.30) 2.492	2, 3 14, 15



LTR.	REVISIONS	LTR.	REVISIONS
		U7	REL AANN102 UCP2003-0130 7/22/2002 SAMIEC
		U6	REL FANA503 UCR2001-0247 9-18-00 SAMIEC

DIMENSIONS SHOWN (METRIC) INCH
 UNLESS OTHERWISE SPECIFIED
 TOLERANCES: ANGULAR ± 1/2°

INCH	METRIC
3 PLACE ± .010	---
2 PLACE ± .014	± 0.25
1 PLACE ---	± 0.36

DRAFT WHERE APPLICABLE MUST REMAIN WITHIN DIMENSIONS

DRWG. PEREZ-ARGUETA BY: PATEL
 APP'D. LENZ SCALE: :

FILE NAME: S2145X1
 THIS DRAWING CONTAINS INFORMATION THAT IS PROPRIETARY TO MOLEX INC. AND SHOULD NOT BE USED WITHOUT WRITTEN PERMISSION.

TITLE: HOUSING ASS'Y, P.C. TAIL (3.96)/.156 C
 2145 SERIES DRAWING
 SEE CHART SDA-2145

PART NO. MOLEX INCORPORATED U.S.A. SHEET NO. DATE 1 OF 20 7 / 9 / 87
 LITSE,ILL. 60532

MFG. SH. REV. 20 U
19 T
18 U7
17 M
16 T6
15 T
14 T2
13 U6
12 U5
11 R3
10 U
9 T
8 T
7 U3
6 U
5 U
4 U
3 U
2 U
1 U7

	13	12	11	10	9	8	7	6	2145	4	3	2	1	
	ENG. NO.		HOUSING NO.		TERMINAL NO.		DIM. C		EDP ON SHT/COL					
J	A-2145-AANA(102)-*		2145-N-AN		2144-AA-AIAA-102B		(3.68) / .145		7 / 1					J
	A-2145-AANA(122)-*		2145-N-AN		2144-AA-AIAA-122B		(3.68) / .145		7 / 2					
	A-2145-AANA(505)-**		2145-N-AN		2144-AA-AIAA-505B		(3.68) / .145		7 / 3					
	A-2145-AANA(507)-**		2145-N-AN		2144-AA-AIAA-507B		(3.68) / .145		7 / 4					
	A-2145-AANB(558)-**		2145-N-AN		2144-BA-AIAA-558B		(3.68) / .145		8 / 1					
I	A-2145-AANA(P913)-*		2145-N-AN		2144-AA-AIAA-P913B		(3.68) / .145		8 / 2					I
	A-2145-ABNA(122)-*		2145-NBK-AN		2144-AA-AIAA-122B		(3.68) / .145		8 / 3					
	A-2145-ABNA(P913)-*		2145-NBK-AN		2144-AA-AIAA-P913B		(3.68) / .145		8 / 4					
	A-2145-AANA(587)-**		2145-N-AN		2144-AA-AIAA-587B		(3.68) / .145		9 / 1					
	A-2145-AGNA(P913)-*		2145-N-CN		2144-AA-AIAA-587B		(3.68) / .145		9 / 2					
H	A-2145-BANH(102)-*		2145-N-AN		2188-(102)		(4.06) / .160		9 / 3					H
	A-2145-BANH(122)-**		2145-N-AN		2188-(122)		(4.06) / .160		9 / 4					
	A-2145-BANL(P913)-*		2145-N-AN		6298-(P913)		(4.06) / .160		10 / 1					
	A-2145-BANL(565)-**		2145-N-AN		6298-(565)		(4.06) / .160		10 / 2					
	A-2145-BBNH(122)-*		2145-NBK-AN		2188-(122)		(4.06) / .160		10 / 3					
G	A-2145-CANA(102)-*		2145-N-AN		2144-AA-AIAA-102B		(3.05) / .120		10 / 4					G
	A-2145-CANA(122)-**		2145-N-AN		2144-AA-AIAA-122B		(3.05) / .120		11 / 1					
	A-2145-CANB(565)-**		2145-N-AN		2144-BA-AIAA-565B		(3.05) / .120		11 / 2					
	A-2145-CANC(P913)-**		2145-N-AN		2144-AA-A2AA-P913B		(4.80) / .189		11 / 3					
	A-2145-FGNA(587)-**		2145-N-CN		2144-AA-AIAA-587B		(3.05) / .120		11 / 4					
	A-2145-FANA(P913)-**		2145-N-AN		2144-AA-AIAA-P913B		(3.05) / .120		12 / 1					
F	A-2145-DANC(P913)-*		2145-N-AN		2144-AA-A2AA-P913B		(4.80) / .189		12 / 2					F
	A-2145-BBNH(P913)-**		2145-NBK-AN		2188-(P913)		(4.06) / .160		12 / 3					
	A-2145-CBNA(P913)-**		2145-NBK-AN		2144-AA-AIAA-P913B		(3.05) / .120		12 / 4					
	A-2145-FGNA(550)-**		2145-N-CN		2144-AA-AIAA-550B		(3.05) / .120		13 / 1					
	A-2145-BANH(P913)-**		2145-N-AN		2188-(P913)		(4.06) / .160		13 / 2					
E	A-2145-BANH(587)-**		2145-N-AN		2188-(587)		(4.06) / .160		13 / 3					E
	A-2145-FANA(503)-**		2145-N-AN		2144-AA-AIAA-503B		(3.05) / .120		13 / 4					
	A-2145-EANH(P913)-**		2145-N-AN		2188-(P913)		(4.06) / .160		14 / 1					
	A-2145-AANK(P913)-**		2145-N-AN		4244-(P913)		(3.68) / .145		14 / 2					
	A-2145-ABNK(P913)-**		2145-NBK-AN		4244-(P913)		(3.68) / .145		14 / 3					
D	A-2145-ABNA(587)-**		2145-NBK-AN		2144-AA-AIAA-587B		(3.68) / .145		14 / 4					D
	A-2145-AANA-(109)-**		2145-N-AN		2144-AA-AIAA-109B		(3.68) / .145		15 / 1					
	A-2145-CANA(P913)-**		2145-N-AN		2144-AA-AIAA-P913B		(3.05) / .120		15 / 2					
	A-2145-AANB(122)-**		2145-N-AN		2144-BA-AIAA(122)B		(3.68) / .145		15 / 3					
	A-2145-BANL(122)-**		2145-N-AN		6298-(122)		(4,06) / .160		15 / 4					
	A-2145-CANB(122)-**		2145-N-AN		2144-BA-AIAA(122)B		(3.05) / .120		16 / 1					
C	A-2145-EGNH(P913)-**		2145-N-CN		2188-(P913)		(4.06) / .160		16 / 2					C
	A-2145-FGNA(P913)-**		2145-N-CN		2144-AA-AIAA-P913B		(3.05) / .120		16 / 3					
	A-2145-CANA(587)-**		2145-N-AN		2144-AA-AIAA-587B		(3.05) / .120		16 / 4					
	A-2145-BHNI(122)-**		2145-NGN-AN		2188-(122)		(4,06) / .160		17 / 1					
	A-2145-BJNH(122)-**		2145-NYW-AN		2188-(122)		(4,06) / .160		17 / 2					
B	A-2145-BKNH(122)-**		2145-NRD-AN		2188-(122)		(4,06) / .160		17 / 3					B
A														A

SEE SHEET I		M1	SEE SHEET I	DIMENSIONS SHOWN (METRIC) INCH UNLESS OTHERWISE SPECIFIED TOLERANCES ANGULAR ± 1/2°		▽ = 0 ▼ = 0		REVISE ONLY ON CAD SYSTEM	
SEE SHEET I		M	SEE SHEET I	INCH METRIC 3 PLACE ± 2 PLACE ± 1 PLACE ±		TITLE		HOUSING ASS'Y, P.C. TAIL	
U	SEE SHEET I	K	SEE SHEET I	DRAFT WHERE APPLICABLE MUST REMAIN WITHIN DIMENSIONS		PART NO.		MOLEX INCORPORATED	
T	SEE SHEET I	J3	SEE SHEET I	DRG. PEREZ C.	CHK'D. PATEL	LISLE, ILL.		SHEET NO.	
G	SEE SHEET I	J	SEE SHEET I	APP'D. LENZ	SCALE :	60532		DATE	
R	SEE SHEET I	H	SEE SHEET I	FILE NAME		U.S.A.		7 / 9 / 87	
M3	SEE SHEET I	G1	SEE SHEET I	S2145X5		MOLEX INC. AND SHOULD NOT BE USED WITHOUT WRITTEN PERMISSION		5	
LTR.	REVISIONS		LTR.	REVISIONS		SEE CHART		SDA-2145	

2145

DIN. SIZE
KK C

A-2145-CANA(122)-*			A-2145-CANB(565)-*			A-2145-CANC(P913)-*			A-2145-FGNA(587)-*		
PART NO.	ENG. NO(SUFFIX ONLY)	VOID CKT.	PART NO.	ENG. NO(SUFFIX ONLY)	VOID CKT.	PART NO.	ENG. NO(SUFFIX ONLY)	VOID CKT.	PART NO.	ENG. NO(SUFFIX ONLY)	VOID CKT.
	-CA2A(122)			-CA2B(565)		09-52-1029	-CA2C(P913)			-FG2A(587)	
	-CA3A(122)			-CA3B(565)		09-52-1039	-CA3C(P913)			-FG3A(587)	
09-86-3043	-CA4A(122)			-CA4B(565)		09-52-1049	-CA4C(P913)			-FG4A(587)	
	-CA5A(122)			-CA5B(565)		09-52-1059	-CA5C(P913)			-FG5A(587)	
	-CA6A(122)		09-62-3066	-CA6B(565)		09-52-1069	-CA6C(P913)			-FG6A(587)	
	-CA7A(122)			-CA7B(565)		09-52-1079	-CA7C(P913)			-FG7A(587)	
09-86-3083	-CA8A(122)			-CA8B(565)		09-52-1089	-CA8C(P913)			-FG8A(587)	
	-CA9A(122)		09-62-3096	-CA9B(565)		09-52-1099	-CA9C(P913)		09-62-4094	-FG9A(587)	
09-86-3103	-CA10A(122)		09-62-3106	-CA10B(565)		09-52-1109	-CA10C(P913)			-FG10A(587)	
	-CA11A(122)			-CA11B(565)		09-52-1119	-CA11C(P913)			-FG11A(587)	
09-86-3123	-CA12A(122)			-CA12B(565)		09-52-1129	-CA12C(P913)			-FG12A(587)	
	-CA13A(122)			-CA13B(565)		09-52-1139	-CA13C(P913)			-FG13A(587)	
	-CA14A(122)			-CA14B(565)		09-52-1149	-CA14C(P913)			-FG14A(587)	
	-CA15A(122)			-CA15B(565)		09-52-1159	-CA15C(P913)		09-62-4154	-FG15A(587)	
	-CA16A(122)			-CA16B(565)			-CA16C(P913)			-FG16A(587)	

COLUMN NO. 1	CON'T. IN COLUMN NO.	SHEET NO.	COLUMN NO. 2	CON'T. IN COLUMN NO.	SHEET NO.	COLUMN NO. 3	CON'T. IN COLUMN NO.	SHEET NO.	COLUMN NO. 4	CON'T. IN COLUMN NO.	SHEET NO.
						SEE SHEET I		SEE SHEET I			
						SEE SHEET I		SEE SHEET I			
						SEE SHEET I		SEE SHEET I			
						SEE SHEET I	R3	SEE SHEET I			
						SEE SHEET I	M	SEE SHEET I			
						SEE SHEET I	D8	SEE SHEET I			
						SEE SHEET I	A	SEE SHEET I			
LTR.	REVISIONS		LTR.	REVISIONS							

DIMENSIONS SHOWN (METRIC) INCH
 UNLESS OTHERWISE SPECIFIED
 TOLERANCES ANGULAR ± 1/2°
 INCH METRIC
 3 PLACE ± ±
 2 PLACE ± ±
 1 PLACE ± ±
 DRAFT WHERE APPLICABLE MUST
 REMAIN WITHIN DIMENSIONS
 DRWG. PEREZ - DW'D. PATEL
 BY ARGUETA BY
 APP'D. LENZ SCALE :

REVISIONS ONLY ON CAD SYSTEM
 TITLE
 HOUSING ASS'Y, P.C. TAIL
 (3,96)/.156 C
 2145 SERIES DRAWING
 MOLEX INCORPORATED
 LITTLEFALL, N.J. 07643 U.S.A.
 SHEET NO. 11 DATE 7/9/87
 PART NO. SEE CHART
 DRWG. NO. SDA-2145
 FILE NAME S2145X11
 THIS DRAWING CONTAINS INFORMATION THAT IS PROPRIETARY TO MOLEX INC. AND SHOULD NOT BE USED WITHOUT WRITTEN PERMISSION. KK IC

2145