

4

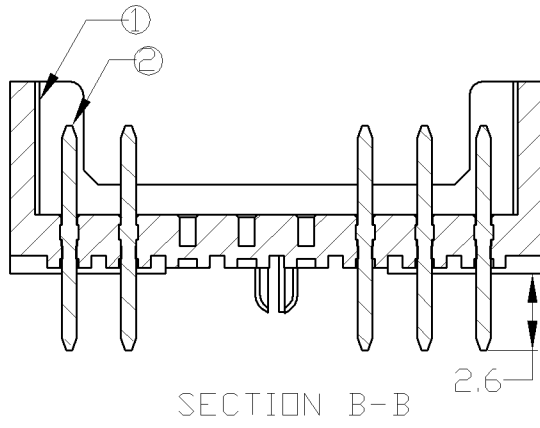
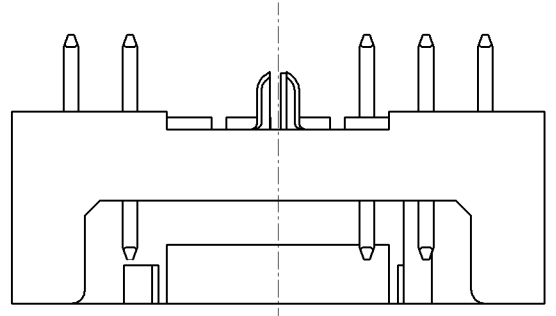
3

2

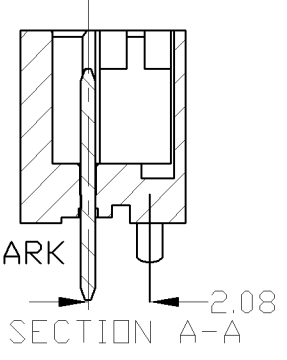
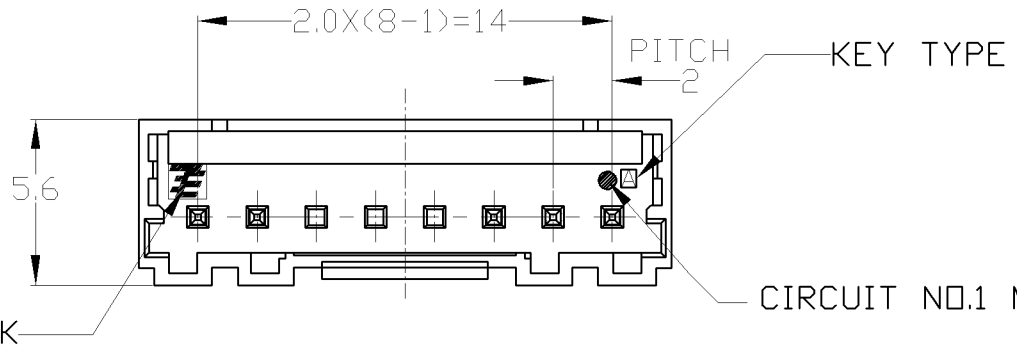
1

THIS DRAWING IS UNPUBLISHED. RELEASED FOR PUBLICATION  
 © COPYRIGHT BY TYCO ELECTRONICS CORPORATION. ALL RIGHTS RESERVED.

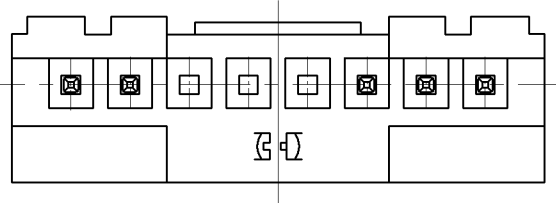
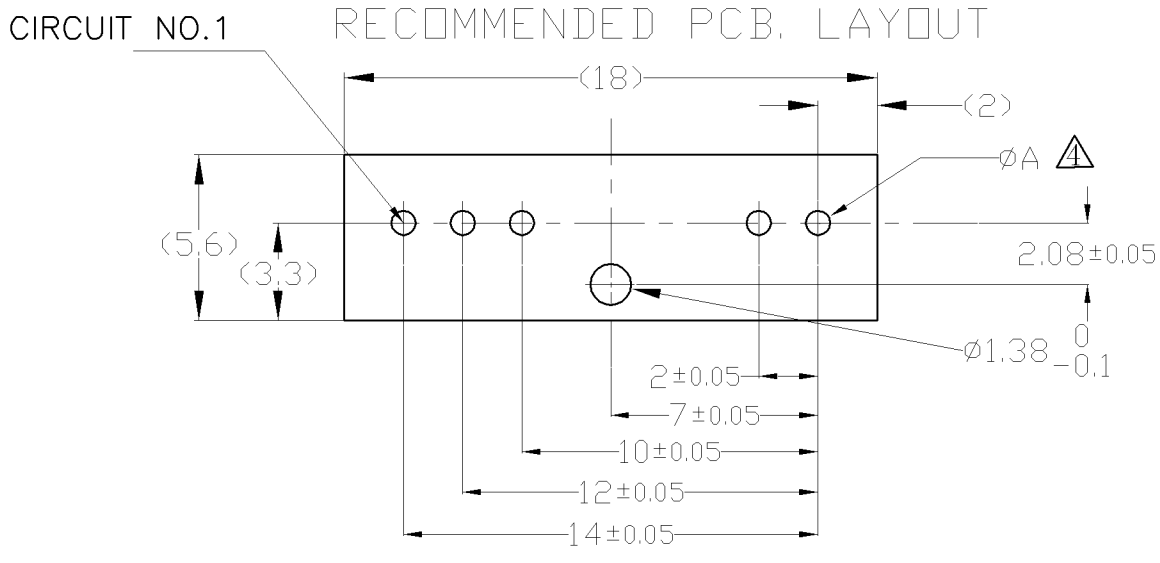
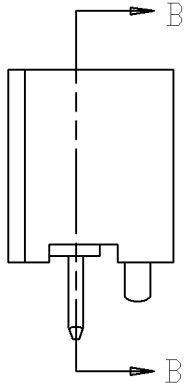
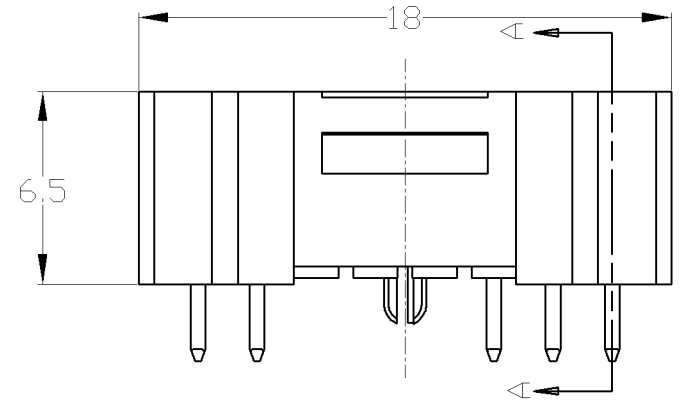
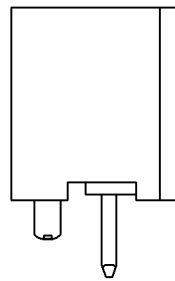
LOC	DIST	REVISIONS			
P	LTR	DESCRIPTION	DATE	DWN	APVD
ES	-	A	RELEASED	30OCT2008	JL JZ



NOTE:  
 1. GENERAL TOLERANCE:  $\pm 0.3, \pm 0.3^\circ$   
 2. MATERIAL: 66NYLON GF (UL94V-0)  
 3. MATING CONN.P/N: SEE TABLE  
 ▲ APPLICABLE P.C.B HOLE DIA:  $\phi A$   
 PACHED HOLE:  $\phi 0.75 + 0.1 / - 0$   
 DRILLED HOLE:  $\phi 0.90 \pm 0.05$



NO.	NAME	MATERIAL
①	HDR HOUSING	66NYLON GF (UL94V-0)
②	POST CONTACT	BRASS H06 PRE-Tin



THIS DRAWING IS A CONTROLLED DOCUMENT.		DWN JIMMY LIU 30OCT2008	<b>tyco</b> Electronics	Tyco Electronics Corporation Shanghai, China	
DIMENSIONS: mm		CHK HAPYE WU 30OCT2008		NAME	
TOLERANCES UNLESS OTHERWISE SPECIFIED:		APVD JULIAN ZHOU 30OCT2008	PRODUCT SPEC		
0 PLC ± -		APPLICATION SPEC	GIC 2.0 EV SERIES		
1 PLC ± -		108-106001	5/8P HEADER ASSEMBLY		
2 PLC ± -		114-5425	SIZE	CAGE CODE	DRAWING NO
3 PLC ± -		CUSTOMER DRAWING	A3	00779	C=1971200
4 PLC ± -		WEIGHT	RESTRICTED TO		-
ANGLES ± -		SCALE	SHEET		REV
FINISH		4:1	1 OF 1		A