

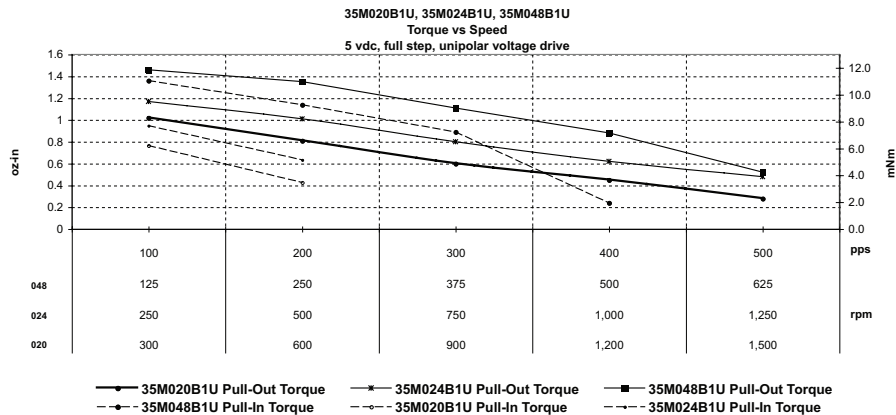
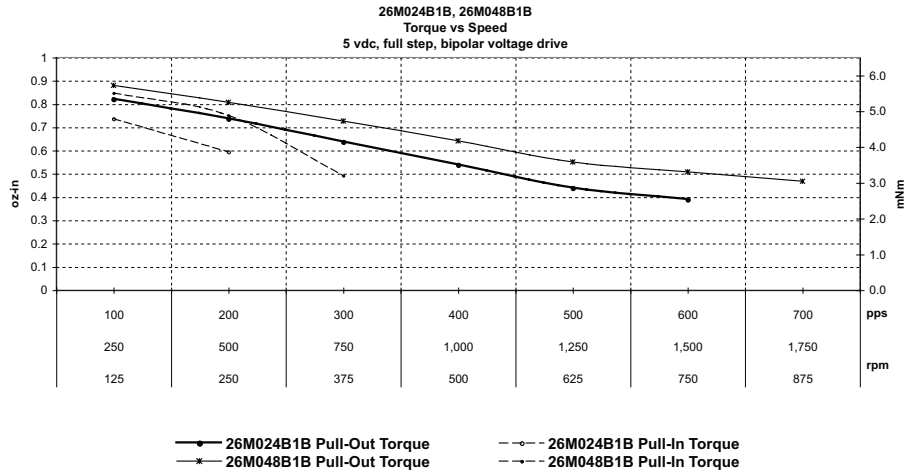
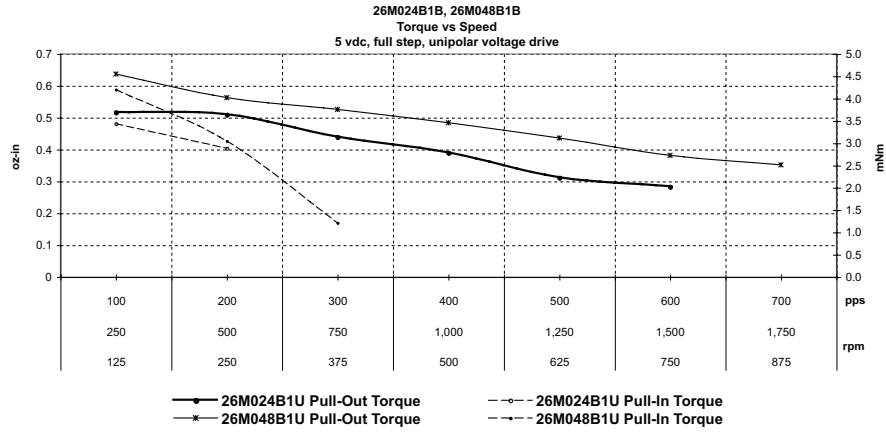
26M048B

Technical Specifications

Part Number	Unipolar		Bipolar		
	26M048B1U	26M048B2U	26M048B1B	26M048B2B	
Rated voltage	(vdc)	5	12	5	12
Resistance per phase ± 10%	(ohms)	19.60	110.00	19.80	108.00
Inductance per phase, Typ	(mH)	5.30	36.50	13.00	60.70
Rated current per phase *	(amps)	0.26	0.11	0.25	0.11
Holding torque, min *	(oz-in / mNm)	1.3 / 9.2		1.5 / 10.6	
Step angle *	(degrees)	7.5 ± 0.5°			
Steps per revolution *		48			
Detent torque, max	(oz-in / mNm)	0.19 / 1.34			
Thermal resistance	(°C / watt)	N.A.			
Rotor moment of inertia	(oz-in-s ² / g-cm ²)	6.01 x 10E-3 / 1.1			
Ambient temperature range					
Operating	(°C)	-20 ~ +70			
Storage	(°C)	-40 ~ +85			
Bearing type		Sintered Bronze Sleeve			
Insulation resistance at 500vdc	(MΩ)	100			
Dielectric withstanding voltage	(vac)	650 for 2 seconds			
Weight	(lb / g)	.075 / 34			
Shaft load ratings, max at 600 rpm					
Radial	(lbs / kg)	.337 / .153			
Axial	(lbs / kg)	.337 / .153			
Leadwires		AWG 28, UL 1429			
Temperature class, max	(°C)	B(130°C)			
RoHS		Compliant			

All motor data values at 25°C unless otherwise specified

* Energise at rated current, 2 phase on



20M & 26M

20M SERIES SYNCHRONOUS MOTOR

Technical Specifications

Part Number		20M600B3A	20M720B3A
Ac operating voltage	(vac)	24.0	24.0
Frequency	(Hz)	50.0	60.0
Speed	(rpm)	600.0	720.0
Direction of rotation	-	Reversible	Reversible
Synchronous torque	(oz-in / mNm)	0.38 / 2.68	0.38 / 2.68
Capacitance	(μF)	2.20	2.20
Rotor moment of inertia	(oz-in-s ² / g-cm ²)	2.24 x 10E-3 / 0.41	
Weight	(lbs / g)	0.052 / 23.5	
Leadwires		AWG 28, UL 1429	
Ambient temperature range	Operating (°C)	-20 ~ +70	
	Storage (°C)	-40 ~ +85	
Bearing type		Sintered Bronze Sleeve	
Insulation resistance at 500vdc	(Mohms)	100	
Dielectric withstanding voltage	(vac)	650 ± 50 VRMS 2 seconds	
Temperature class, max	(°C)	B(130°C)	
RoHS		Compliant	

All motor data values at 25°C unless otherwise specified

* Energise at rated current, 2 phase on

26M SERIES SYNCHRONOUS MOTOR

Technical Specifications

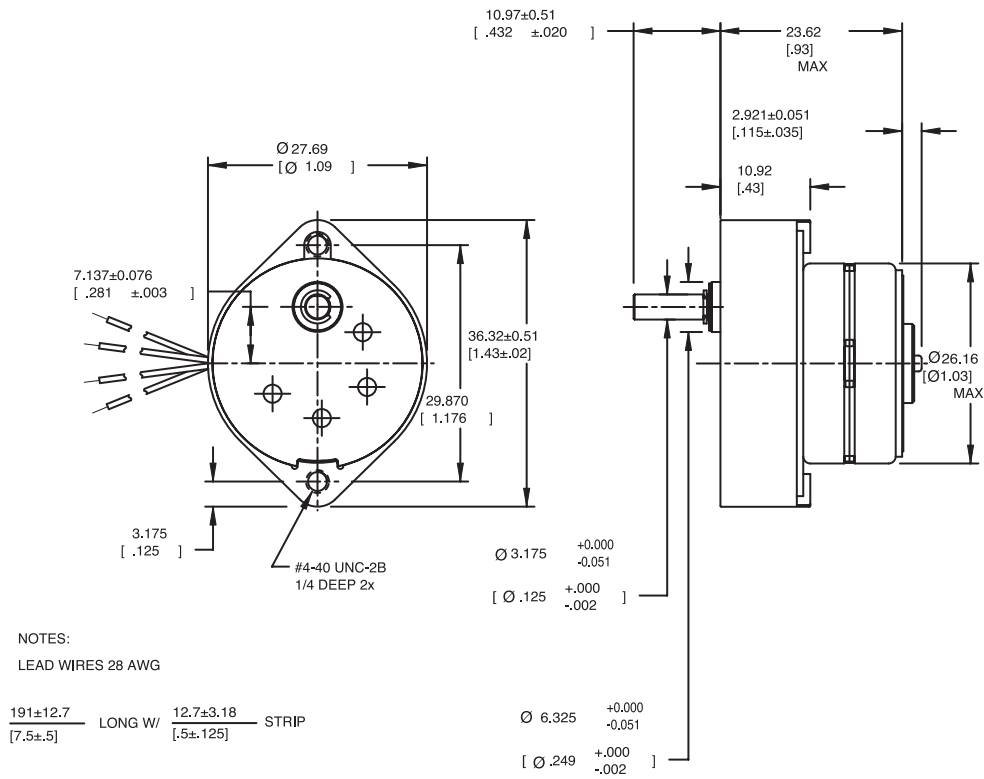
Part Number		26M250B3A	26M250B5A	26M300B3A	26M300B5A
Ac operating voltage	(vac)	24.0	120.0	24.0	120.0
Frequency	(Hz)	50.0	50.0	60.0	60.0
Speed	(rpm)	250.0	250.0	300.0	300.0
Direction of rotation	-	Reversible	Reversible	Reversible	Reversible
Synchronous torque	(oz-in / mNm)	0.89 / 6.25	0.90 / 6.33	0.89 / 6.25	0.90 / 6.33
Capacitance	(μF)	6.80	0.3	6.80	0.330
Rotor moment of inertia	(oz-in-s ² / g-cm ²)	6.01 x 10E-3 / 1.1			
Weight	(lbs / g)	.075 / 34			
Leadwires		AWG 28, UL 1429			
Ambient temperature range	Operating (°C)	-20 ~ +70			
	Storage (°C)	-40 ~ +85			
Bearing type		Sintered Bronze Sleeve			
Insulation resistance at 500vdc	(Mohms)	100			
Dielectric withstanding voltage	(vac)	650 ± 50 VRMS 2 seconds			
Temperature class, max	(°C)	B(130°C)			
RoHS		Compliant			

All motor data values at 25°C unless otherwise specified

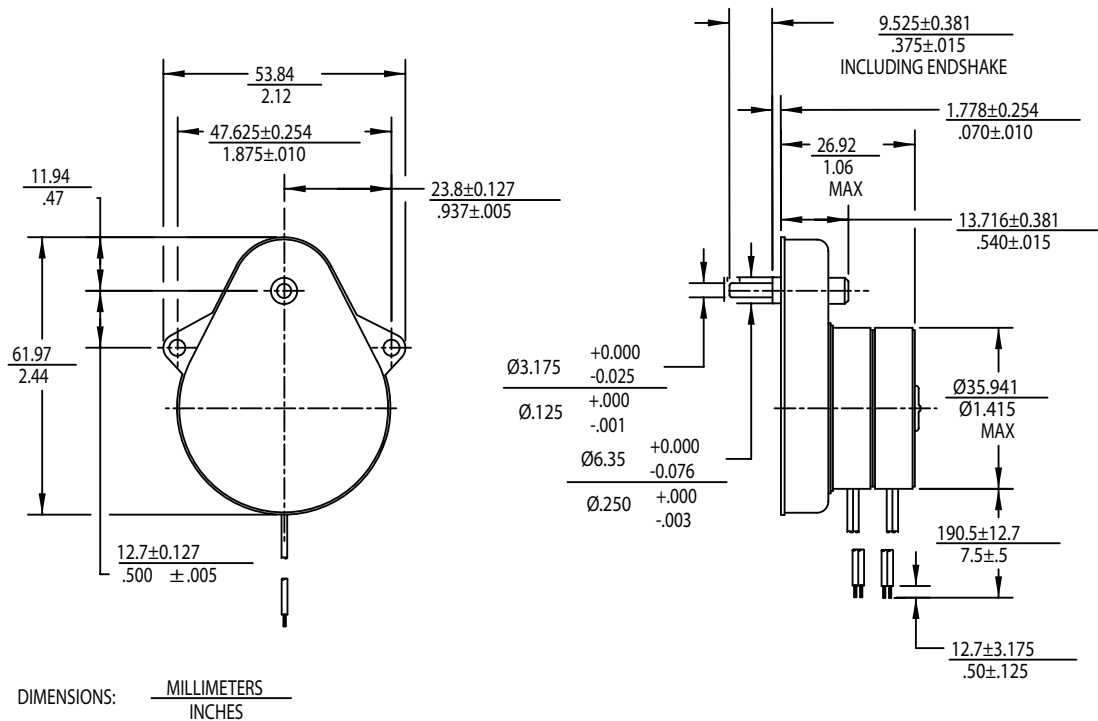
* Energise at rated current, 2 phase on

26M-V & 35M-X

26M-V



35M-X



Gear Ratios Available for Can Stack

26M-V GEAR RATIOS

Part suffix	Gear ratio	Efficiency %	Output step angle	Output speed rpm	Running torque @ 100 PPS*
				@ 100 PPS*	oz-in / mN-m
- V 11	2 : 1	90.0%	3.75°	62.50	1.16 / 8.9
- V 16	5 : 1	81.0%	1.5°	25.00	2.41 / 17.01
- V 19	7.5 : 1	73.0%	1.00°	16.66	3.00 / 21.08
- V 21	10 : 1	73.0%	0.75°	12.50	4.00 / 28.24
- V 24	15 : 1	66.0%	0.5°	8.33	5.00 / 35.3
- V 27	20 : 1	66.0%	0.375°	6.25	6.64 / 46.88
- V 31	30 : 1	66.0%	0.25°	4.17	10.00 / 70.6
- V 37	60 : 1	59.0%	0.125°	2.09	16.00 / 112.96

35M-X GEAR RATIOS

Part suffix	Gear ratio	Efficiency %	Output step angle	Output speed rpm	Running torque @ 240 PPS*
				@ 240 PPS*	oz-in / mN-m
- X 24	15 : 1	80.0%	0.500°	20.00	5.0 / 35.30 MAX
- X 27	20 : 1	80.0%	0.375°	15.00	5.0 / 35.30 MAX
- X 31	30 : 1	80.0%	0.250°	10.00	5.0 / 35.30 MAX
- X 37	60 : 1	80.0%	0.125°	5.00	5.0 / 35.30 MAX
- X 39	75 : 1	80.0%	0.100°	4.00	5.0 / 35.30 MAX
- X 45	150 : 1	70.0%	0.050°	2.00	5.0 / 35.30 MAX
- X 52	300 : 1	70.0%	0.025°	1.00	5.0 / 35.30 MAX
- X 64	1350 : 1	65.0%	0.0055°	0.22	5.0 / 35.30 MAX

* Energise at rated current, 2 phase on