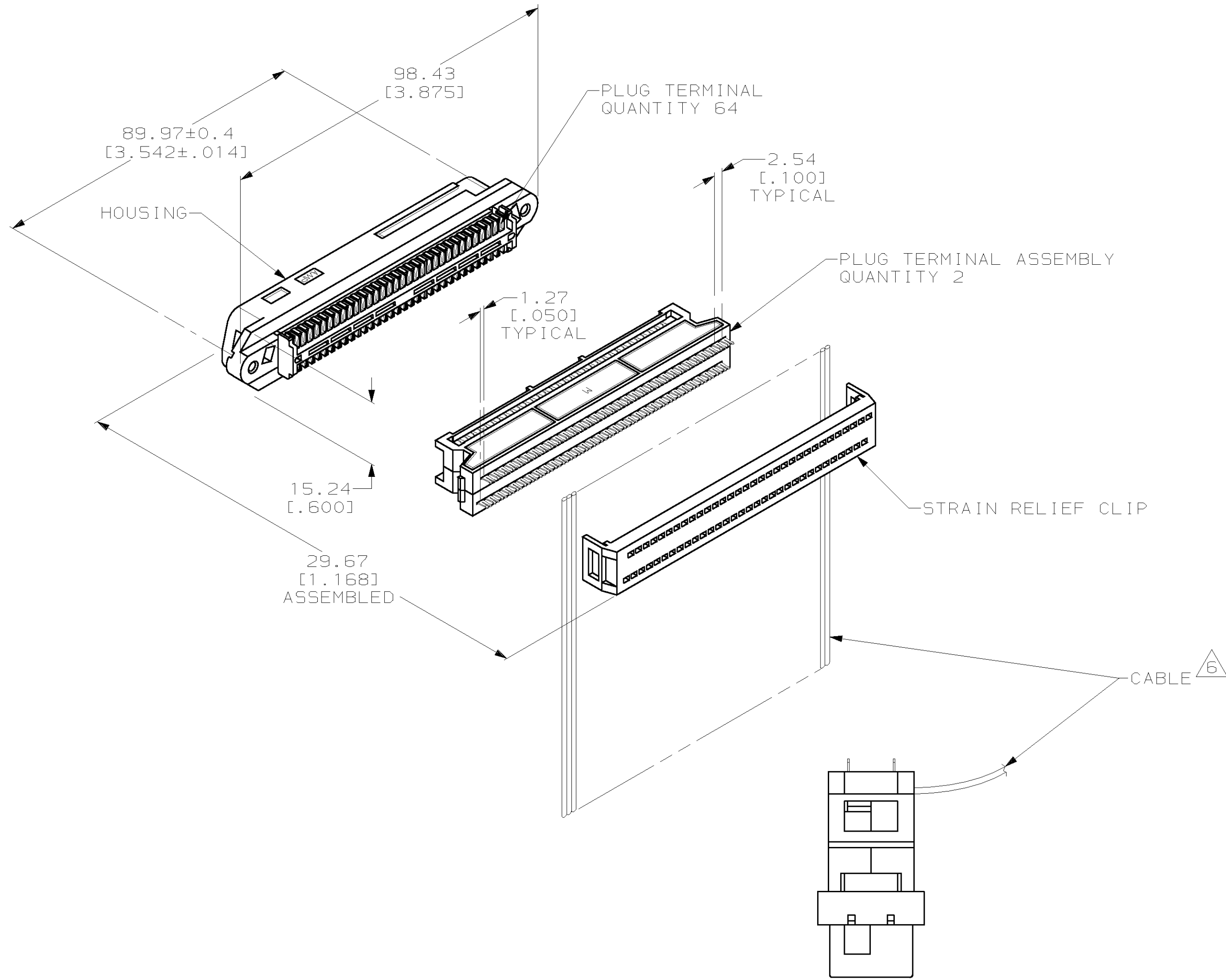


THIS DRAWING IS UNPUBLISHED. RELEASED FOR PUBLICATION .19
 (C) COPYRIGHT 19 BY AMP INCORPORATED. ALL RIGHTS RESERVED.

LOC	DIST	REVISIONS			
P	LTR	DESCRIPTION	DATE	DWN	APVD
AA	20	D	SUPERSEDED: -3; EC 0640-0545-98	21JUL99	DLD EWB



1. THE CONTACT SURFACES OF THE TERMINALS ARE COATED WITH LUBRICANT.
- 2 MATERIAL: HOUSING AND STRAIN RELIEF CLIP - THERMOPLASTIC, BLACK. TERMINALS - GOLD OVER NICKEL PLATED HIGH STRENGTH COPPER ALLOY ON MATING END AND GOLD FLASH OVER NICKEL PLATE ON TERMINATING END. INSERT - ZINC PLATED BRASS.
3. STRAIN RELIEF CLIP SHIPPED UNASSEMBLED.
4. WIRE RANGE: 28 AWG (STRANDED) OR 30 AWG (SOLID) COPPER RIBBON CABLE.
5. ALL DIMENSIONS SHOWN ARE FOR REFERENCE ONLY.
- 6 RIBBON CABLE SHALL BE FURNISHED BY CUSTOMER.

552837

552837-1
PART NUMBER

THIS DRAWING IS A CONTROLLED DOCUMENT.		DWN DL DRUMMOND 21 JUL 99	AMP Incorporated Harrisburg, PA 17105-3608
DIMENSIONS: mm [INCHES]		CHK EW BEILES 21 JUL 99	
TOLERANCES UNLESS OTHERWISE SPECIFIED:		APVD EW BEILES 21 JUL 99	
0 PLC ±- 1 PLC ±- 2 PLC ±- 3 PLC ±- 4 PLC ±- ANGLES ±-		NAME	
MATERIAL	FINISH	PRODUCT SPEC	PLUG KIT, 64 POSITION, SCREW LOCK, CHAMP-LATCH
		APPLICATION SPEC	SIZE CAGE CODE DRAWING NO RESTRICTED TO
		WEIGHT	A2 00779 C- 552837
CUSTOMER DRAWING		SCALE 1:1	SHEET 1 OF 1 REV D