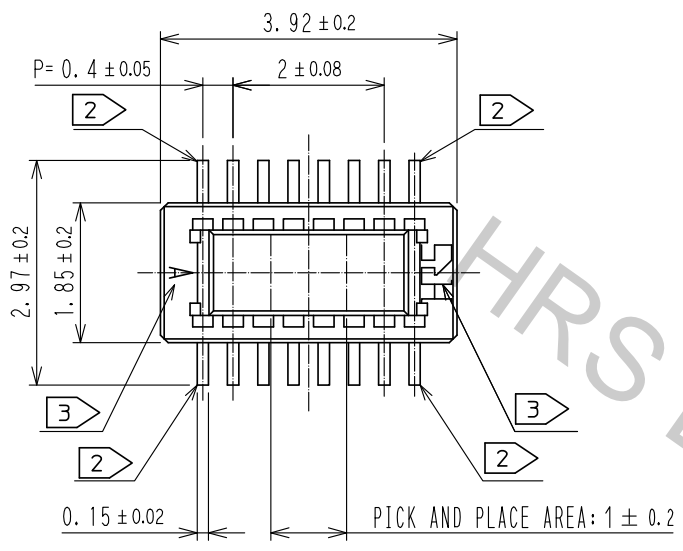
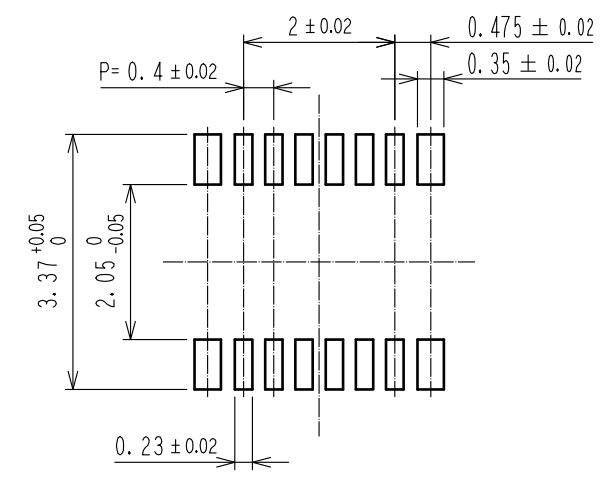


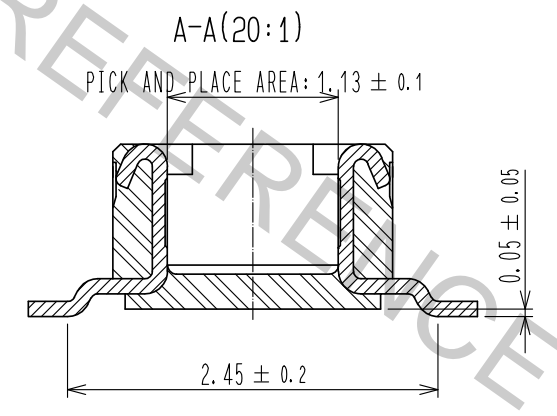
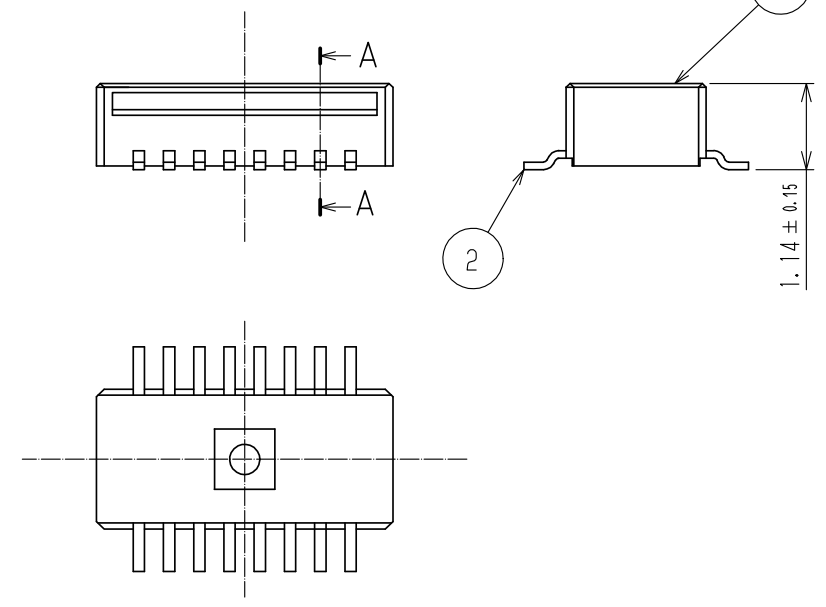
Apr.1.2017 Copyright 2017 HIROSE ELECTRIC CO., LTD. All Rights Reserved.



RECOMMENDED PATTERN



RECOMMENDED METAL MASK THICKNESS: 120μm
 RECOMMENDED METAL MASK OPENING RATIO: 80% FOR LEAD PAD

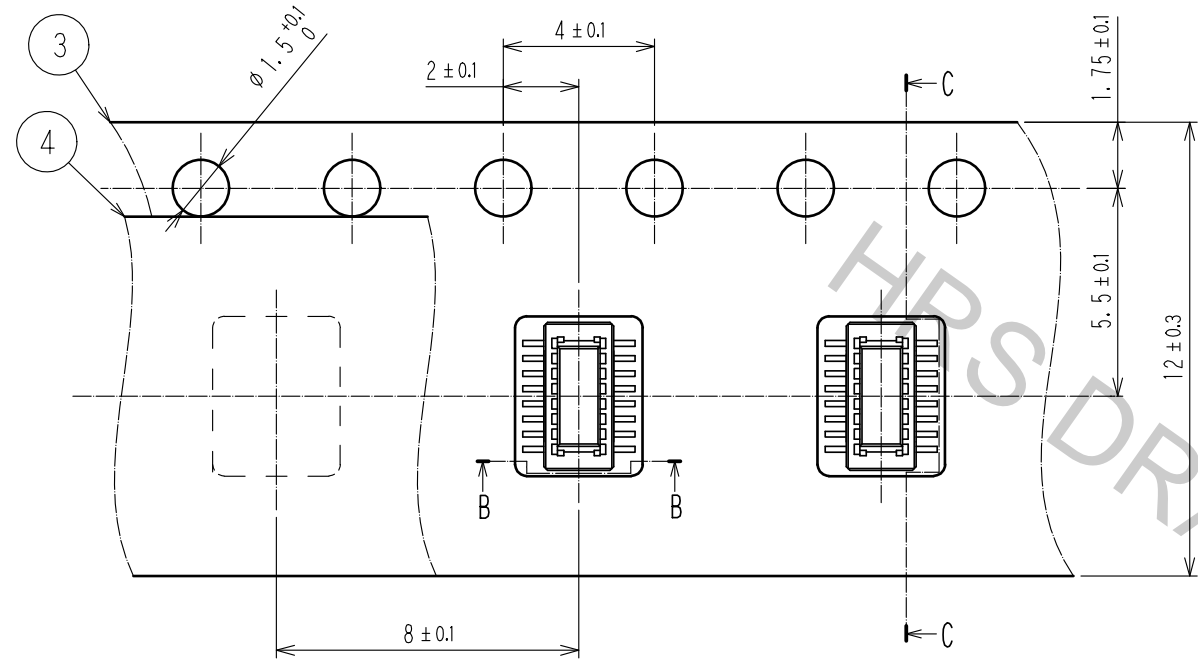


- NOTES)
- 1. ALL LEADS CO-PLANARITY SHALL BE 0.1mm MAX.
 - 2. EACH ONE CONTACT AT 4 CORNERS SHALL BE USED AS METAL HOLD DOWN.
 - 3. HRS MARK AND CAV NO. ARE INDICATED IN APPROX POSITION SHOWN.

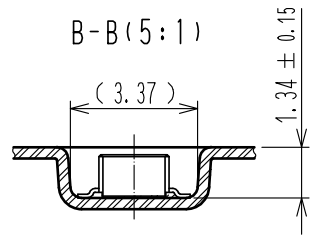
NO.	MATERIAL	FINISH . REMARKS	NO.	MATERIAL	FINISH . REMARKS
2	PHOSPHOR BRONZE	CONTACT AREA:GOLD 0.05μm MIN SMT LEAD:GOLD 0.05μm MIN UNDERPLATING:NICKEL 1μm MIN	6	PS	CLEAR, REINFORCEMENT COLLAR
			5	PS	BLACK, PLASTIC REEL
			4	POLYESTER	CLEAR, COVER TAPE
1	LCP	BLACK, UL94V-0	3	PS	CLEAR, EMBOSSED CARRIER TAPE

UNITS	SCALE	COUNT	DESCRIPTION OF REVISIONS	DESIGNED	CHECKED	DATE
mm	10 : 1	△				
HIROSE ELECTRIC CO., LTD.			APPROVED : MO. ISHIDA 16. 10. 05 CHECED : TS. MIYAZAKI 16. 10. 05 DESIGNED : SH. HOSODA 16. 10. 05 DRAWN : SN. NUMAZAKI 16. 10. 04	DRAWING NO. EDC-330343-58-01 PART NO. DF40C-12DP-0.4V(58) CODE NO. CL684-4149-9-58		

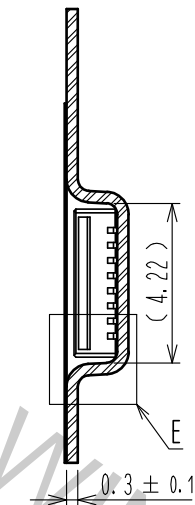
EMBOSSED CARRIER TAPE PACKAGING (5:1)



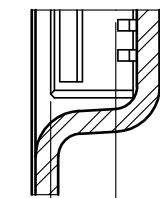
DIRECTION OF UNREELING \rightarrow



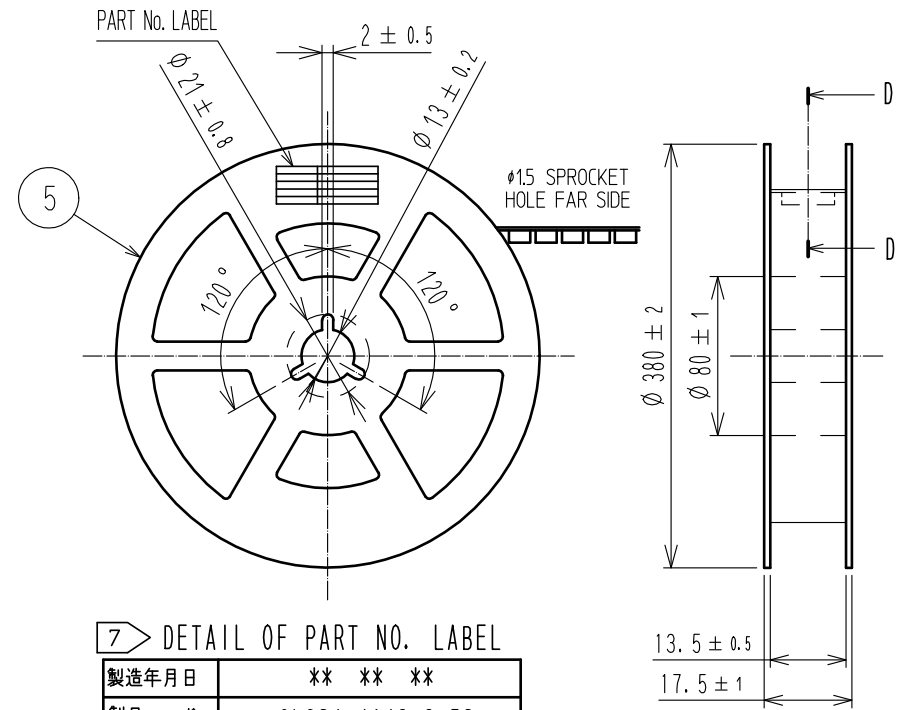
C-C (5:1)



E (10:1)



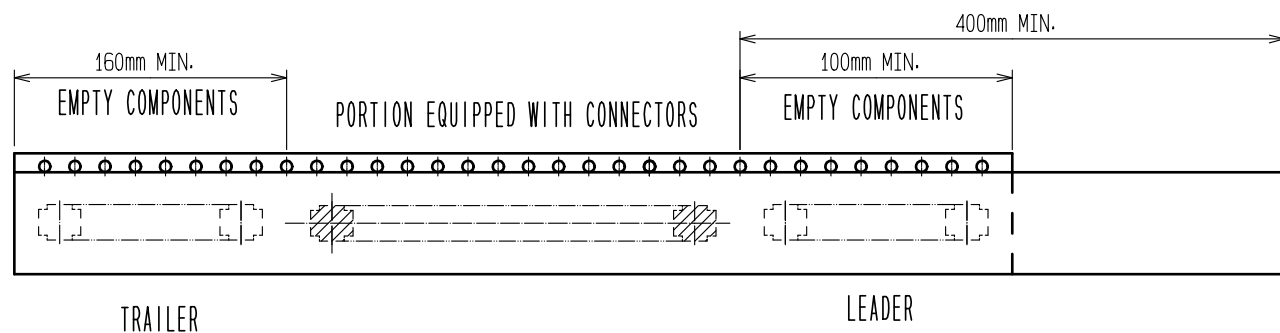
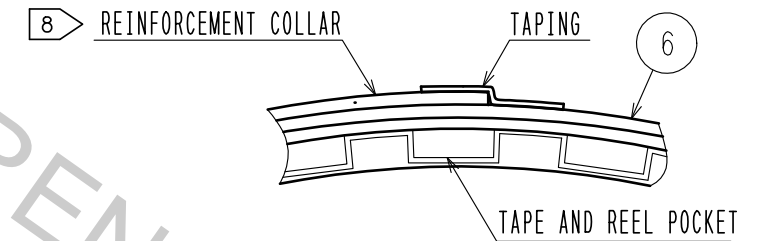
STYLE AND DIMENSIONS OF REEL (FREE)



7) DETAIL OF PART NO. LABEL

製造年月日	** ** *
製品コード	CL684-4149-9-58
製品名	DF40C-12DP-0.4V(58)
数量	1,000
納入者	ヒロセ電機(株)

D-D (FREE)



6) TAPING (FREE)

- NOTES
- PER REEL 1000 CONNECTORS.
 - THE DIMENSIONS IN PARENTHESES ARE FOR REFERENCE.
 - REFER TO JIS C 0806 (PACKING OF COMPONENTS FOR AUTOMATIC HANDLING)
 - DETAIL OF PART NO. LABEL IS WRITTEN IN JAPANESE
 PART NO. LABEL DESCRIBES THE FOLLOWING INFORMATION FROM TOP.
 Production Date:
 Product Code: CL684-4149-9-58
 Part Number: DF40C-12DP-0.4V(58)
 Number of pieces: 1000 pieces
 Supplier Name: Hirose Electric Co., Ltd.
 - AFTER PACKAGING, ROLL 2 METERS OF THE REINFORCEMENT COLLAR TO OUTER CIRCUMFERENCE OF TAPE AND REEL POCKET, AND TAPE DOWN AT THE END THE COLLAR.

HRS	DRAWING NO.	EDC-330343-58-01
	PART NO.	DF40C-12DP-0.4V(58)
	CODE NO.	CL684-4149-9-58
		\triangle 2/2