

4

3

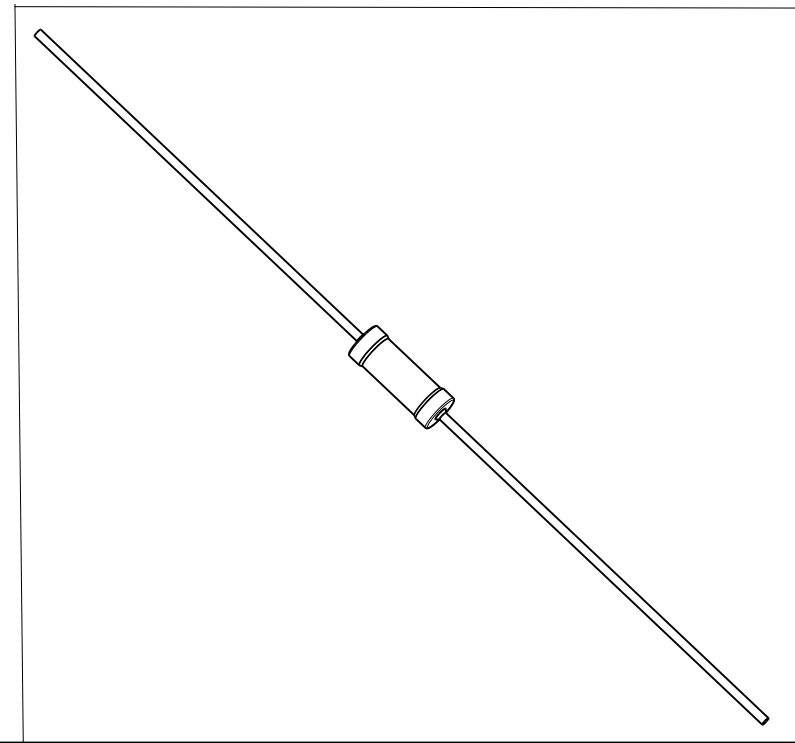
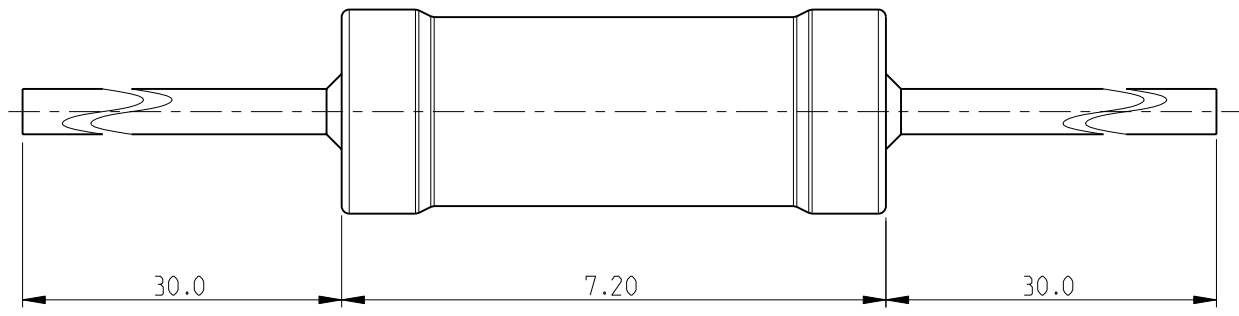
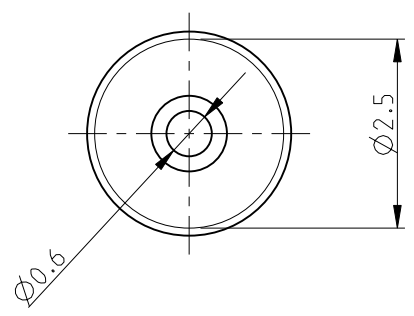
2

1

THIS DRAWING IS UNPUBLISHED. RELEASED FOR PUBLICATION 2009
 © COPYRIGHT 2009 BY TYCO ELECTRONICS CORPORATION. ALL RIGHTS RESERVED.

| LOC | DIST | REVISIONS | | | |
|-----|------|-------------|-------------|--------------|---------|
| P | LTR | DESCRIPTION | DATE | DWN | APVD |
| E | B | BA | NEW RELEASE | 16 JUNE 2010 | PT St.P |

FOR FURTHER INFORMATION SEE DATA SHEET FOR SERIES HOLCO, AXIAL LEADED PRECISION RESISTORS



RoHS Compliant

| | | | | | |
|---|---|---|--|--------|--|
| <small>THIS DRAWING IS A CONTROLLED DOCUMENT FOR TYCO ELECTRONICS CORPORATION IT IS SUBJECT TO CHANGE AND THE CONTROLLING ENGINEERING ORGANIZATION SHOULD BE CONTACTED FOR THE LATEST REVISION.</small> | | DWN PARUSURAM.T 16 JUNE 2010 CHK ALLAN.P 16 JUNE 2010 APVD STEPHEN.P 16 JUNE 2010 | Tyco Electronics Corporation Dorcan, Swindon, SN3 5HH | | |
| DIMENSIONS: mm | TOLERANCES UNLESS OTHERWISE SPECIFIED: 0 PLC ± 0.2 1 PLC ± 0.1 2 PLC $\pm -$ 3 PLC $\pm -$ 4 PLC $\pm -$ ANGLES $\pm 5^\circ$ | PRODUCT SPEC - APPLICATION SPEC - WEIGHT - | NAME AXIAL LEADED PRECISION RESISTORS SERIES HOLCO H8 | | |
| MATERIAL - | FINISH - | SIZE A3 CAGE CODE 00779 DRAWING NO C-1879646 | RESTRICTED TO - | | |
| CUSTOMER DRAWING | | SCALE 10:1 | SHEET 1 OF 1 | REV BA | |