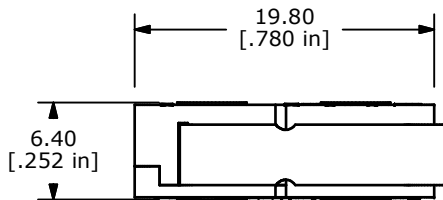
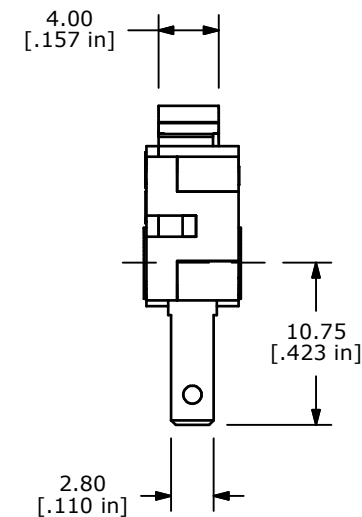
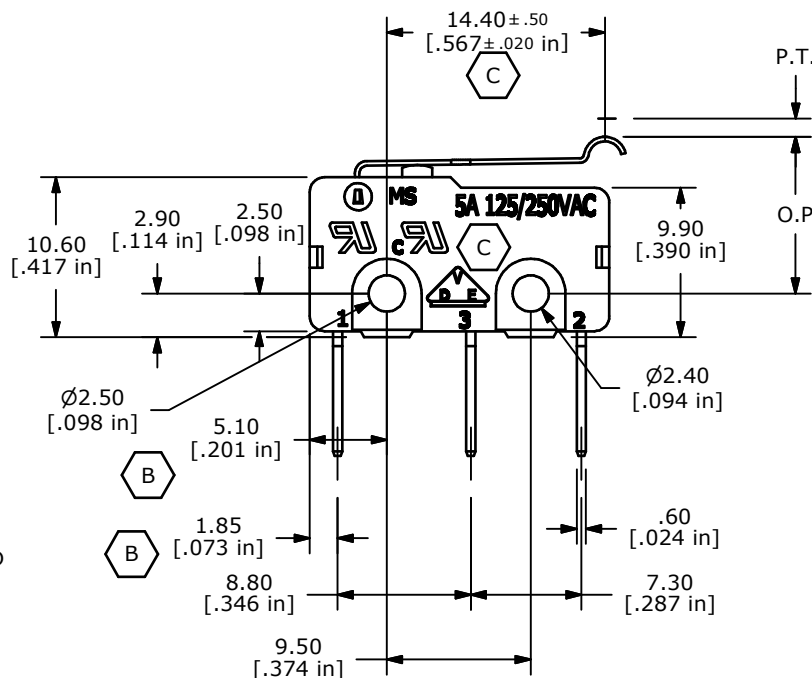
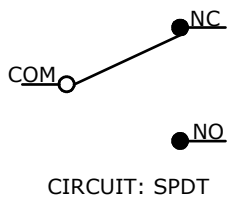


ISOMETRIC



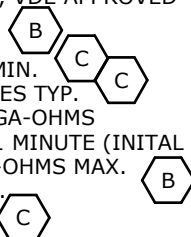
B	O.P. (MM)	P.T. (MM)
	10.9±1.0	3.2 MAX.

O.P. = OPERATING POINT
P.T. = PRE-TRAVEL



NOTES:

1. ALL DIMENSIONS IN MM [INCH]
2. GENERAL TOLERANCE: X.X±0.4
X.XX±0.25
3. RATING: 5A @125/250VAC UL, CUL, VDE APPROVED
- ▲ 4. OPERATING FORCE: 35± 20 GRAMS
5. OPERATING TEMP: -25°C TO 85°C
6. ELECTRICAL LIFE: 50,000 CYCLES MIN.
7. MECHANICAL LIFE: 1,000,000 CYCLES TYP.
8. INSULATION RESISTANCE: 100 MEGA-OHMS
9. DIELECTRIC STRENGTH: 1000VAC 1 MINUTE (INITIAL VALUE)
10. CONTACT RESISTANCE: 100 MILLI-OHMS MAX.
11. ▲ DENOTES CRITICAL PARAMETER.
12. 2002/95/EC (ROHS) COMPLIANT



C	15643	CHANGES NOTED	12/29/05	PH
B	14888	CHANGED NOTES AND DIMMENSIONS	4/29/05	JB
A	14692	RELEASED FOR PRODUCTION	2/15/05	AR
REV	PCR NO	DESCRIPTION	DATE	BY



TITLE MS0850504F035C1A				
SCALE	DATE	DR	DWG	REV
2:1	2/8/2005	AR	Q970009	C

THE INFORMATION CONTAINED IN THIS DOCUMENT IS PROPRIETARY TO E-SWITCH AND IS NOT TO BE COPIED OR TRANSFERRED