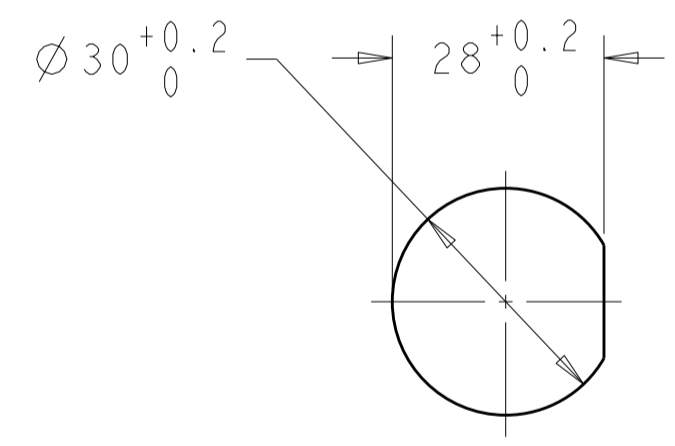
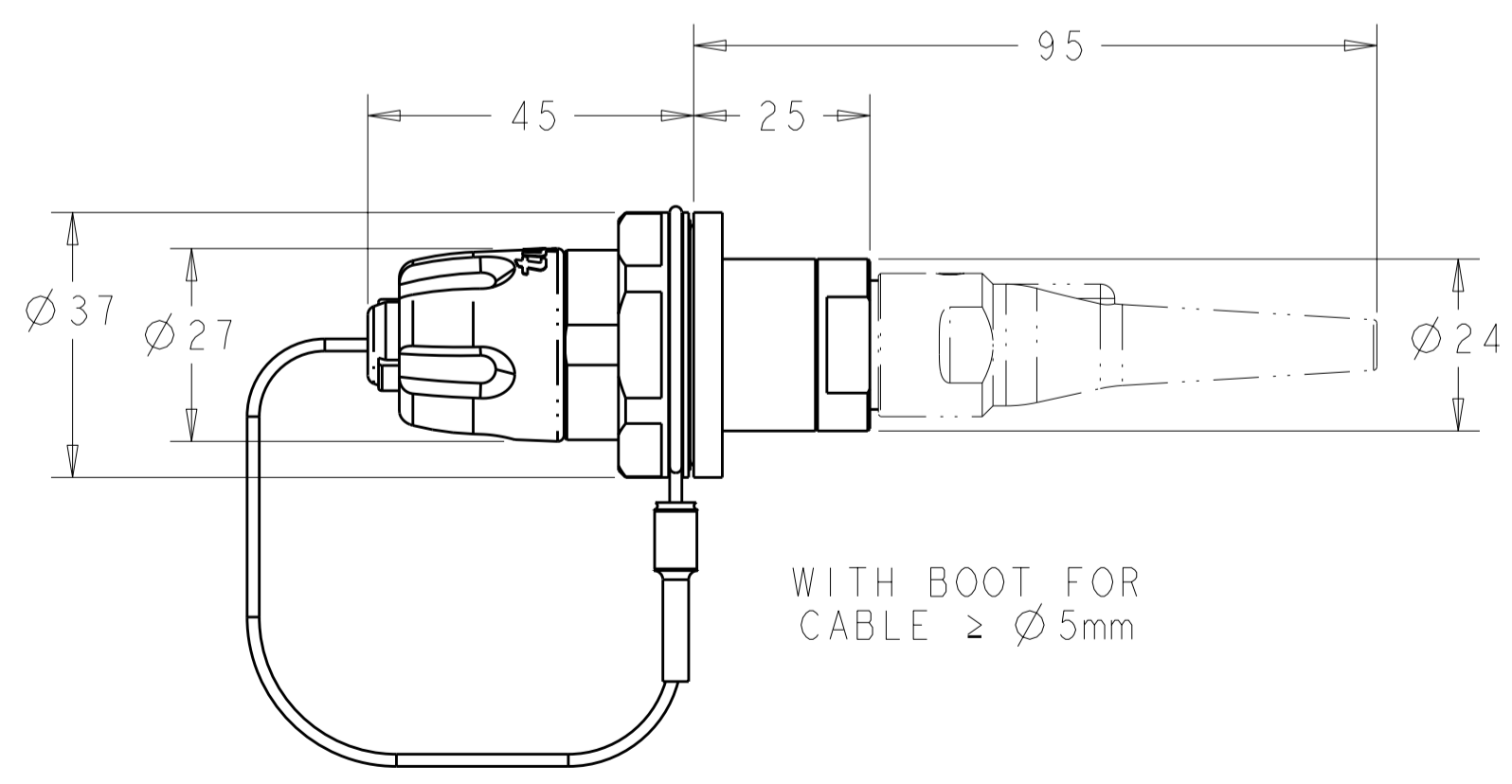
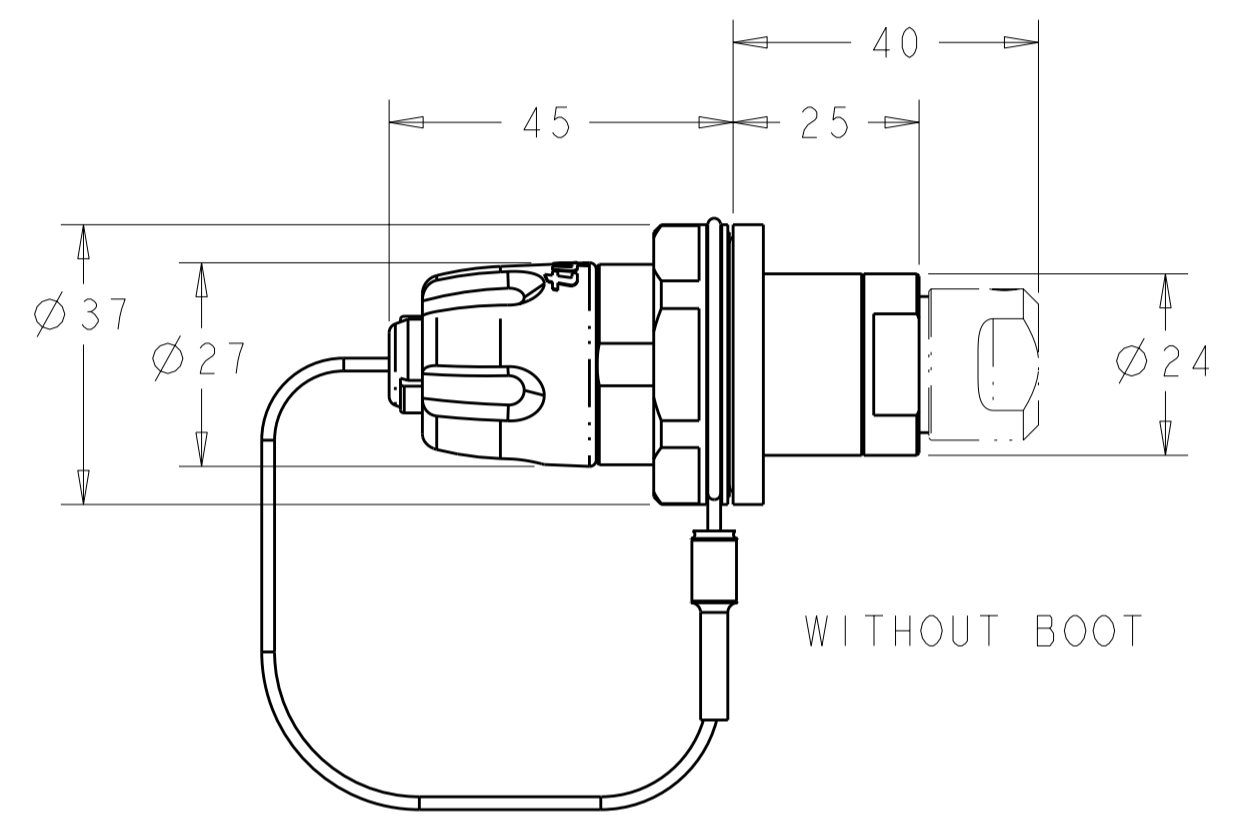
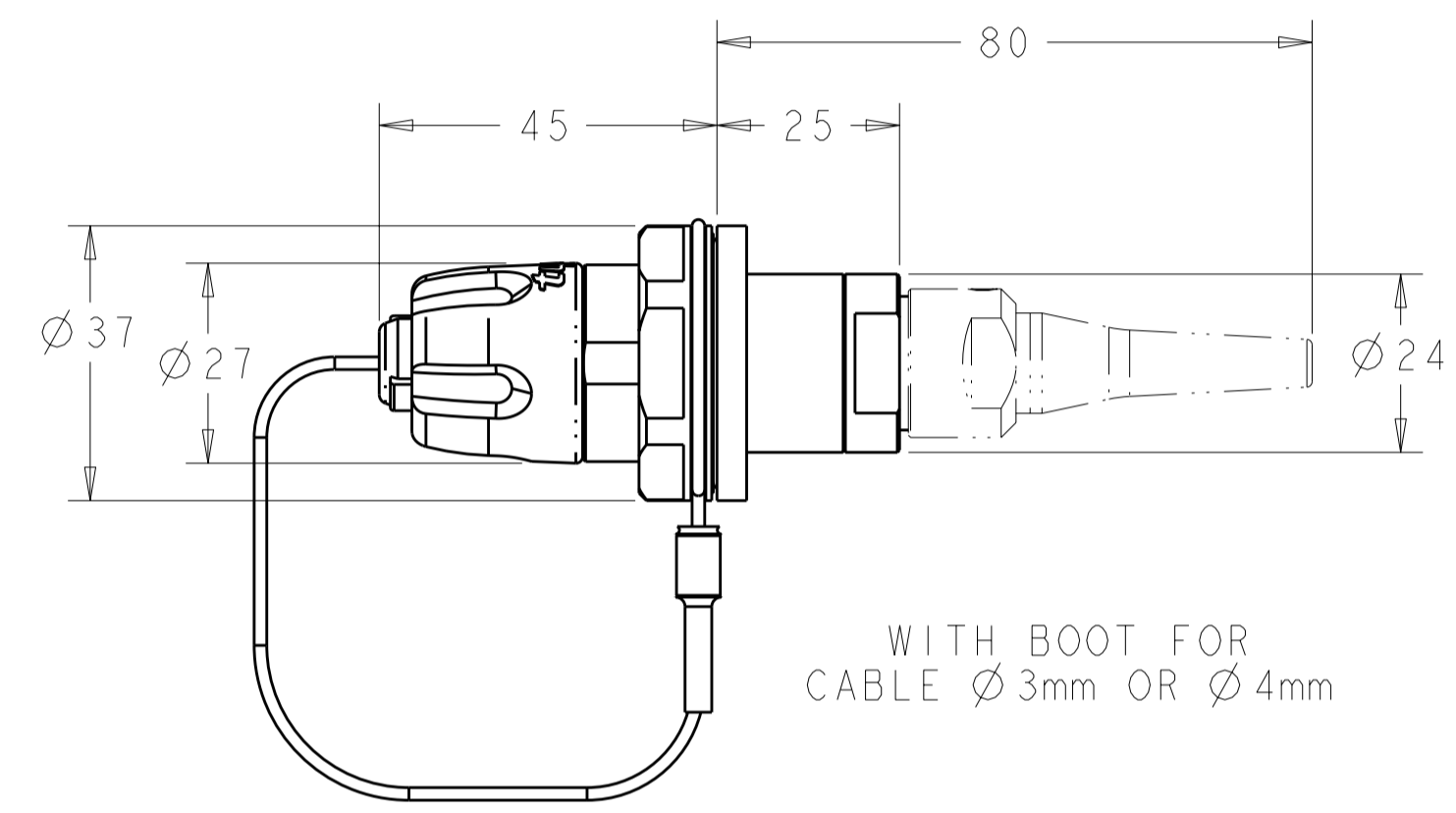


THIS DRAWING IS UNPUBLISHED. RELEASED FOR PUBLICATION 20
 © COPYRIGHT 20 BY TYCO ELECTRONICS CORPORATION. ALL RIGHTS RESERVED.

LOC	DIST	REVISIONS			
P	LTR	DESCRIPTION	DATE	DWN	APVD
	I	PPR 06-895	02JUN08	KG	DW
	A	ECR-08-027292	29OCT2008	KG	DW

- ASSEMBLY SHOWN FOR REFERENCE ONLY. SHIPPED LOOSE PIECE AS SHOWN ON PAGE 2.
- ALL ASSEMBLY DIMENSIONS ARE FOR REFERENCE ONLY.
- \triangle PANEL SHOULD BE BETWEEN 1mm AND 4mm THICKNESS.
- THIS PRODUCT HAS NOT COMPLETED VALIDATION TESTING.
- COMPLETE THE CONNECTOR ASSEMBLY BY ADDING EACH OF THE FOLLOWING PRO BEAM JR KITS:
 - EXPANDED BEAM INSERT ASSEMBLY KIT
 - CABLE ADAPTER KIT, SIZED TO THE CABLE JACKET DIAMETER
 - FERRULE KIT, ONE PER FIBER



RECOMMENDED PANEL \triangle CUT-OUT

NICKEL ALUMINUM BRONZE	1918939-2
ALUMINUM	1918939-1
HOUSING ALLOY	PART NUMBER

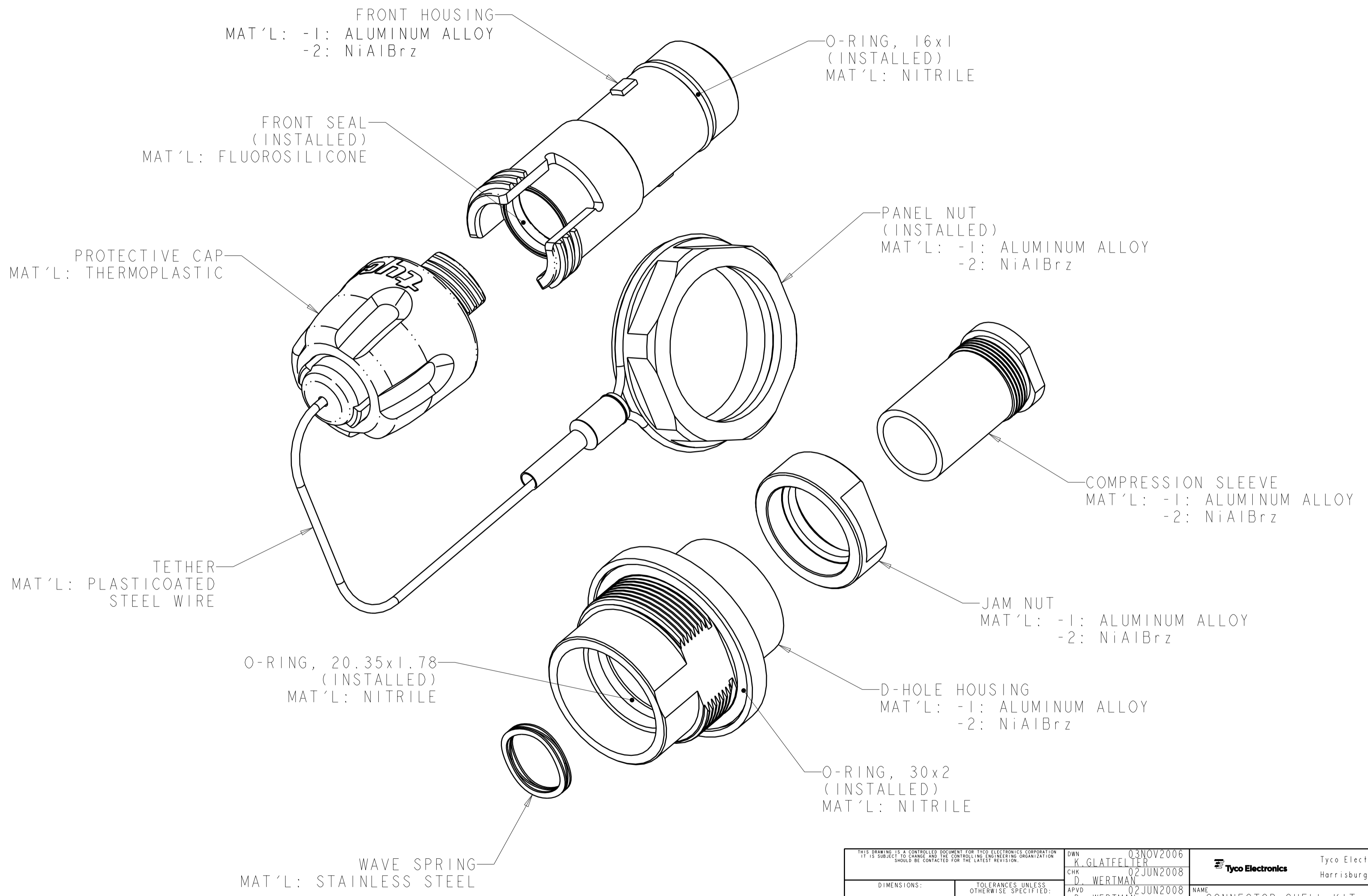
VIEWS SHOWN WITH CABLE ADAPTER VARIATIONS IN PHANTOM LINES FOR VISUAL AND DIMENSIONAL PURPOSES ONLY

THIS DRAWING IS A CONTROLLED DOCUMENT FOR TYCO ELECTRONICS CORPORATION. IT IS SUBJECT TO CHANGE AND THE CONTROLLING ENGINEERING ORGANIZATION SHOULD BE CONTACTED FOR THE LATEST REVISION.		DWN K. GLATFELTER 03NOV2006	Tyco Electronics Harrisburg, PA 17105-3608	
DIMENSIONS: mm		CHK D. WERTMAN 02JUN2008	NAME CONNECTOR SHELL KIT, STD. D-HOLE BULKHEAD, PRO BEAM JR.	
TOLERANCES UNLESS OTHERWISE SPECIFIED: 0 PLC \pm 1 PLC \pm 2 PLC \pm 3 PLC \pm 4 PLC \pm ANGLES \pm		APVD D. WERTMAN 02JUN2008	RESTRICTED TO	
MATERIAL: HARD ANODIZE (AI ONLY)		PRODUCT SPEC: -	SIZE: A2	CAGE CODE: 00779
FINISH: -		APPLICATION SPEC: -	DRAWING NO: 1918939	REV: A
CUSTOMER DRAWING		WEIGHT: -	SCALE: 1:1	SHEET 1 OF 2

THIS DRAWING IS UNPUBLISHED. RELEASED FOR PUBLICATION 20
 © COPYRIGHT 20 BY TYCO ELECTRONICS CORPORATION. ALL RIGHTS RESERVED.

LOC	DIST	REVISIONS					
CE	16	P	LTR	DESCRIPTION	DATE	DWN	APVD
		-		SEE SHEET 1			

1. SHIPPED LOOSE PIECE AS SHOWN.



<small>THIS DRAWING IS A CONTROLLED DOCUMENT FOR TYCO ELECTRONICS CORPORATION. IT IS SUBJECT TO CHANGE AND THE CONTROLLING ENGINEERING ORGANIZATION SHOULD BE CONTACTED FOR THE LATEST REVISION.</small>		DWN K. GLATFELTER 03NOV2006 CHK D. WERTMAN 02JUN2008 APVD D. WERTMAN 02JUN2008	Tyco Electronics Tyco Electronics Harrisburg, PA 17105-3608
DIMENSIONS: mm 	TOLERANCES UNLESS OTHERWISE SPECIFIED: 0 PLC ± 1 PLC ± 2 PLC ± 3 PLC ± 4 PLC ± ANGLES ±	PRODUCT SPEC APPLICATION SPEC WEIGHT	NAME CONNECTOR SHELL KIT, STD. D-HOLE BULKHEAD, PRO BEAM JR. SIZE A200779
MATERIAL AS LISTED	FINISH HARD ANODIZE (AI ONLY)	CUSTOMER DRAWING	DRAWING NO C-1918939 RESTRICTED TO SCALE 2:1 SHEET 2 OF 2 REV A