

**SAFETY ORGANIZATION(S):**

THIS FILTER HAS BEEN FORMALLY RECOGNIZED, CERTIFIED OR APPROVED BY THE LISTED AGENCY. THEREFORE, ALL TEST/REQUIREMENTS SPECIFIED IN THE LATEST REVISION OF THE FOLLOWING AGENCY STANDARDS HAVE BEEN MET:

- UL 1283
- CSA 22.2, NO. 0, 0.4, 8
- VDE 565-3

**OPERATING SPECIFICATIONS:**

- LINE VOLTAGE/CURRENT: 20 AMP., 120/250 VAC
- LINE FREQUENCY: 16 AMP./40°C, 250 VAC
- MAX. CASE RISE  $\theta$  RATED CURRENT: 50-60Hz
- MAX. LEAKAGE CURRENT, EACH LINE TO GROUND: 40°C
- OPERATING AMBIENT TEMP. RANGE: 0.5mA at 120V 60 Hz
- IN AN AMBIENT,  $T_a$ , HIGHER THAN 40°C, THE MAXIMUM OPERATING CURRENT,  $I_o$ , IS AS FOLLOWS: 1.0 mA at 250V 50 Hz
- RELIAIBILITY SPECIFICATIONS: -10°C TO +40°C  $\theta$  RATED CURRENT,  $I_r$

$$I_o = I_r \sqrt{\frac{85 - T_a}{45}}$$

**RELIABILITY SPECIFICATIONS:**

- STORAGE TEMPERATURE: -40°C TO +85°C
- HUMIDITY: 21 DAYS @ 40°C 95% RH
- CURRENT OVERLOAD TEST: 6 TIMES RATED CURRENT FOR 8 SECONDS

**TEST SPECIFICATIONS:**

- INDUCTANCE: .96 mH NOMINAL
- CAPACITANCE: (MEASURED @ 1 KHZ, 0.25 VAC MAX., 25°C  $\pm$ 1°C)
- LINE TO GROUND: .011  $\mu$ F  $\pm$ 20%
- LINE TO LINE: .813  $\mu$ F  $\pm$ 20%
- DISCHARGE RESISTOR: 330 K $\Omega$
- LINE/GROUND AND LINE/LINE INSULATION RESISTANCE (W/O DISCHARGE RESISTOR): 6000 M $\Omega$  (MIN) AT 100 VDC
- 20°C AND 50% RH

**RECOMMENDED RECEIVING INSPECTION HIPOT:**

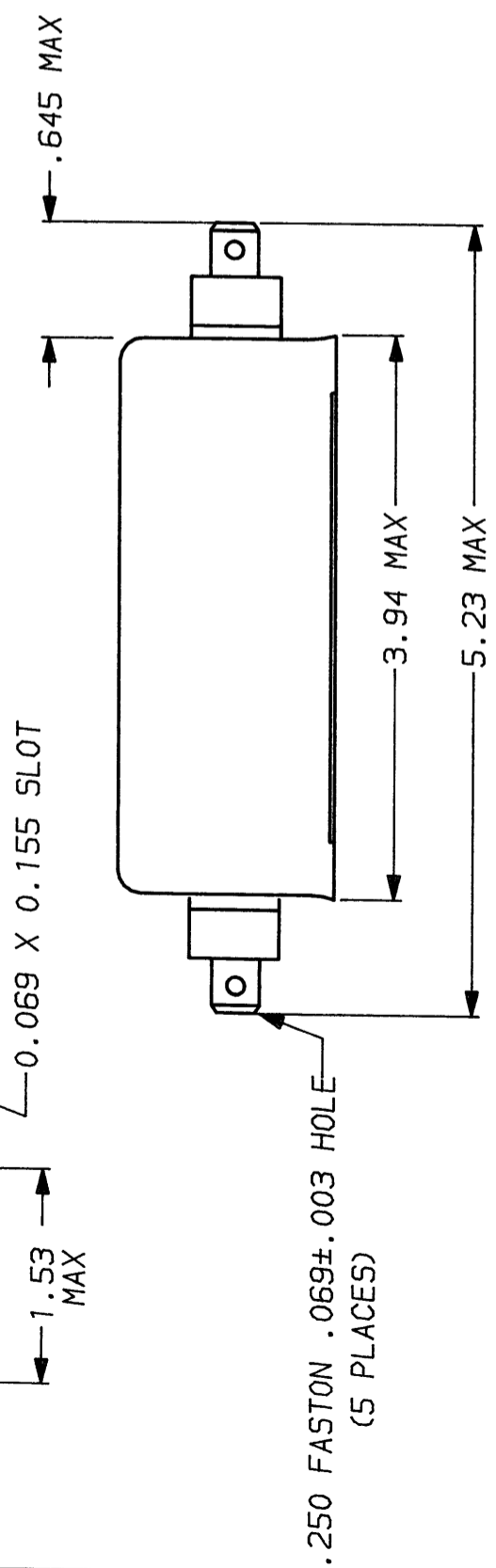
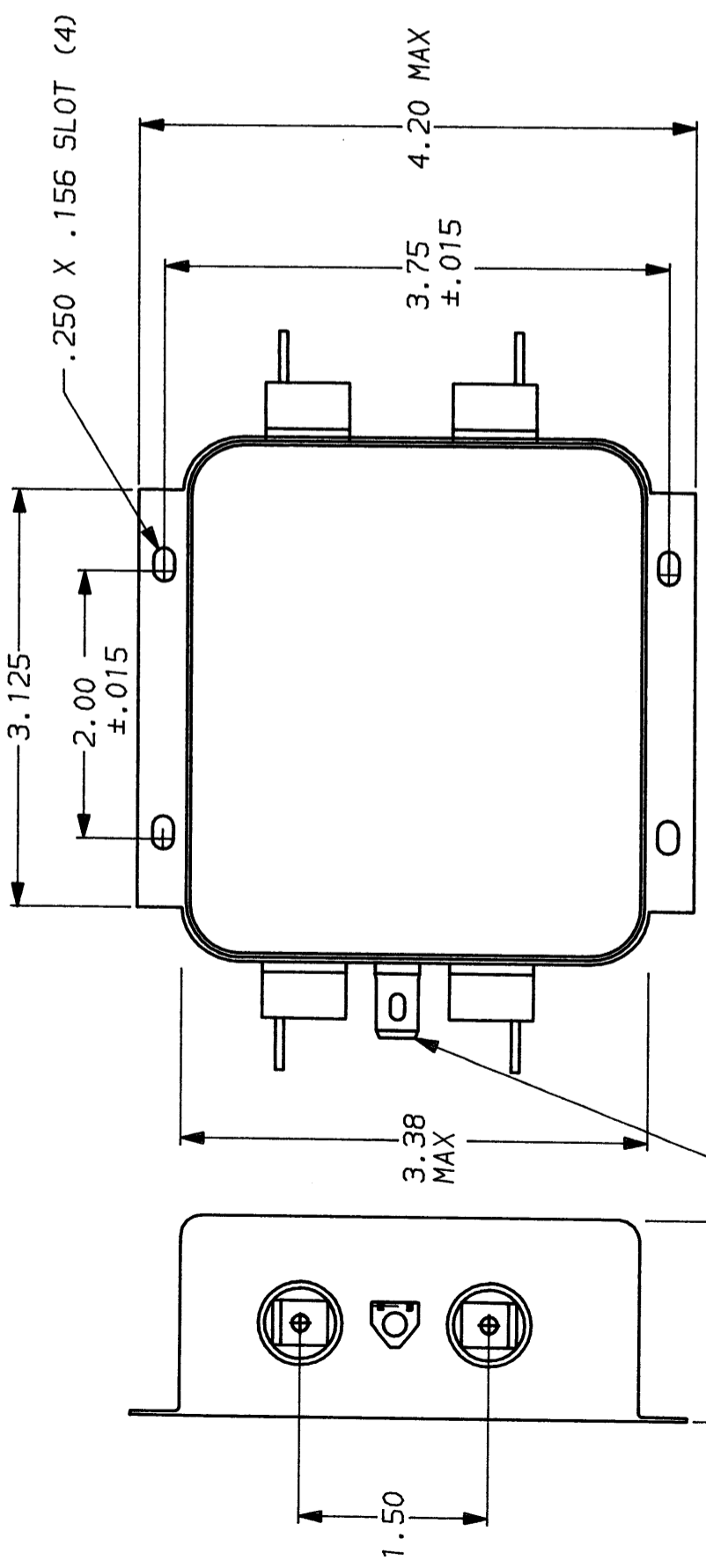
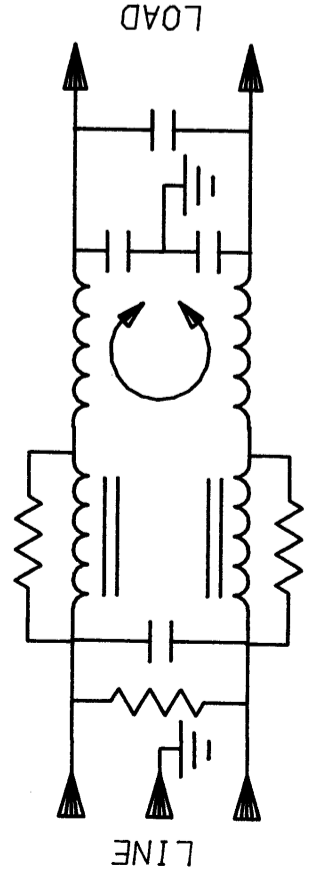
- LINES TO GROUND: 2250 VDC FOR 1 MINUTE
- LINE TO LINE: 1450 VDC FOR 1 MINUTE

**FILTER APPROVAL:**

THE BEST WAY TO SELECT AND QUALIFY A FILTER IS FOR YOUR ENGINEERING TO TEST THE UNIT IN YOUR EQUIPMENT.

50 $\Omega$ - 50 $\Omega$ (MINIMUM)		INSERTION LOSS							
FREQUENCY MHz	15	15	30	40	65	65	50	48	48
COMMON dB	.5	1	2	5	10	20	30		
DIFF. dB	15	30	38	38	32	43	42	40	

This document is proprietary to CORCOM INC. and is not to be reproduced nor used for manufacturing purposes except on CORCOM's order or prior written consent.



**CORCOM**  
LIBERTYVILLE, IL 60048

**POWER LINE FILTER**

SCALE: NTS 9-12-89  
DATE: 9-12-89  
DRW. BY: TDL  
ORIGINATOR: CW

DRG. NO.: 20VS1.07  
REV.

TOLERANCE EXCEPT AS NOTED  
DECIMAL: .XXX .XX .X ANGLES  $\pm$  1°  
ENGLISH:  $\pm$ .025  
METRIC:  $\pm$  —

MATERIAL: AS SUPPLIED

FINISH: AS SUPPLIED