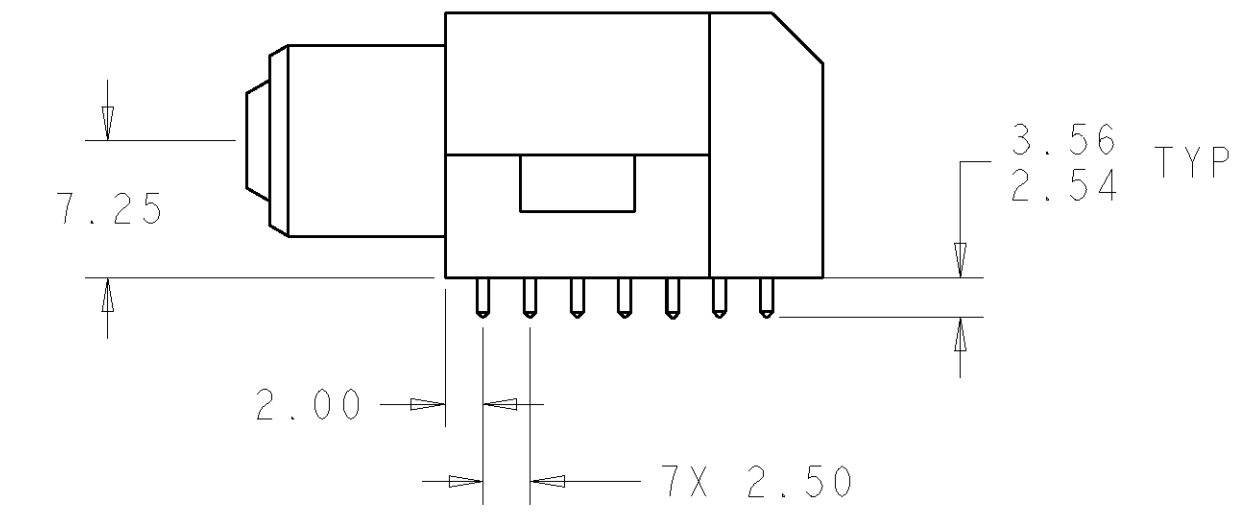
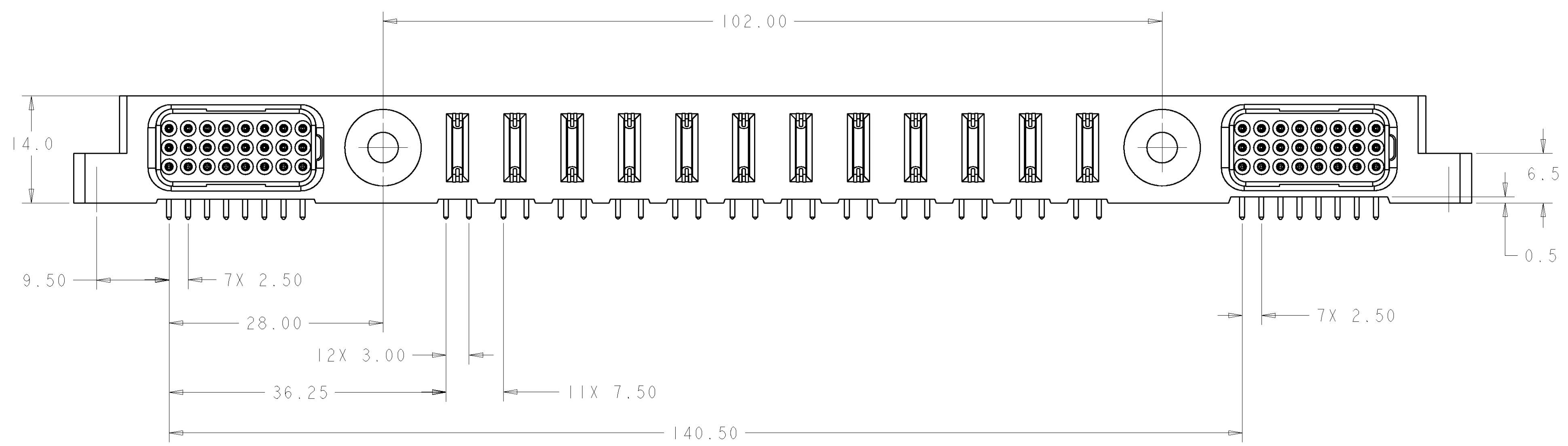
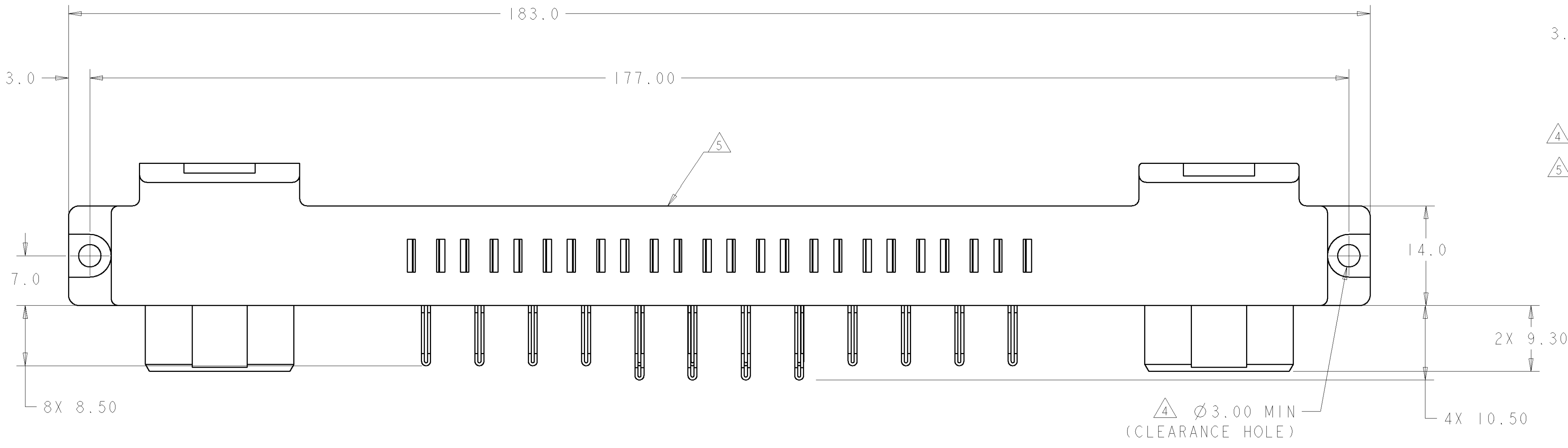


| LOC | DIST | REVISIONS | | | |
|-----|------|-------------|-----------|-----|------|
| P | LTR | DESCRIPTION | DATE | DWN | APVD |
| A | | NEW RELEASE | 030CT2007 | RG | PD |

- PART NUMBER CHANGES AND OR DESIGN CHANGES AFFECTING ITEM INTERCHANGEABILITY REQUIRE PRIOR TYCO ELECTRONICS APPROVAL AND AUTHORIZATION BY REVISION TO THIS DRAWING.
- MATERIAL:
 - INSULATORS - THERMOPLASTIC, GLASS REINFORCED, COLOR: BLACK, UL94V-0 FLAMMABILITY RATED.
 - POWER CONTACTS - PHOSPHOR BRONZE ALLOY, COPPER ALLOY
 - SOLDER SIGNAL PINS-BRASS ALLOY
 - CROWN BAND-BERYLLIUM COPPER ALLOY
- FINISH:
 - CONTACTS - GOLD PLATE 0.76µm MIN. THK., OVER NICKEL 1.27µm MIN. THK
 - SOLDER TAILS, TIN 3.05µm MIN. THK. OVER NICKEL 1.27µm MIN. THK

- △4 MOUNTING FLANGES ACCEPT M3 OR #4-40 SCREWS, (USER SUPPLIED)
- △5 ITEMS PROVIDED TO THIS SPECIFICATION TO BE PERMANENTLY IDENTIFIED PER THE FOLLOWING IDENTIFIER LABEL

YEAR WEEK
 TYCO ELECTRONICS P/N DATE CODE (e.g. 0106)
 XXXXXXXX-X XXXX

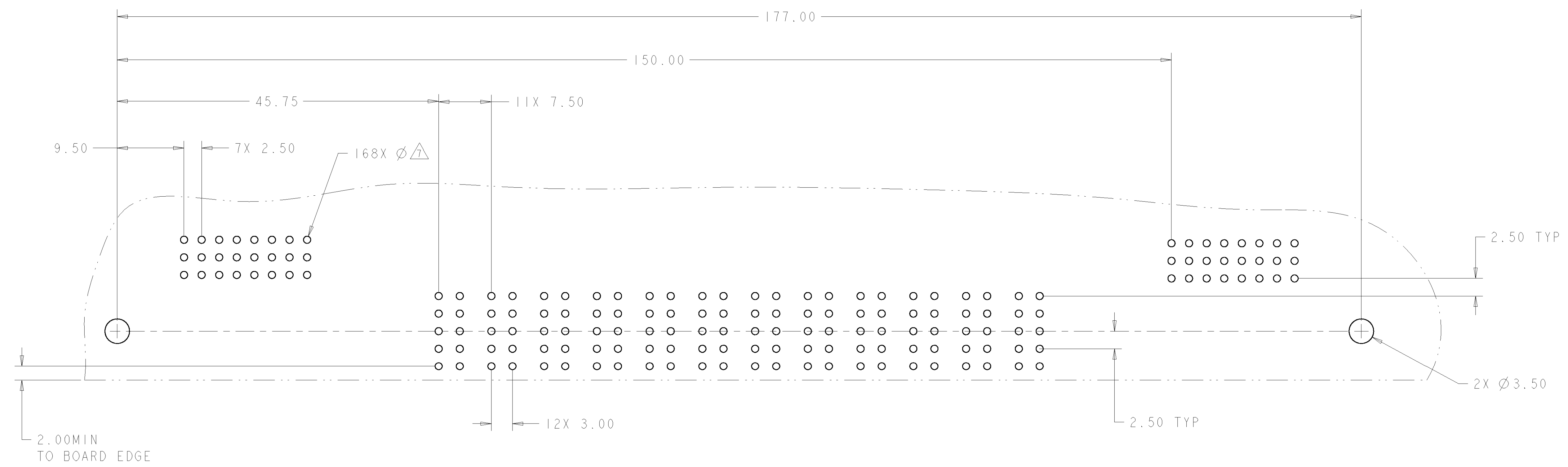


ELCON FLATPAQ

| | |
|-------------|-------------|
| AS SHOWN | 6646795-1 |
| DESCRIPTION | PART NUMBER |

| | | | |
|---|--|---|--|
| DIMENSIONS: mm [INCHES] TOLERANCES UNLESS OTHERWISE SPECIFIED: 0 PLC ±.3 1 PLC ±.3 2 PLC ±.15 3 PLC ±. 4 PLC ±. ANGLES ±.5 | | DWN: B. GRZYBOWSKI 030CT07 ENR: S. FLICKINGER 030CT07 APVD: S. FLICKINGER 030CT07 PRODUCT SPEC: - APPLICATION SPEC: - WEIGHT: - CUSTOMER DRAWING: - | Tyco Electronics Harrisburg, PA 17105-3608 NAME: PIN CONNECTOR, RIGHT ANGLE, SOLDER TAILS, FLATPAQ SIZE: A 00779 C=6646795 SCALE: 3:1 SHEET 1 OF 3 REV A |
|---|--|---|--|

| LOC | DIST | REVISIONS | | | |
|-----|------|-------------|------|-----|------|
| P | LTR | DESCRIPTION | DATE | DWN | APVD |
| - | - | SEE SHEET 1 | - | - | - |
| | | | | | |
| | | | | | |



PRINTED CIRCUIT LAYOUT
 COMPONENT SIDE

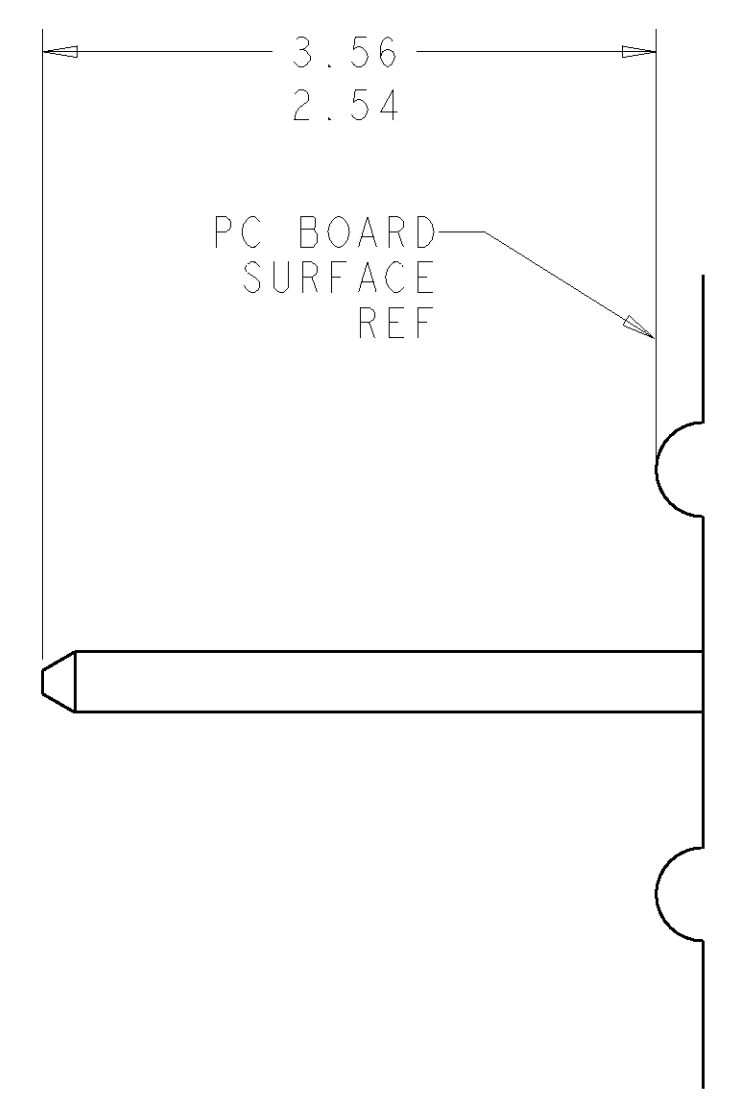
| CONNECTOR | EQUIVALENT CATALOG MODULE # | SIZE NO. | CONTACT QTY | MATING PIN | MAX. CURRENT (PER CONTACT) | CONTACT SPACING | VOLTAGE RATING | |
|-----------------------|-----------------------------|----------|-------------|------------|------------------------------|-----------------|----------------|-----------|
| PIN | DEDICATED HOUSING | POWER | 8 | 12 | 1.25 X 7.00 [.049 X .276] | 35 amps | 7.50 [.2953] | 250 VOLTS |
| | | SIGNAL | 22 | 48 | .64 [.025] SQ. | 3 amps | 2.50 [.0984] | 125 VOLTS |
| LEFT MOUNTING FLANGE | | | | | | | | |
| RIGHT MOUNTING FLANGE | | | | | | | | |

DIMENSIONS: mm [INCHES]
 TOLERANCES UNLESS OTHERWISE SPECIFIED:
 0 PLC ±.3
 1 PLC ±.3
 2 PLC ±.15
 3 PLC ±.15
 4 PLC ±.15
 ANGLES ±.5
 FINISH -
 MATERIAL -
 WEIGHT -
 CUSTOMER DRAWING

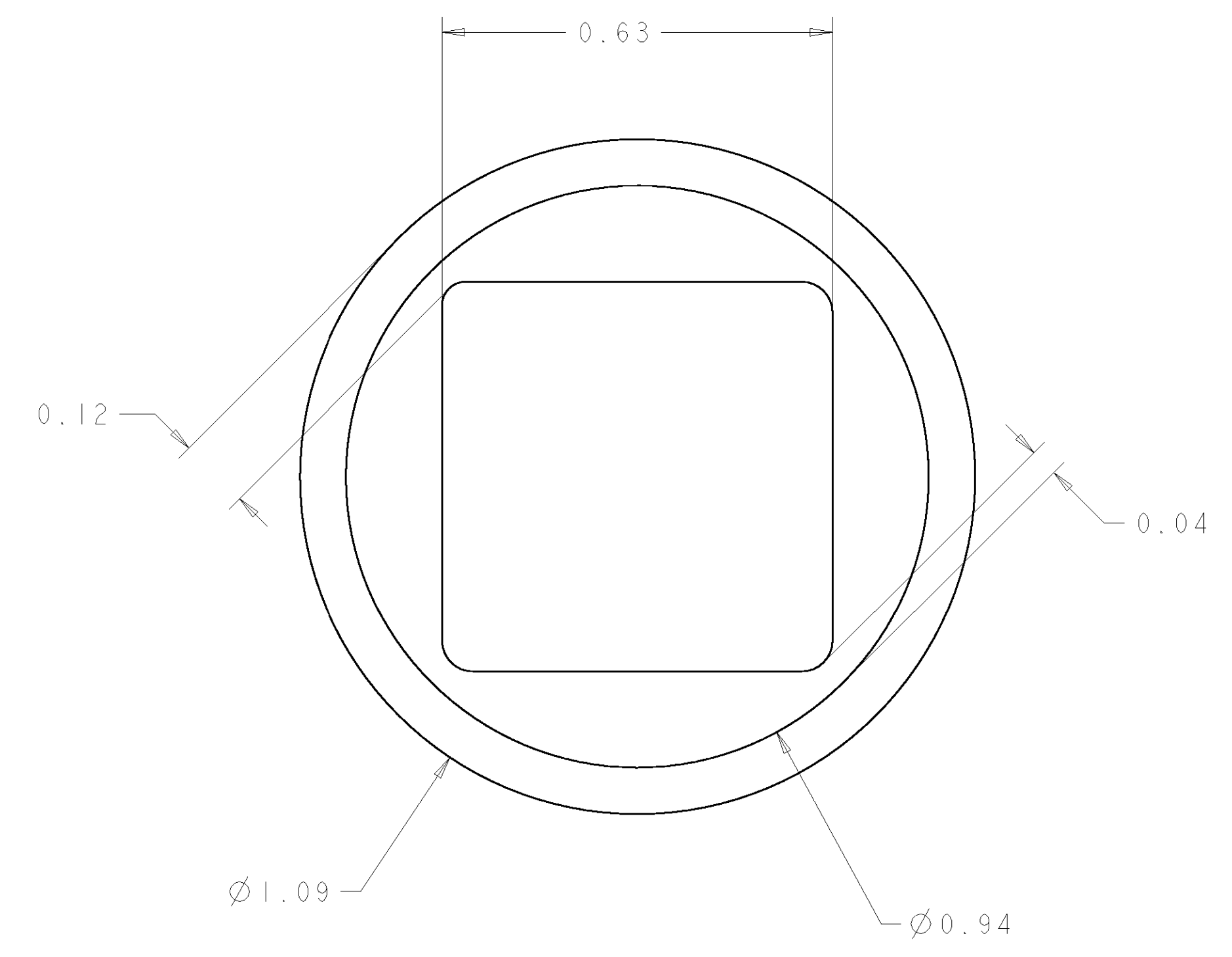
DWN: B. GRZYBOWSKI
 ENR: S. FLICKINGER
 APVD: S. FLICKINGER
 NAME: PIN CONNECTOR, RIGHT ANGLE, SOLDER TAILS, FLATPAQ
 SIZE: A | 00779 | C=6646795
 SCALE: 3:1 SHEET 2 OF 3 REV A

Tyco Electronics
 Harrisburg, PA 17105-3608

| LOC | DIST | REVISIONS | | | |
|-----|------|-------------|------|-----|------|
| P | LTR | DESCRIPTION | DATE | DWN | APVD |
| - | - | SEE SHEET 1 | - | - | - |
| | | | | | |
| | | | | | |



6. SOLDER PIN DETAIL
SCALE 10 : 1



⚠ SOLDER TERMINATION AREA
 SCALE 40:1
 RECOMMENDED PRINTED CIRCUIT SOLDER HOLE
 FINISHED HOLE: Ø1.02 [.040] ±.08 [.003]
 DRILLED HOLE: Ø1.15 [.0453] ±.013 [.0005]
 COPPER PLATE: .025 [.0010] MIN.
 TIN PLATE: .008 [.0003] MIN. (PER SURFACE)

| | | | |
|---|--|--|---|
| <small>THE INFORMATION CONTAINED HEREIN IS UNCLASSIFIED EXCEPT WHERE SHOWN OTHERWISE. IT IS THE PROPERTY OF TYCO ELECTRONICS CORPORATION AND IS TO BE CONTAINED AND CONTROLLED BY THE USER'S ORGANIZATION. IT IS TO BE DESTROYED WHEN NO LONGER REQUIRED FOR THE USER'S POSITION.</small> | | DWN B. GRZYBOWSKI 03OCT07 ENR S. FLICKINGER 03OCT07 APVD S. FLICKINGER 03OCT07 | Tyco Electronics Harrisburg, PA 17105-3608 |
| DIMENSIONS: mm [INCHES] | TOLERANCES UNLESS OTHERWISE SPECIFIED: 0 PLC ±.3 1 PLC ±.3 2 PLC ±.15 3 PLC ±.15 4 PLC ±.15 ANGLES ±.5 FINISH - | NAME PRODUCT SPEC APPLICATION SPEC WEIGHT CUSTOMER DRAWING | PIN CONNECTOR, RIGHT ANGLE, SOLDER TAILS FLATPAQ SIZE CAGE CODE DRAWING NO A100779C=6646795 SCALE 3:1 SHEET 3 OF 3 REV A |