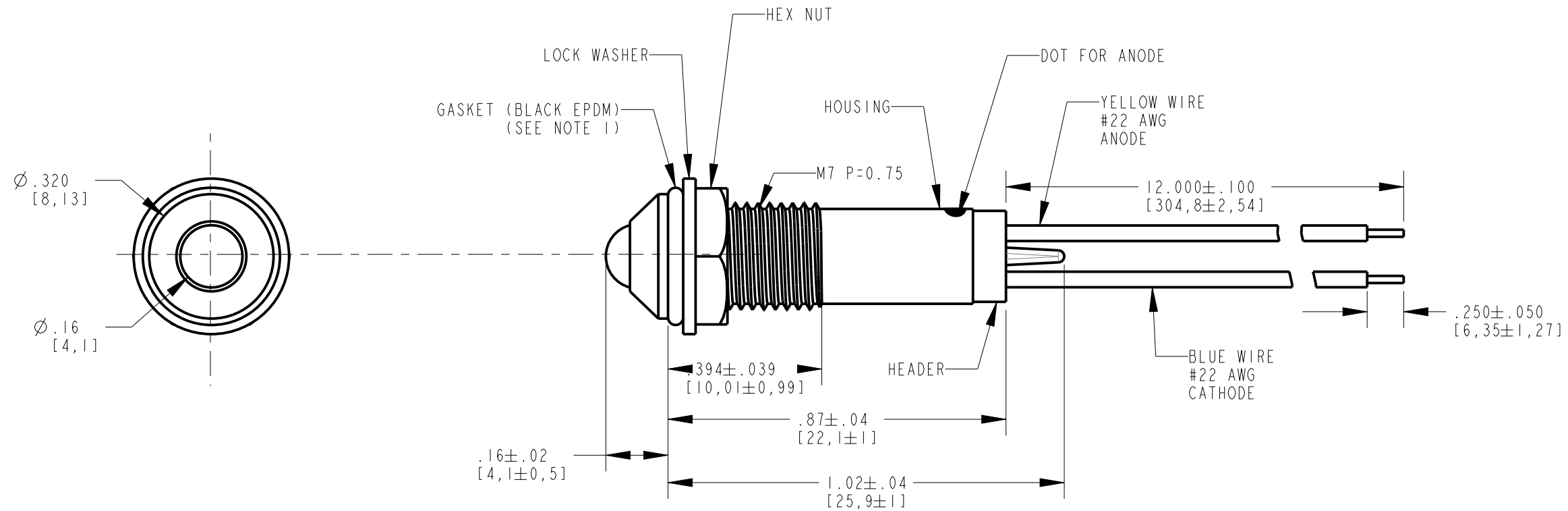


| REV | ECN NO | REVISIONS   | DRN | CKD | APP | DATE    |
|-----|--------|-------------|-----|-----|-----|---------|
| A   | —      | NEW RELEASE | VP  | JTD | NO  | 1-28-16 |



NOTES:

1. MOUNTING HOLE SIZE:  $\varnothing$  .287 [7.3]
2. MAXIMUM PANEL THICKNESS: .236 [6]
3. MATERIALS:
  - 3.1 METAL HOUSING: BRASS, BRIGHT CHROME PLATED.
  - 3.2 MOUNTING HEX NUT: BRASS, NICKEL PLATED.
  - 3.3 SPLIT LOCK WASHER: STEEL, NICKEL PLATED.
  - 3.4 HEADER/INSULATOR: POLYCARBONATE, COLOR: BLACK.
4. SOLDERABILITY: PER ANSI/IPC-S-805, METHOD A.
5. DIALIGHT PART NO. 607-1112-802F
6. RECOMMENDED MOUNTING TORQUE: 0.362 LBS/FT.
7. RECOMMENDED OPERATING CURRENT: 15 mA

| ABSOLUTE MAXIMUM RATING AT 25°C AMBIENT |  | RED         | UNITS |
|---|--|-------------|-------|
| CONTINUOUS FORWARD CURRENT              |  | 30          | mA    |
| PEAK PULSED FORWARD CURRENT             |  | 100         | mA    |
| REVERSE VOLTAGE ( $I_R = 50 \mu A$ )    |  | 3           | V     |
| OPERATING TEMPERATURE                   |  | -30 TO +85  | °C    |
| STORAGE TEMPERATURE                     |  | -30 TO +100 | °C    |

| OPERATING CHARACTERISTICS AT 25°C AMBIENT |     |     |         |                       |
|---|-----|-----|---------|-----------------------|
| CHARACTERISTICS                           | TYP | MAX | UNITS   | TEST CONDITIONS       |
| LUMINOUS INTENSITY                        | 20  | —   | mcd     | $I_F = 20 \text{ mA}$ |
| REVERSE CURRENT                           | —   | 50  | $\mu A$ | $V_R = 3 \text{ V}$   |
| PEAK WAVELENGTH                           | 630 | —   | nm      |                       |
| FORWARD VOLTAGE                           | 12  | —   | V       | $I_F = 20 \text{ mA}$ |



**ATTENTION:**  
OBSERVE PRECAUTIONS FOR  
HANDLING ELECTROSTATIC  
SENSITIVE DEVICES

|   |  |          |
|---|--|----------|
| THIS DRAWING AND THE CONTENTS HEREIN ARE CONFIDENTIAL AND THE SOLE PROPERTY OF DIALIGHT. REPRODUCTION OF THIS DRAWING OR CONSTRUCTION OF ANY PARTS WITHIN THIS DRAWING ARE FORBIDDEN WITHOUT THE WRITTEN CONSENT OF DIALIGHT. |  |          |
| SCALE: 4.000<br>ALL DIM'S IN: INCHES (MM)   | DRAWING NUMBER<br>C-18247                    | REV<br>A |
| TOLERANCES:<br>UNLESS OTHERWISE SPECIFIED<br>FRACTIONS: $\pm 1/64$<br>DECIMALS (.XX): $\pm .01$<br>DECIMALS (.XXX): $\pm .005$<br>DECIMALS (.XXXX): $\pm .0005$<br>ANGLES: $\pm 1^\circ$                                      | TITLE<br>7mm RED LED PMI                     |          |
| FINISH:   | MATERIAL                                     |          |
| FSCM 83330  | 1501 ROUTE 34 SOUTH<br>FARMINGDALE, NJ 07727 |          |
| SHEET 1 OF 1 FAMILY TABLE:  |  |          |