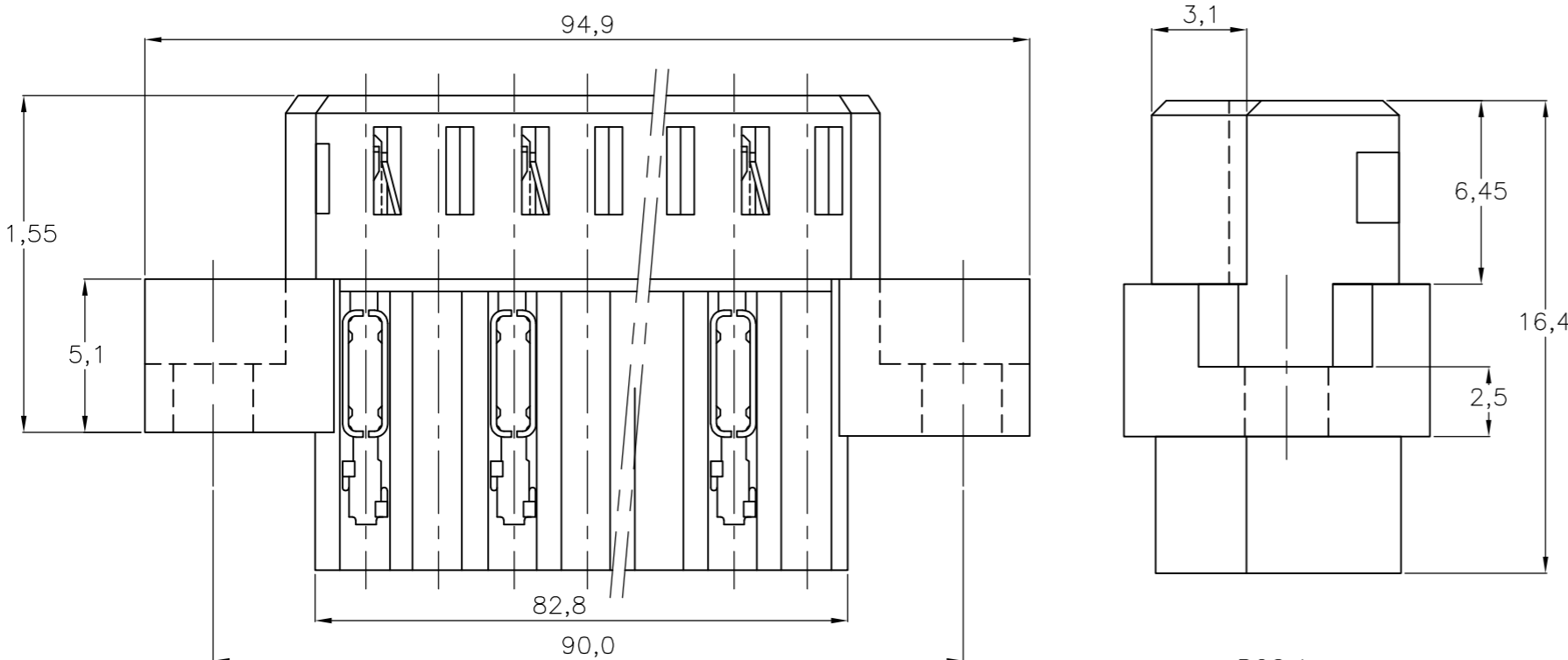
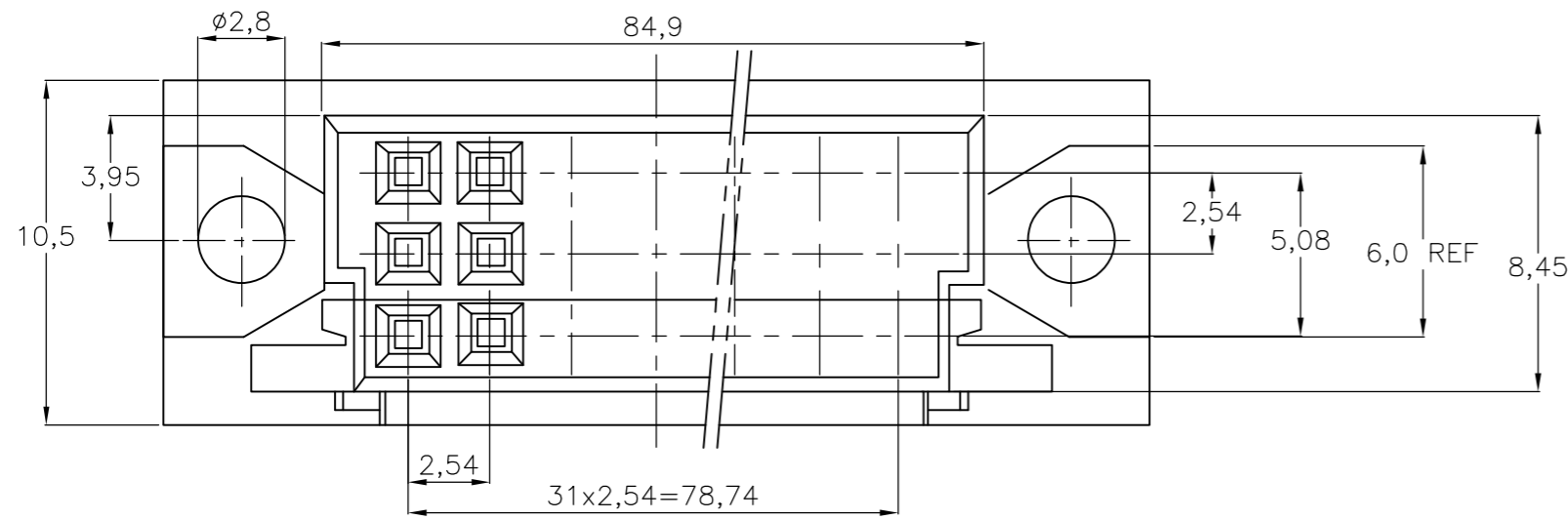


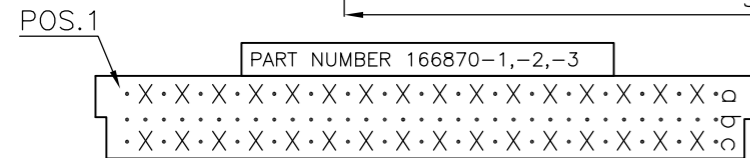
THIS DRAWING IS UNPUBLISHED. RELEASED FOR PUBLICATION
 © COPYRIGHT BY TYCO ELECTRONICS CORPORATION. ALL INTERNATIONAL RIGHTS RESERVED.

LOC	DIST	REVISIONS					
		P	LTR	DESCRIPTION	DATE	DWN	APVD
H	-	G	ECR-06-12362		23-05-06	BM	JB
		G1	ECR-08-014461		22-10-08	AEG	WRV

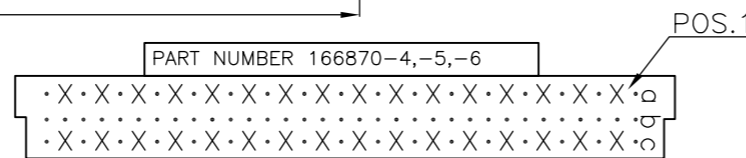


NOTES:

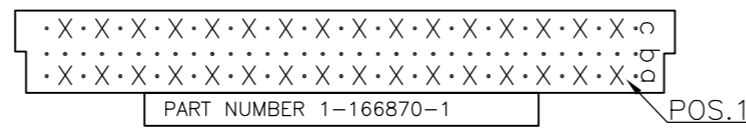
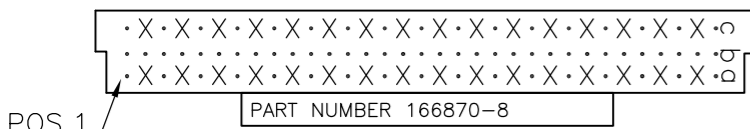
1. COVER PN. B26196-1 CAN BE USED.
2. CONNECTOR PRINTED WITH PARTNUMBER 166870-...



AN ASTERISK "X" DENOTES R CONTACT.



VIEW FROM CONNECTOR MATING SIDE.



Part Number	Housing	Contacts	Contact area
166870-1	Glassfilled Polyester (Gray)	Phosphorbronze	2 μ Au over 125 μ Ni Remainder TIN plating
OBSOLETE 166870-2	SAME AS -1		SAME AS -1 ONLY ON CONTACT AREA 0.8 μ Au OVER 12.5 μ Ni
OBSOLETE 166870-3	SAME AS -1		SAME AS -1 ONLY ON CONTACT AREA 1.25 μ Au OVER 12.5 μ Ni
166870-4	SAME AS -1		SAME AS -1
166870-5			SAME AS -2
166870-6			SAME AS -3
1-166870-1			SAME AS -2
166870-8			SAME AS -2
PARTNUMBER	MATERIAL		PLATING

THIS DRAWING IS A CONTROLLED DOCUMENT.

DWN	J.V.GRUNSVEN	08JUL82
CHK	-	08JUL82
APVD	-	-
PRODUCT SPEC	-	-
APPLICATION SPEC	-	-
WEIGHT	-	-

Tyco Electronics Tyco Electronics Corporation
 's-Hertogenbosch, Nederland

2x16 POS BACK PANEL M.T.CONNECTOR

SIZE	CAGE CODE	DRAWING NO	RESTRICTED TO
A3	00779	C-166870	-

CUSTOMER DRAWING SCALE NTS SHEET 1 OF 1 REV G1