

THIS DRAWING IS UNPUBLISHED.

RELEASED FOR PUBLICATION

ALL RIGHTS RESERVED.

© COPYRIGHT - By -

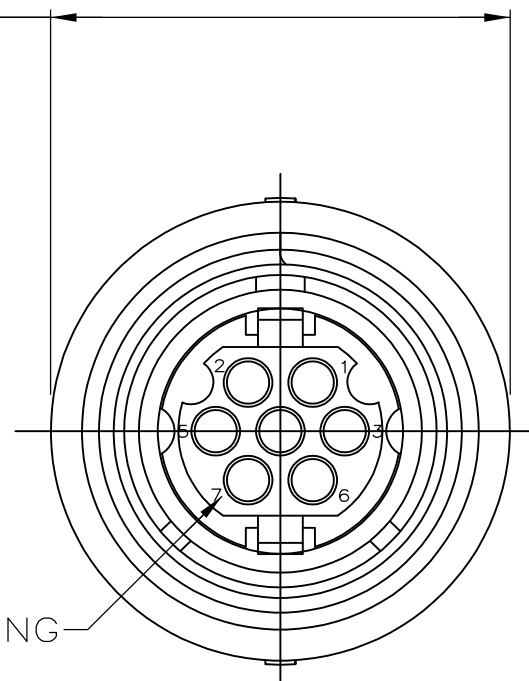
LOC
BD 35

REVISIONS

P	LTR	DESCRIPTION	DATE	DWN	APVD
	H1	REVISED PER ECO-11-005027	11MAR11	RK	HMR

31.12±0.38 DIA
[1.225±.015]

SOCKET HOUSING

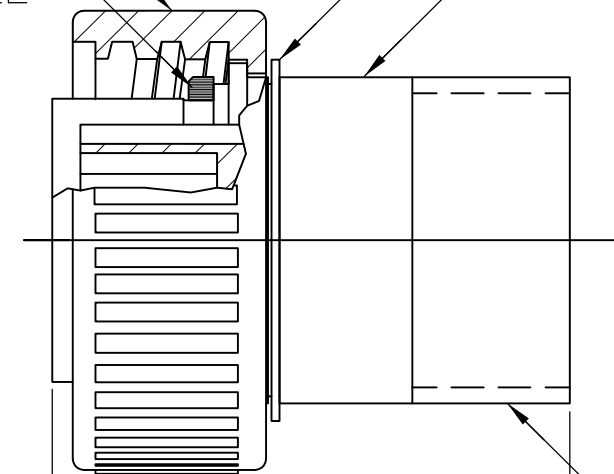


COUPLING RING

TETRASEAL
SEE TABLE

RETAINER RING

PLUG SHELL



7/8-20 UNEF-2A

35.56 MAX
[1.400]

1. THIS CONNECTOR ACCEPTS SEVEN (7) SIZE 16 MULTIMATE SOCKET CONTACTS, MAXIMUM WIRE INSULATION DIA = 2.67 [.105].
2. THIS CONNECTOR MATES WITH AMP PART NUMBER 208715-1.
3. AMP PART NUMBER AND DATE CODE TO BE LOCATED ON COUPLING RING.

4 NICKEL PER QQ-N-290 OVER COPPER PER MIL-C-14550.

5 ZINC PER QQ-Z-363.

YES	208714-2
NO	208714-1
SEAL	PART NO

THIS DRAWING IS A CONTROLLED DOCUMENT.

DWN D.HARDY 05/23/94

CHK C.DORWART 05/24/94

APVD A.FRANTUM 07/13/94

PRODUCT SPEC

APPLICATION SPEC

WEIGHT -

STE TE Connectivity

PLUG ASSEMBLY, STANDARD SEX,
SERIES 1, 14-7, CMC

SIZE	CAGE CODE	DRAWING NO	RESTRICTED TO
A3	00779	C-208714	-

DIMENSIONS: INCHES	TOLERANCES UNLESS OTHERWISE SPECIFIED:
	0 PLC ± -
	1 PLC ± -
	2 PLC ± -
	3 PLC ± -
	4 PLC ± -
	ANGLES ± -

MATERIAL	FINISH
SKT HSG: TERMOPLASTIC, BLACK	CPLG RING: 4
SEAL: FLUOROCARBON ELASTOMER	PLUG SHELL: 4
RTNR RING: STAINLESS STEEL	
CPLG RING: 4	
PLUG SHELL: 4	

THIS DRAWING IS A CONTROLLED DOCUMENT FOR AMP INCORPORATED. IT IS SUBJECT TO CHANGE AND THE CONTROLLING ENGINEERING ORGANIZATION SHOULD BE CONTACTED FOR THE LATEST REVISION.

CUSTOMER DRAWING

SCALE 2:1

SHEET 1 OF 1

REV H1