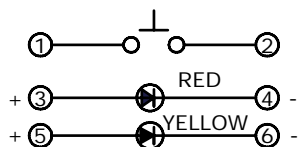
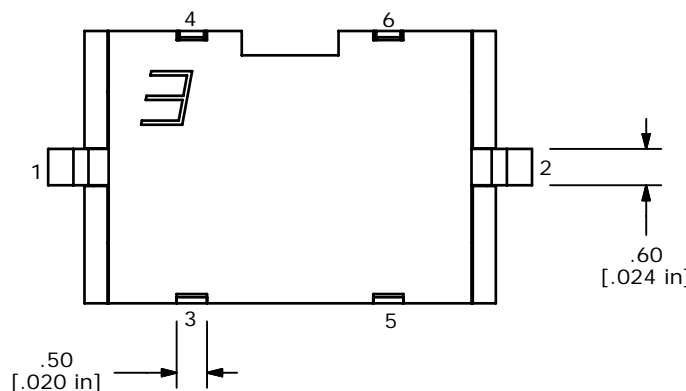
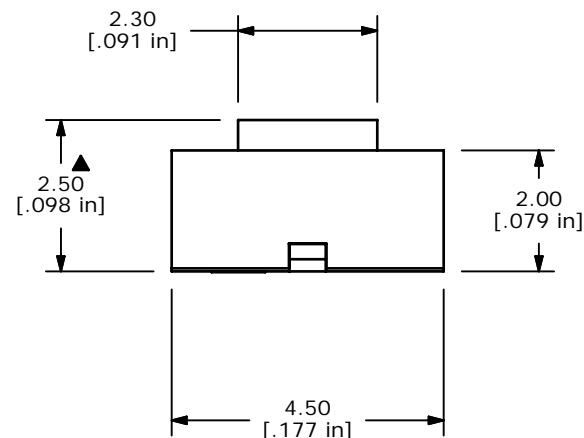
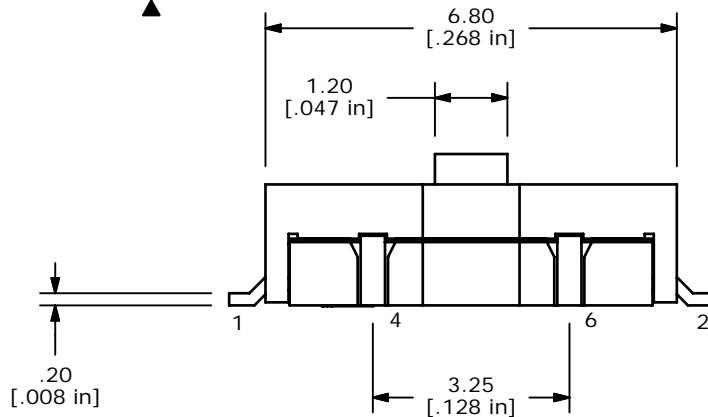
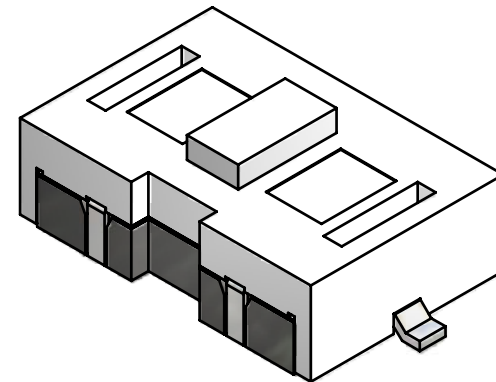
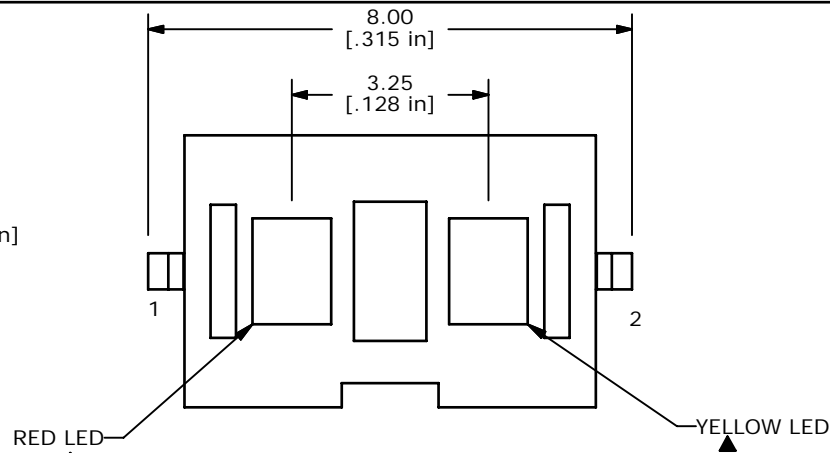


PC MOUNTING



CIRCUIT



NOTES:

1. ALL DIMENSIONS IN MM [INCH]
2. GENERAL TOLERANCE: X.X±0.4  
X.XX±0.25
3. RATING: 12VDC, 50mA MAX.
4. CONTACT RESISTANCE: 500mΩ MAX.
5. INSULATION RESISTANCE: 100VDC, 100MΩ MIN.
6. TRAVEL: 0.25 mm
- ▲7. OPERATING FORCE: 160 +75/-30gf
8. OPERATING TEMPERATURE: -20°C TO 70°C
9. OPERATING LIFE: 30,000 CYCLES.
10. PACKAGING: TAPE & REEL, 3000 PIECES PER REEL
11. ▲ DENOTES CRITICAL PARAMETER
12. 2002/95/EC (ROHS) COMPLIANT

| LED Specifications      | Units | RED      | YELLOW  |
|-------------------------|-------|----------|---------|
| Forward Current         | mA    | 20       | 20      |
| Forward Voltage         | V     | 1.95-2.5 | 1.7-2.6 |
| Luminous Intensity@20mA | mcd   | 230      | 5       |



TITLE TL3200AF160RYQ

|     |        |                         |         |    |
|-----|--------|-------------------------|---------|----|
| A   | 20708  | RELEASED FOR PRODUCTION | 8/10/12 | rc |
| REV | PCR NO | DESCRIPTION             | DATE    | BY |

|       |           |    |         |     |
|-------|-----------|----|---------|-----|
| SCALE | DATE      | DR | DWG     | REV |
| 8:1   | 8/10/2012 | rc | B200117 | A   |

THE INFORMATION CONTAINED IN THIS DOCUMENT IS PROPRIETARY TO E-SWITCH AND IS NOT TO BE COPIED OR TRANSFERRED