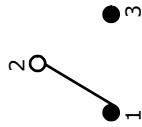


PCB MOUNTING

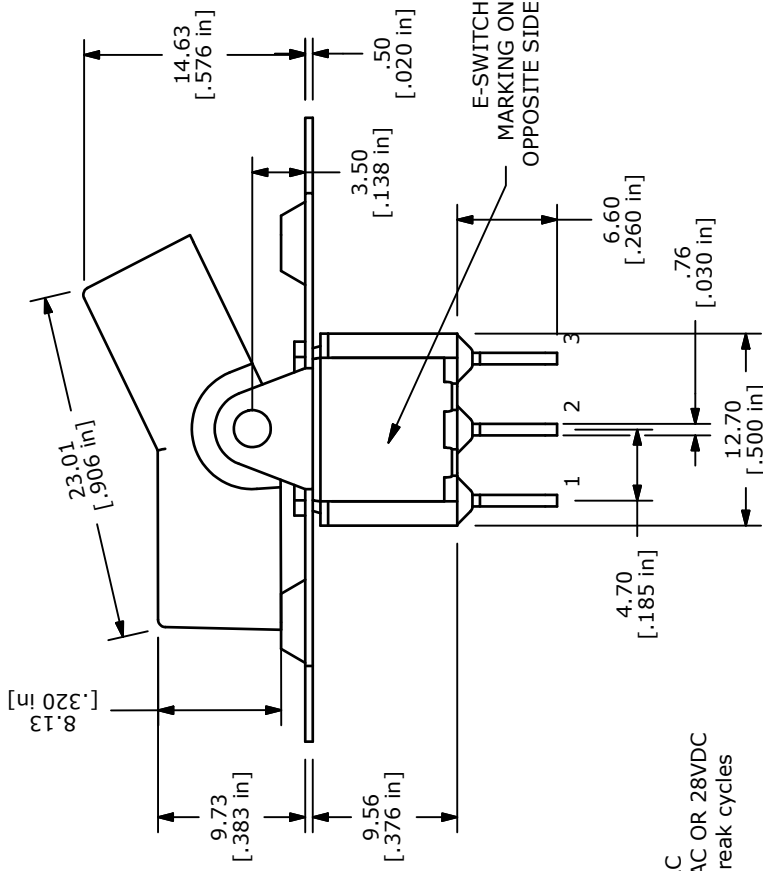
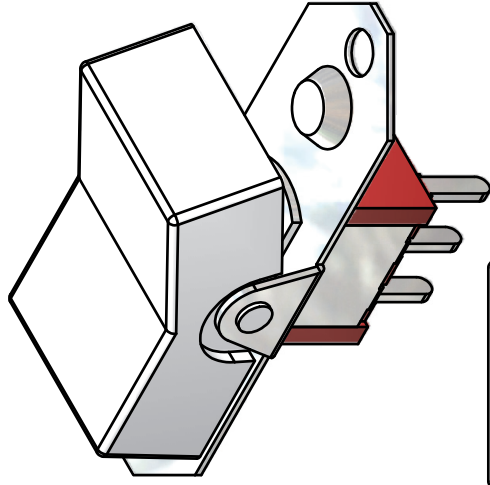
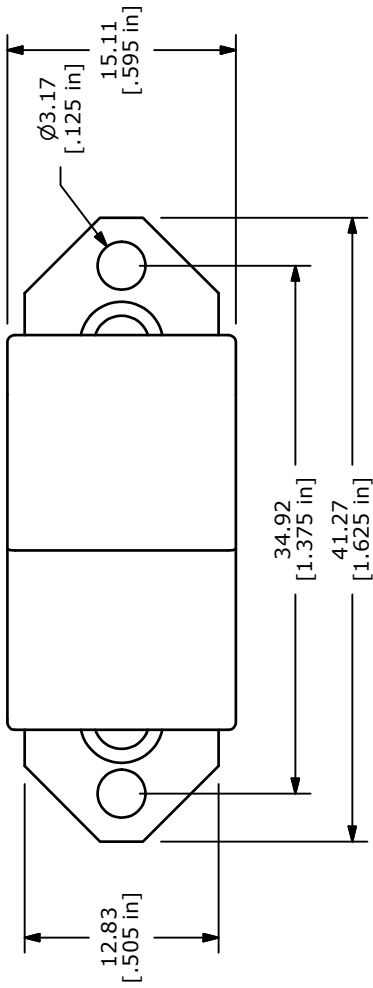
SWITCH FUNCTION	POS. 1	POS. 2	POS. 3
ON			
2-3	ON	OFF	OPEN
2-1	ON	OFF	OPEN



CIRCUIT: SPDT

NOTE:

- ALL DIMENSIONS IN MM [INCH]
- GENERAL TOLERANCE: X.X=±0.4
X.XX=±0.25
- TERMINAL NUMBERS FOR REF ONLY
- PLATING MATERIAL: SILVER
- CONTACT RATING: 2 AMPS @250VAC
5 AMPS @120VAC OR 28VDC at full load.
- ELECTRIC LIFE: 50,000 make-and-break cycles
- INSULATION RESISTANCE: 1,000 Mega-ohm min.
- DIELECTRIC STRENGTH: 1,000 V RMS @sea level.
- OPERATING TEMP.: -30°C to 85°C
- ▲DENOTES CRITICAL PARAMETER.



E-SWITCH MARKING ON OPPOSITE SIDE



E-SWITCH™

TITLE 300SP3R3WHTM3QE		DATE 1/21/2011		DR BGL		DWG T311066		REV A	
A	19609	NEW RELEASED	1/21/11	BGL					
REV	PCR NO	DESCRIPTION	DATE	BY					
THE INFORMATION CONTAINED IN THIS DOCUMENT IS PROPRIETARY TO E-SWITCH AND IS NOT TO BE COPIED OR TRANSFERRED									