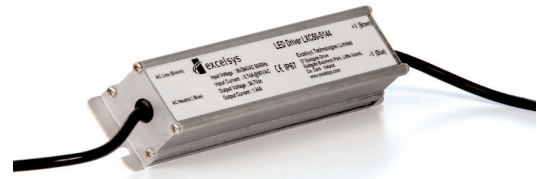


# LXC36 series

## LED Power Supply

### Constant Current LED Power Supplies

LED Power  
36W

#### LED POWER

next generation power  
source

#### FEATURES

- High Efficiency (up to 90%)
- Active PFC (Typical 0.95)
- IP67 Waterproof
- OVP, SCP, OLP, OTP
- -35 to +70°C deg operation
- Universal Input 90-305VAC
- UL8750 recognised
- EN61347-1, -2-13 compliant

The LXC36 series of constant current LED power supplies from Excelsys Technologies can deliver up to 36W of output power in an extremely compact package size.

The LXC36 series of constant current power supplies provides up to 1750mA of output current and 102V output voltage solutions for specific LED requirements. With industry leading efficiencies, and an extensive protection feature set, the LXC36 series provides high reliability and high performance in a compact package

The LXC36 series carries the UL and CE mark for safety and is also RoHS compliant.

Model Number	Output Voltage	Output Current	Input Voltage	Efficiency
LXC36-0350SW <sup>(2)</sup>	52-102V	350mA	90-305VAC	90.0%
LXC36-0450SW <sup>(2)</sup>	40-80V	450mA	90-305VAC	89.0%
LXC36-0700SW <sup>(3)</sup>	26-52V	700mA	90-305VAC	88.0%
LXC36-1050SW <sup>(4)</sup>	18-35V	1050mA	90-305VAC	88.0%
LXC36-1400SW <sup>(4)</sup>	13-26V	1400mA	90-305VAC	87.0%
LXC36-1750SW <sup>(4)</sup>	11-21V	1750mA	90-305VAC	86.0%

Input Specifications					
Parameter	Conditions/Description	Min	Nom	Max	Units
Input Voltage Range	Universal Input	90		305	VAC
Input Frequency Range		47		63	Hz
Input Current	100VAC in, 36W output			0.6	A
Leakage Current	277VAC Input, 50Hz			0.5	mA
Inrush Current	230VAC in, 25°C, Cold Start			60	A
Power Factor	220VAC, 110VAC	0.95		0.98	
Output Specifications					
Parameter	Conditions/Description	Min	Nom	Max	Units
Line Regulation				±1	%
Load Regulation				±3	%
Voltage Range	See individual models				VDC
Output Current	See individual models				mA
Output Current Tolerance				±5	%/Load
Overshoot/Output Current				10	%
Turn-on Delay	Measured at 220VAC and full load		0.3	0.5	s
Short Circuit Protection	Auto Recovery				
Over Temperature Protection	Hiccup, Auto recovery	95	110	125	°C
General Specifications					
Parameter	Conditions/Description	Min	Nom	Max	Units
Isolation Voltage	Input to Output See Note 1 Input to Chassis	3750 1500			VAC VAC
Efficiency	See individual models		88		%
Safety Agency Approvals	UL8750, EN61347-1, -2-13, UL1310 (See Note 2,3 & 4)				
No load Power Dissipation	Measured at 230 Vac			6.0	W
MTBF	MIL-HDBK-217F, 110VAC input, 80% load, 25°C		469,000		Hours
Lifetime	110VAC input, 80% load, 45°C		74,000		Hours
Weight			480		g
Operating Temperature		-35		+70	°C
Storage Temperature		-40		+85	°C
Relative Humidity	Non-condensing (operating)	10		100	%RH

Specifications are subject to change without notice



#### Europe/Asia

Excelsys Technologies Ltd t: +353 21 4354716  
 27 Eastgate Drive f: +353 21 4354864  
 Eastgate Business Park e: sales@excelsys.com  
 Little Island, Cork, Ireland  
 IRELAND

#### North America

Excelsys Technologies t: (972) 771 4544  
 519 Interstate 30, #309 f: (972) 421 1805  
 Rockwall, TX 75087 e: salesusa@excelsys.com  
 USA

EMC				
Parameter	Standard		Level	Units
<b>Emissions</b>				
<b>Conducted</b>	EN55015		Level B	
<b>Radiated</b>	EN55015		Level B	
<b>Harmonic Distortion</b>	EN61000-3-2		Compliant	
<b>Flicker and Fluctuation</b>	EN61000-3-3		Compliant	
<b>Immunity</b>				
<b>ESD</b>	EN61000-4-2		Compliant	
<b>Radiated RFI</b>	EN61000-4-3		Compliant	
<b>Fast Transients - burst</b>	EN61000-4-4		Level 3 (A)	
<b>Surge Immunity</b>	EN61000-4-5		Compliant	
<b>Conducted RFI</b>	EN61000-4-6		Compliant	
<b>Power Freq Magnetic Field</b>	EN61000-4-8		Compliant	
<b>Voltage Dips</b>	EN61000-4-11		Compliant	

- Note 1. Primary to Secondary Isolation test not to be carried out on power supply.
- Note 2. Non - UL1310 Class 2 output in USA and Canada.
- Note 3. UL1310 Class 2 output for in USA only.
- Note 4. UL1310 Class 2 outputs for USA and Canada.

**INPUT / OUTPUT WIRING**

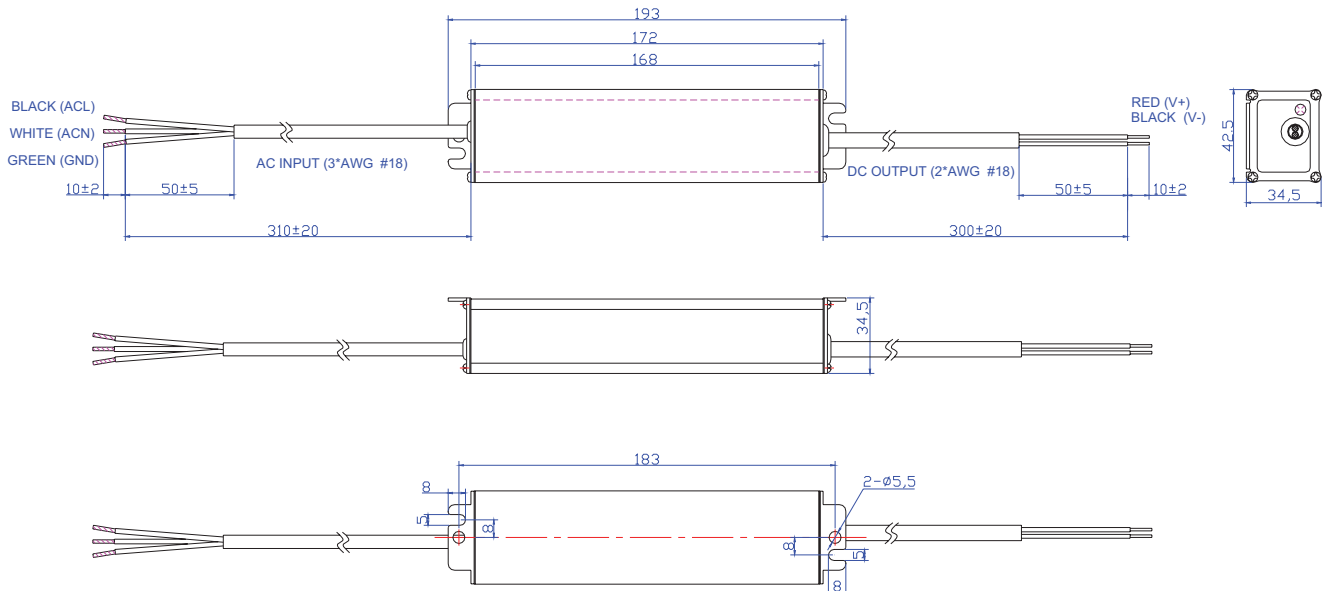
**INPUT CABLE**

SJTW 18AWG 3C  
Black (L), White (N), Green (G) 310±20mm

**OUTPUT CABLE**

SJTW 18AWG 2C  
Black (-V) and Red (+V) 300±20mm

**MECHANICAL SPECIFICATIONS**

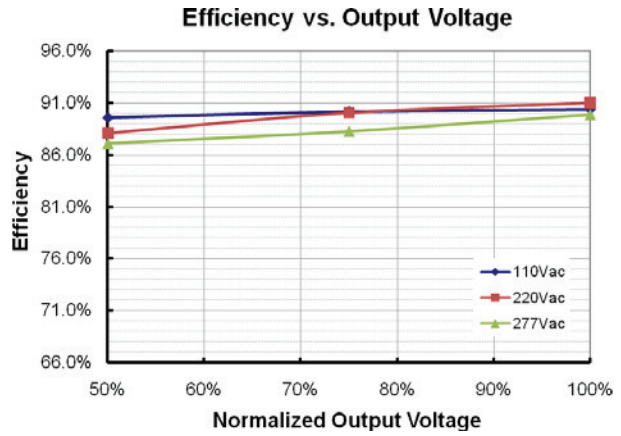
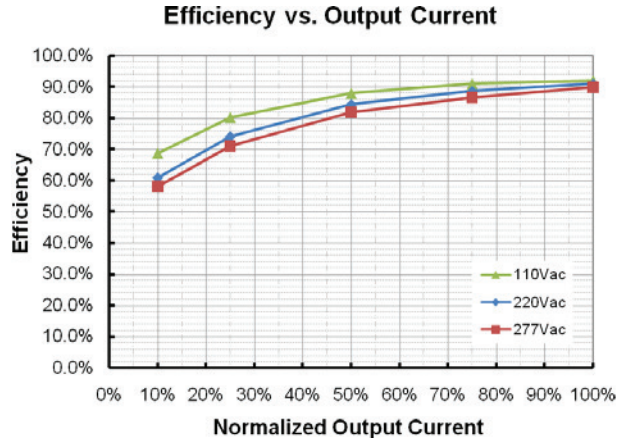


Specifications are subject to change without notice

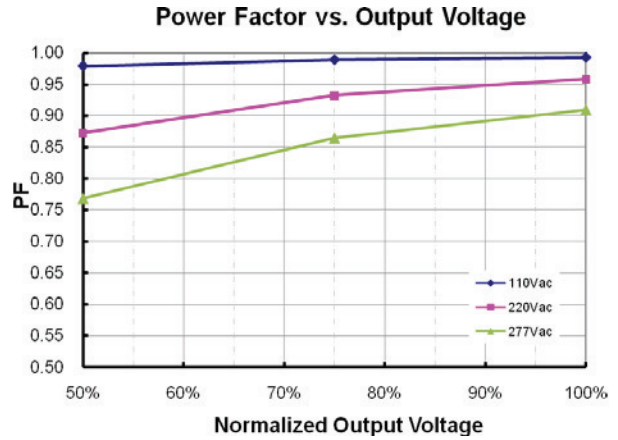
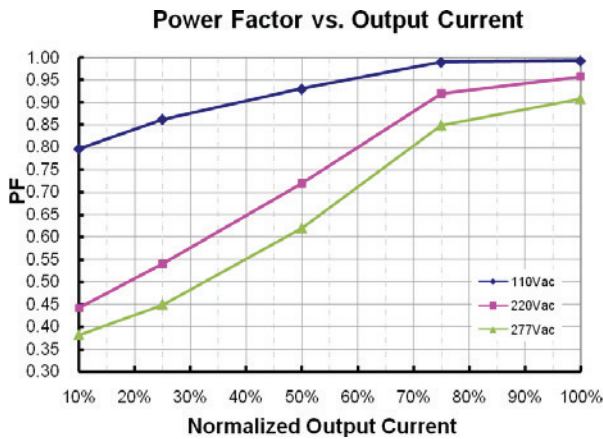


<b>Europe/Asia</b>		<b>North America</b>	
Excelsys Technologies Ltd	t: +353 21 4354716	Excelsys Technologies	t: (972) 771 4544
27 Eastgate Drive	f: +353 21 4354864	519 Interstate 30, #309	f: (972) 421 1805
Eastgate Business Park	e: sales@excelsys.com	Rockwall, TX 75087	e: salesusa@excelsys.com
Little Island, Cork, Ireland		USA	
<b>IRELAND</b>			

Efficiency vs. Load (350mA Model)



Power Factor Characteristics



Specifications are subject to change without notice



**Europe/Asia**  
 Excelsys Technologies Ltd  
 27 Eastgate Drive  
 Eastgate Business Park  
 Little Island, Cork, Ireland  
 IRELAND

t: +353 21 4354716  
 f: +353 21 4354864  
 e: sales@excelsys.com

**North America**

Excelsys Technologies  
 519 Interstate 30, #309  
 Rockwall, TX 75087  
 USA

t: (972) 771 4544  
 f: (972) 421 1805  
 e: salesusa@excelsys.com