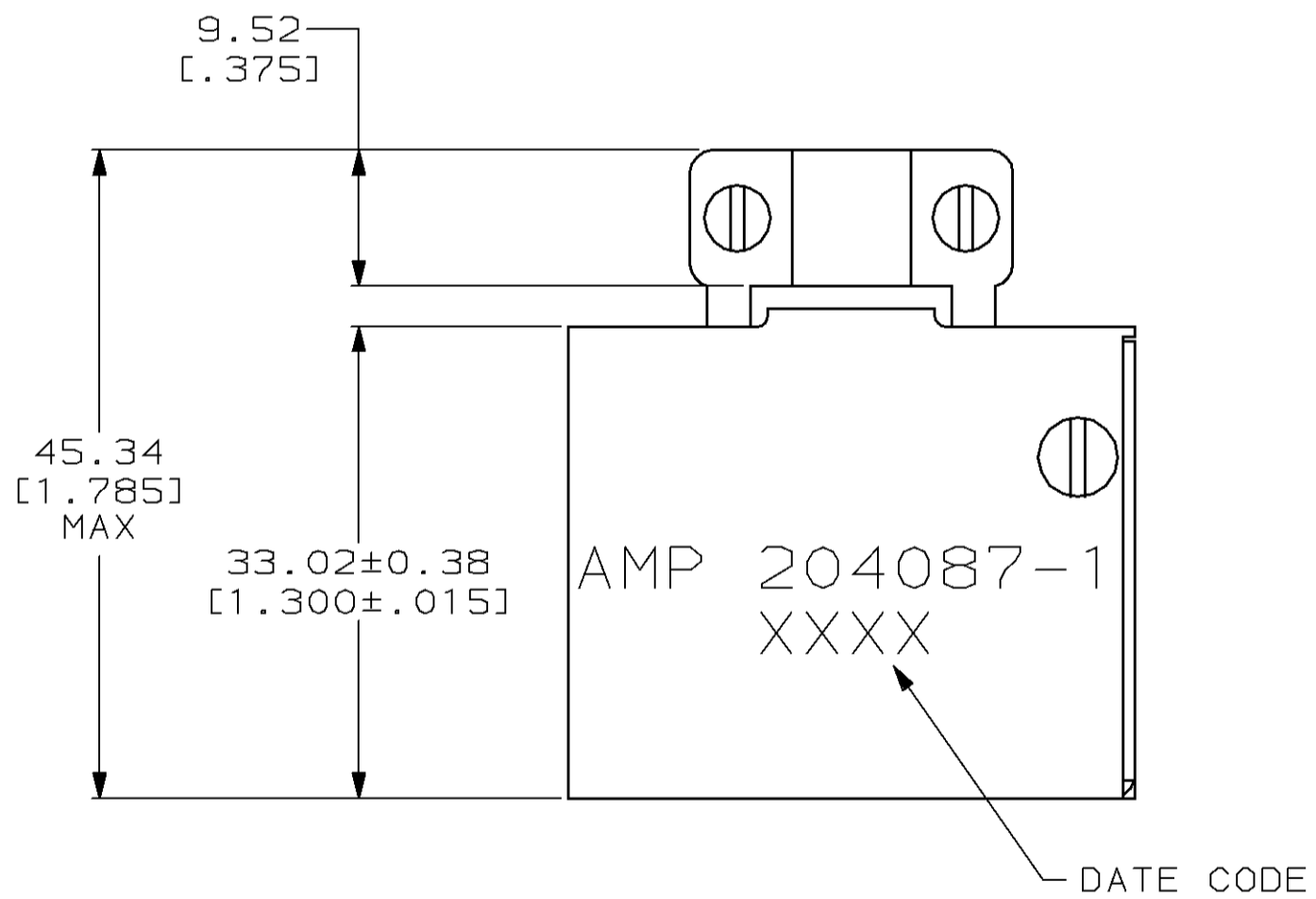
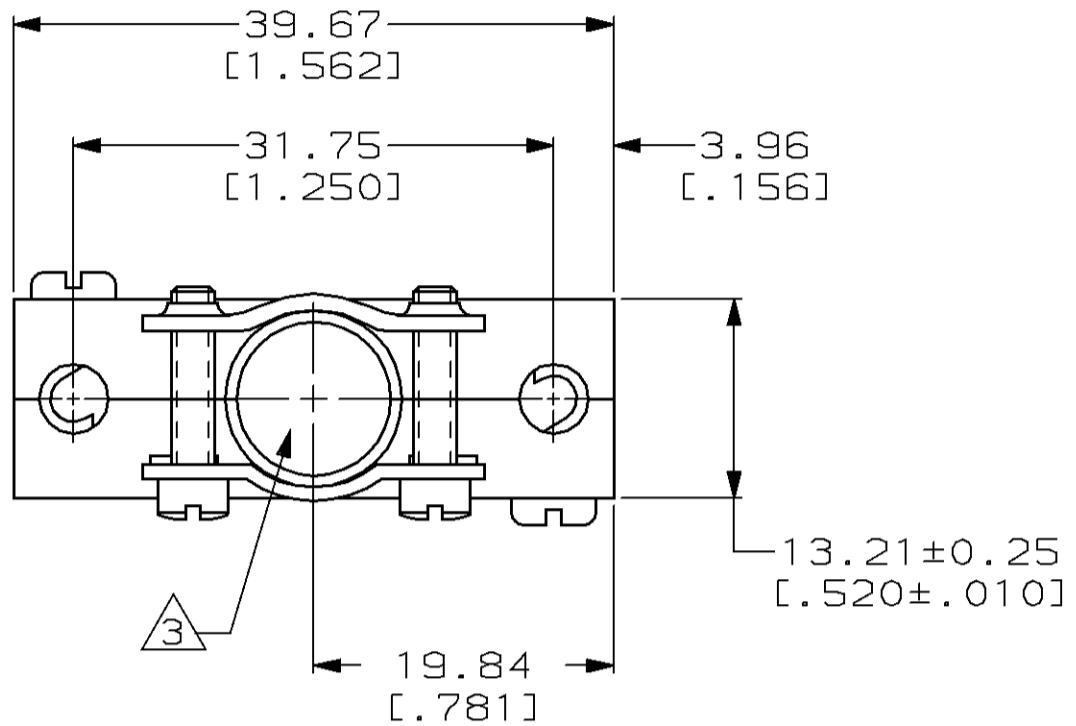
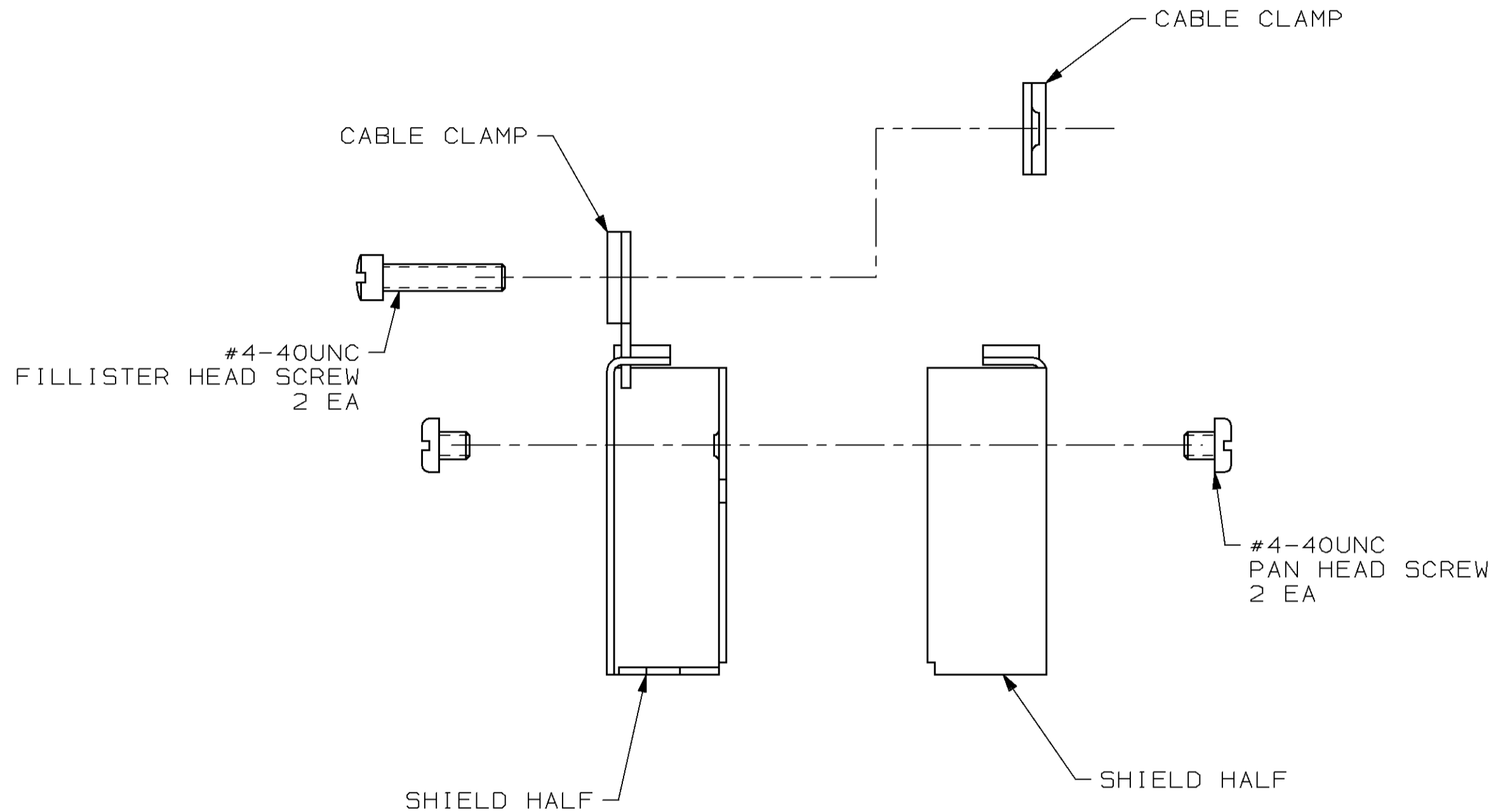


THIS DRAWING IS UNPUBLISHED. RELEASED FOR PUBLICATION
 © COPYRIGHT 19 BY AMP INCORPORATED. ALL RIGHTS RESERVED.

LOC	DIST	REVISIONS			
P	LTR	DESCRIPTION	DATE	DWN	APVD
BD	36	D	REDRAWN PER EC 0020-1245-95	07 NOV 95	-



ASSEMBLED VIEW



- ① SHIELD HALVES, CABLE CLAMPS & FILLISTER HEAD SCREWS: CARBON STEEL. PAN HEAD SCREWS: STAINLESS STEEL.
- ② SHIELD HALVES & CABLE CLAMPS: 5.08µm[.000200] MIN NICKEL. FILLISTER HEAD SCREWS: ZINC PLATED. PAN HEAD SCREWS: PASSIVATED.
- ③ CLAMP AREA WILL ACCEPT 9.52[.375] MAX DIA CABLE.

204087-1
PART NUMBER

THIS DRAWING IS A CONTROLLED DOCUMENT FOR AMP INCORPORATED. IT IS SUBJECT TO CHANGE AND THE CONTROLLING ENGINEERING ORGANIZATION SHOULD BE CONTACTED FOR THE LATEST REVISION.		DWN C. REIFSNYDER 07 NOV 95	AMP Incorporated Harrisburg, PA 17105-3608
DIMENSIONS: mm [INCHES]		CHK R. STONE 17 NOV 95	
TOLERANCES UNLESS OTHERWISE SPECIFIED:		APVD G. STEINHAUER 19 NOV 95	NAME SHIELD KIT, UNASSEMBLED, 180°, 20 POSITION, M SERIES
0 PLC ±-		PRODUCT SPEC	
1 PLC ±-		APPLICATION SPEC	SIZE A2
2 PLC ±0.13 [.005]		WEIGHT	CAGE CODE 00779
3 PLC ±-		MATERIAL ①	DRAWING NO C-204087
4 PLC ±-			SCALE 2:1
ANGLES ±-		FINISH ②	SHEET 1 OF 1
FINISH ③		CUSTOMER DRAWING	REV D