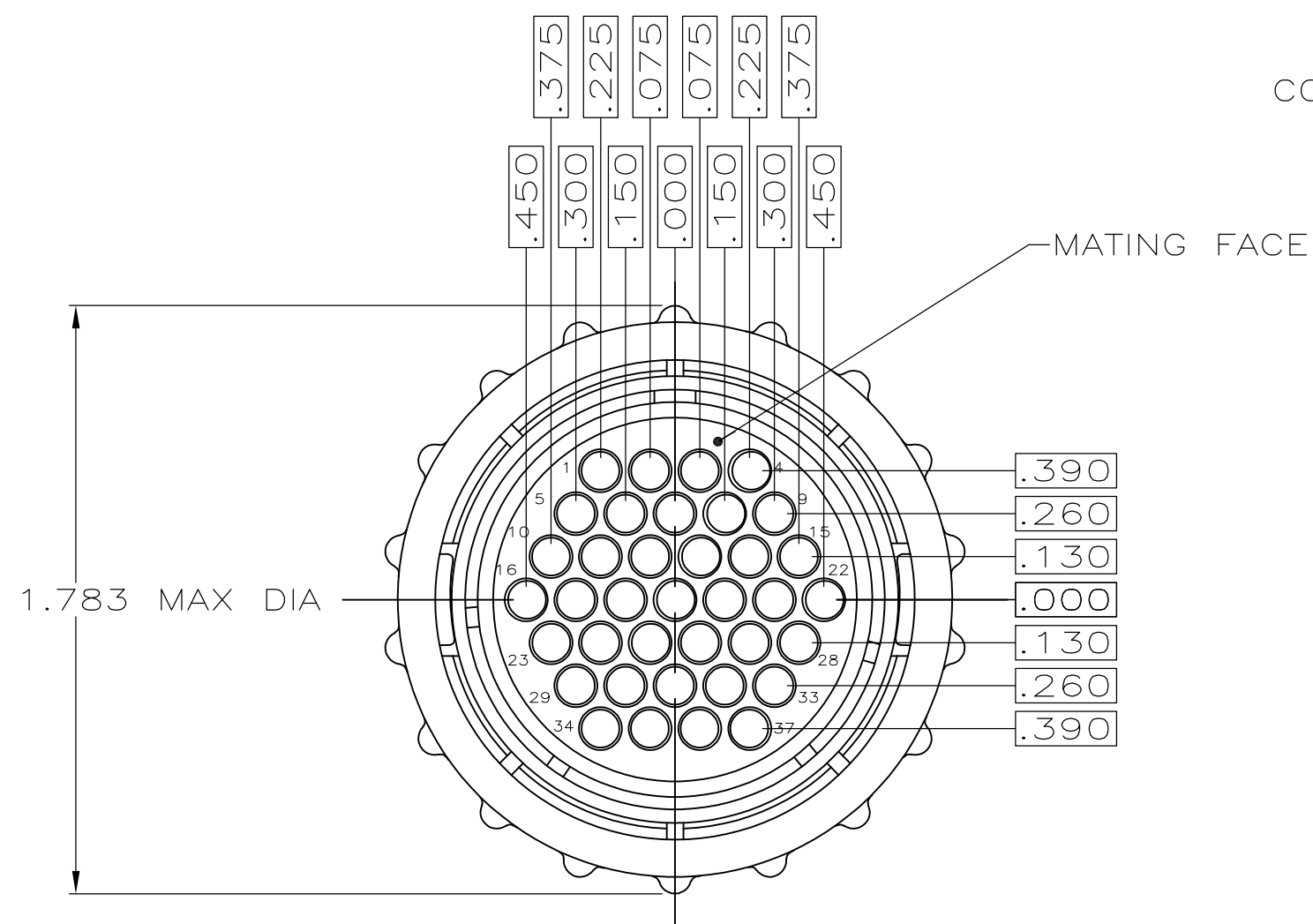


THIS DRAWING IS UNPUBLISHED. RELEASED FOR PUBLICATION
 © COPYRIGHT - By - ALL RIGHTS RESERVED.

LOC		DIST		REVISIONS			
P	LTR	DESCRIPTION	DATE	DWN	APVD		
FT	0						
G2		REVISE PER ECO-11-004587	11MAR11	RK	HMR		



COUPLING RING
POLYESTER

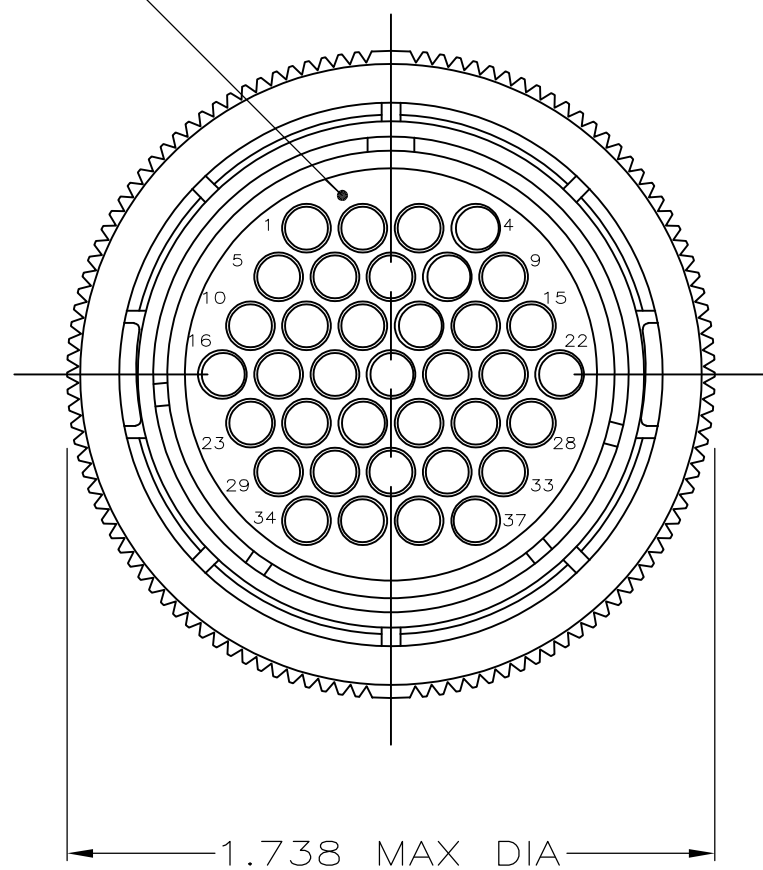
AMP & PART NUMBER
THIS DIA

PLUG HOUSING
NYLON 6/6,
GLASS FILLED

(-1, -2 & -5 ONLY)

1.365 MAX

MATING FACE



COUPLING RING
POLYOHENYLENE

PLUG HOUSING
NYLON 6/6,
GLASS FILLED,

(-4 ONLY)

1.365 MAX

1. CONTACT CAVITIES IDENTIFIED BY CHARACTERS ON FRONT AND REAR FACES OF CONNECTOR.

2. WILL ACCEPT (37) MULTIMATE PIN CONTACTS.

3. PRELIMINARY PART NUMBER.

4. OBSOLETE PARTS: OBSOLETE CIS STREAMLINING PER D.RENAUD/D.SINISI

3	NATURAL	STANDARD	206305-5
	BLACK	STANDARD	206305-4
4	OBSOLETE	BLACK	SMALL PACK
		BLACK	STANDARD
	COLOR	PACKAGING	PART NUMBER

THIS DRAWING IS A CONTROLLED DOCUMENT.		DWN	S.RIDGLEY	BG	8/2/90	TE TE Connectivity	
DIMENSIONS: INCHES		CHK	R.STONE		4-26-91		
TOLERANCES UNLESS OTHERWISE SPECIFIED:		APVD	J.FULPONI		5-2-91	NAME	
0 PLC ± -		PRODUCT SPEC				PLUG ASSEMBLY, SHELL	
1 PLC ± -		APPLICATION SPEC				SIZE 23, REVERSE SEX,	
2 PLC ± -						SERIES 1, CPC	
3 PLC ± .005		WEIGHT				SIZE	CAGE CODE
4 PLC ± -						A2	00779
ANGLES ± -		CUSTOMER DRAWING				DRAWING NO	RESTRICTED TO
FINISH -						C=206305	
MATERIAL SEE CALLOUT		SCALE	2:1	SHEET	1 of 1	REV	G2