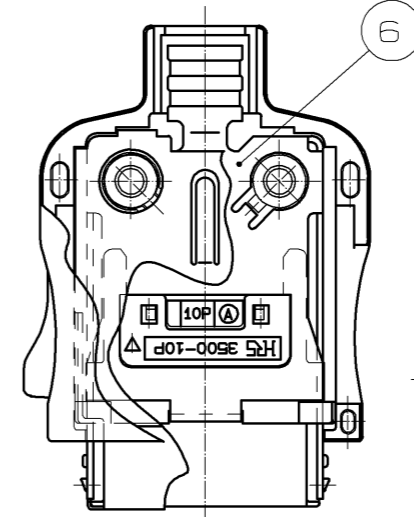
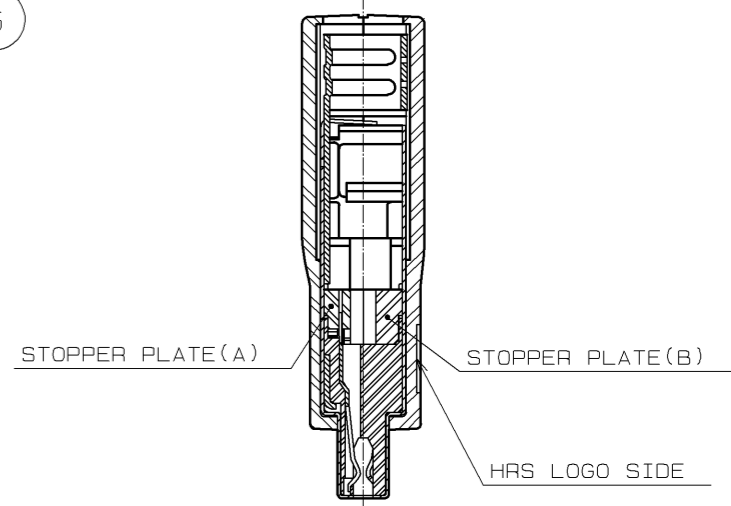


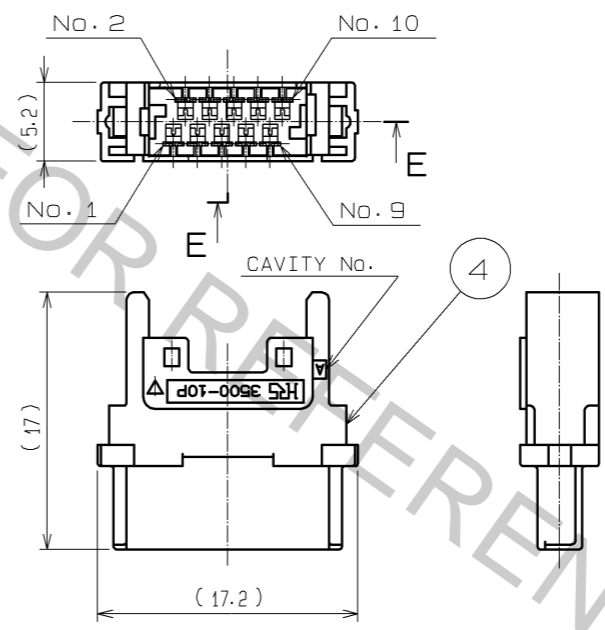
CONSTRUCTION (REFERENCE)



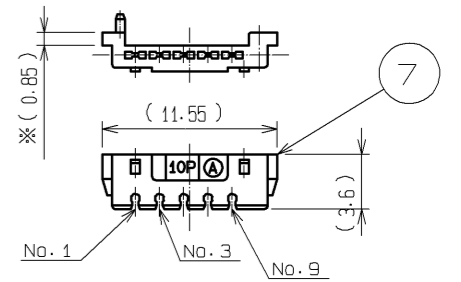
D-D (REFERENCE)



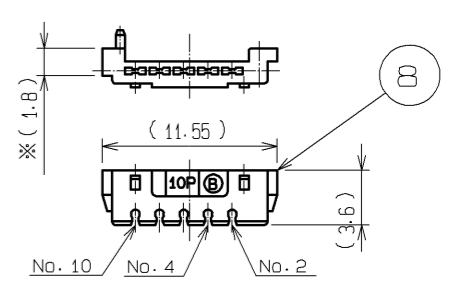
CONNECTOR UNIT



STOPPER PLATE (A) (※0.85)



STOPPER PLATE (B) (※1.8)



NOTE. 1 THIS PRODUCT SHALL BE IN DISASSEMBLED CONDITION (EXCEPT CONNECTOR UNIT ③, ④) WHEN DELIVERED.

5	STAINLESS STEEL						
4	POLYAMIDE	BLACK	UL94V-0	9	STEEL	BLACK	TAPPING SCREW
3	COPPER ALLOY	SELECTIVE GOLD PLATING	0.2μm	8	PBT	BLACK	UL94V-0
2	POLYCARBONATE	BLACK	UL94V-0	7	PBT	BLACK	UL94V-0
1	POLYCARBONATE	BLACK	UL94V-0	6	STAINLESS STEEL		
NO.	MATERIAL	FINISH	REMARKS	NO.	MATERIAL	FINISH	REMARKS
UNITS	mm	SCALE	2 : 1	COUNT	2	DESCRIPTION OF REVISIONS	DIS-E-004505
				DESIGNED	TA. ASO	CHECKED	NM. NISHIMATSU
				DATE	13.02.05		
APPROVED : HO. MIWA				05.01.05	DRAWING NO. EDC3-120711-01		
CHECKED : YH. ENAMI				05.01.05	PART NO. 3530A-10P-CV(50)		
DESIGNED : TU. TANIGUCHI				05.01.05	CODE NO. CL235-0009-5-50		
DRAWN : TU. TANIGUCHI				05.01.05	1/1		