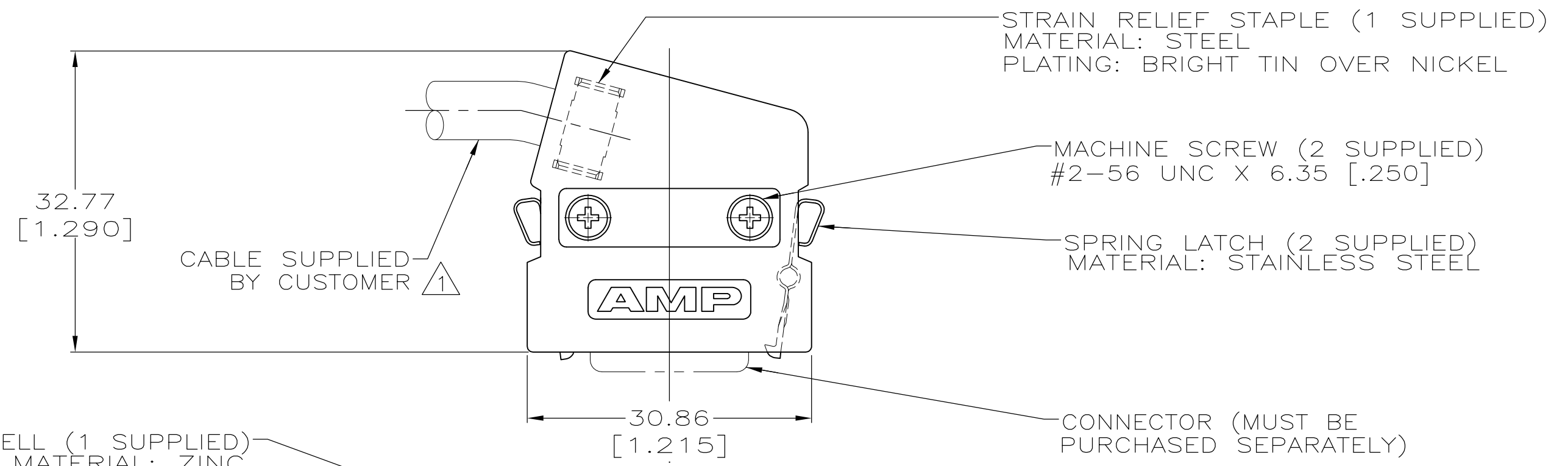
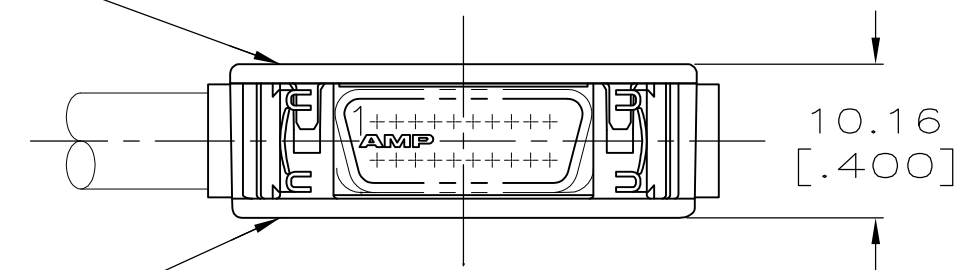


THIS DRAWING IS UNPUBLISHED. RELEASED FOR PUBLICATION
 © COPYRIGHT BY TYCO ELECTRONICS CORPORATION. ALL RIGHTS RESERVED.

LOC	DIST	REVISIONS			
P	LTR	DESCRIPTION	DATE	DWN	APVD
GP	00				
	0	RELEASED PER EC OS13-0001-05	26AUG05	GP	JG
	01	REVISED PER ECO-09-024927	10NOV09	KK	AEG



UPPER BACKSHELL (1 SUPPLIED)
 MATERIAL: ZINC PLATING: NICKEL OVER COPPER



LOWER BACKSHELL (1 SUPPLIED)
 MATERIAL: ZINC PLATING: NICKEL OVER COPPER

**COPYRIGHT 2005
 TYCO ELECTRONICS CORP
 ALL RIGHTS RESERVED**

4	OBSOLETE	3	—5749199—2—
			5749199—1
		PACKAGING	PART NO

- 1 6.86 [.270] MAX CABLE DIA
- 2 PARTS PACKAGED AS A UNIT KIT, 1 PIECE.
- 3 PARTS INDIVIDUALLY BULK PACKAGED, 150 PIECES.
- 4 OBSOLETE PARTS: OBSOLETE CIS STREAMLINING PER D.RENAUD/D.SINISI

THIS DRAWING IS A CONTROLLED DOCUMENT.		DWN G.PETERS 26AUG05	Tyco Electronics Corporation Harrisburg, PA 17105-3608	
DIMENSIONS: INCHES		CHK S.SHUEY 26AUG05	Tyco Electronics	
TOLERANCES UNLESS OTHERWISE SPECIFIED:		APVD M.WALMSLEY 26AUG05	NAME	
0 PLC ± -		PRODUCT SPEC	INDIVIDUAL KIT, UNASSEMBLED, 20 POSITION, 75° EXIT, UNKEYED, AMPLIMITE .050 Series	
1 PLC ± -		APPLICATION SPEC	SIZE	RESTRICTED TO
2 PLC ± -		WEIGHT	A3	—
3 PLC ± 0.38 [.015]		CUSTOMER DRAWING	CAGE CODE 00779	DRAWING NO C-5749199
4 PLC ± -		SCALE 1:1	SHEET 1 OF 1	REV 01
ANGLES ± -				
FINISH				
MATERIAL				