

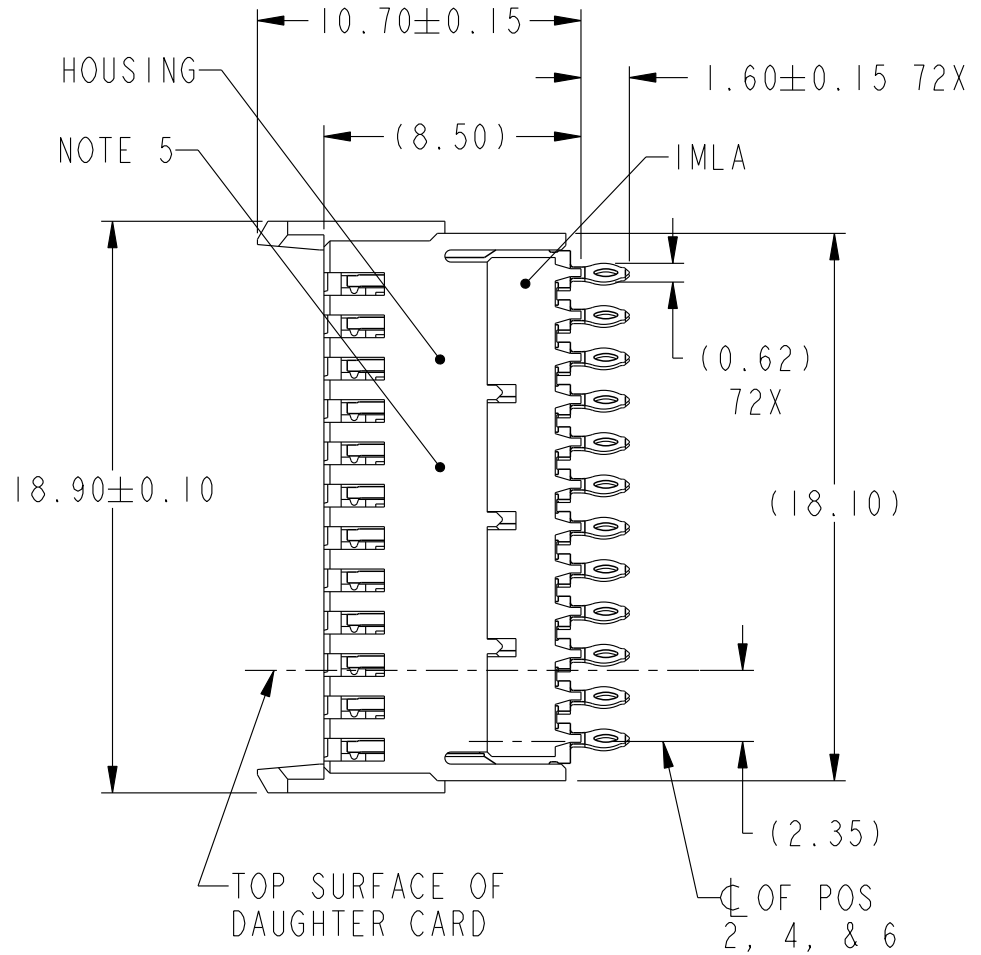
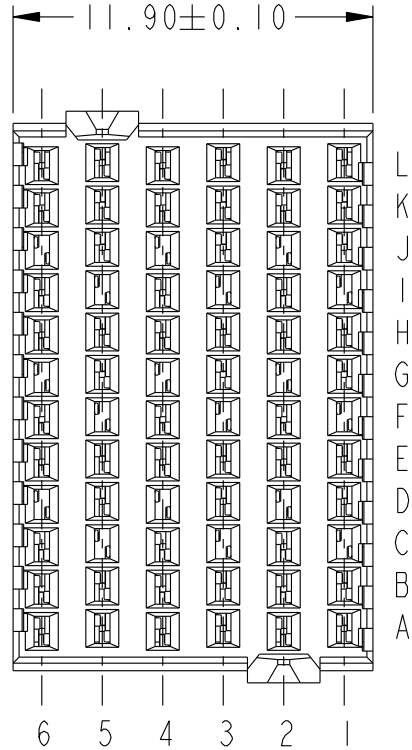
PRODUCT NUMBER
SEE TABLE, SHT 4

A

B

C

D



A

B

C

D



Copyright FCI.

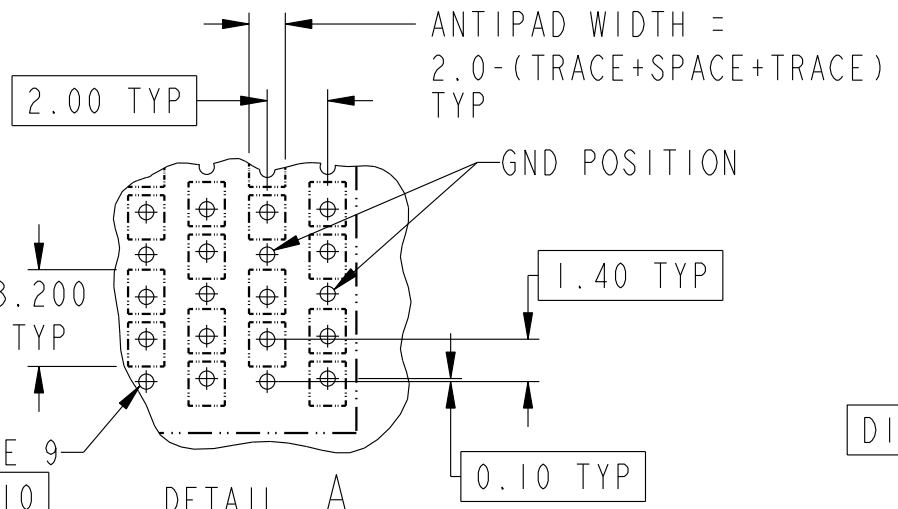
REV F - 2006-04-17

| rev | ecn no | dr | date |
|-----|----------|----|------------|
| A | S07-0103 | LS | 2007-04-05 |
| - | - | - | - |
| - | - | - | - |
| - | - | - | - |
| - | - | - | - |
| - | - | - | - |

| | | | | |
|--------------------|-----------|---------------------------------------|-----------------------------|------------------|
| www.fciconnect.com | | surface - ASME Y14.5 | tolerance std ASME Y14.5 | projection MM |
| | | TOLERANCES UNLESS OTHERWISE SPECIFIED | | |
| Dr | T. HOUTZ | 2005-06-30 | ANGULAR | 0.X ± |
| Eng | C. SHELLY | 2005-06-30 | LINEAR | 0.XX ± |
| Chr | C. H TAN | 2007-04-05 | 0° ± | 0.XXX ± |
| Appr | JOEY NG | 2007-04-05 | Product family | AirMax VS |
| | | Spec ref | | ECN *** |
| FCI | | AirMax VS VERT RECPT ASSY | | size A4 |
| | | PRESS-FIT, 72 POSITION, 12mm | | Scale 4:1 |
| catalog no | | - | | ECN *** |
| | | CUSTOMER | | sheet 1 of 4 |
| | | dwg no 10052829 | | Rev. A |

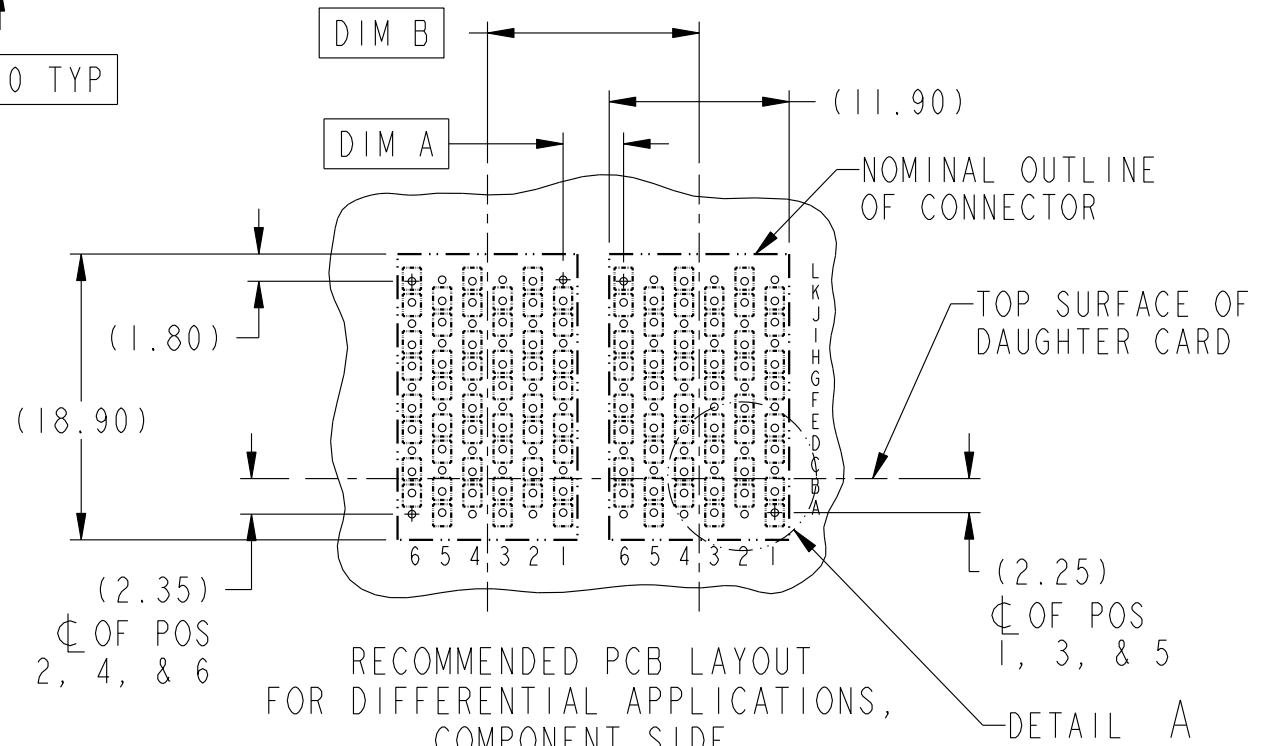


Copyright FCI.



SEE NOTE 9
 0.10
 ALL HOLES

DETAIL A
 SCALE 4:1



RECOMMENDED PCB LAYOUT
 FOR DIFFERENTIAL APPLICATIONS,
 COMPONENT SIDE
 (TWO ADJACENT FOOTPRINTS SHOWN)
 NOTES 6 & 7

| ADJACENT HEADER WIDTHS | DIM A | DIM B |
|------------------------|-------|-------|
| 12MM/12MM | 2.00 | 12.00 |
| 12MM/14MM | 3.00 | 13.00 |
| 14MM/14MM | 4.00 | 14.00 |

| | | | |
|--|--|--------------------|--------------|
| | TITLE AirMax VS VERT RECPT ASSY PRESS-FIT, 72 POSITION, 12mm | dwg no 10052829 | Rev. A |
| | catalog no - | CUSTOMER | sheet 2 of 4 |

1

2

3

4

A

B

C

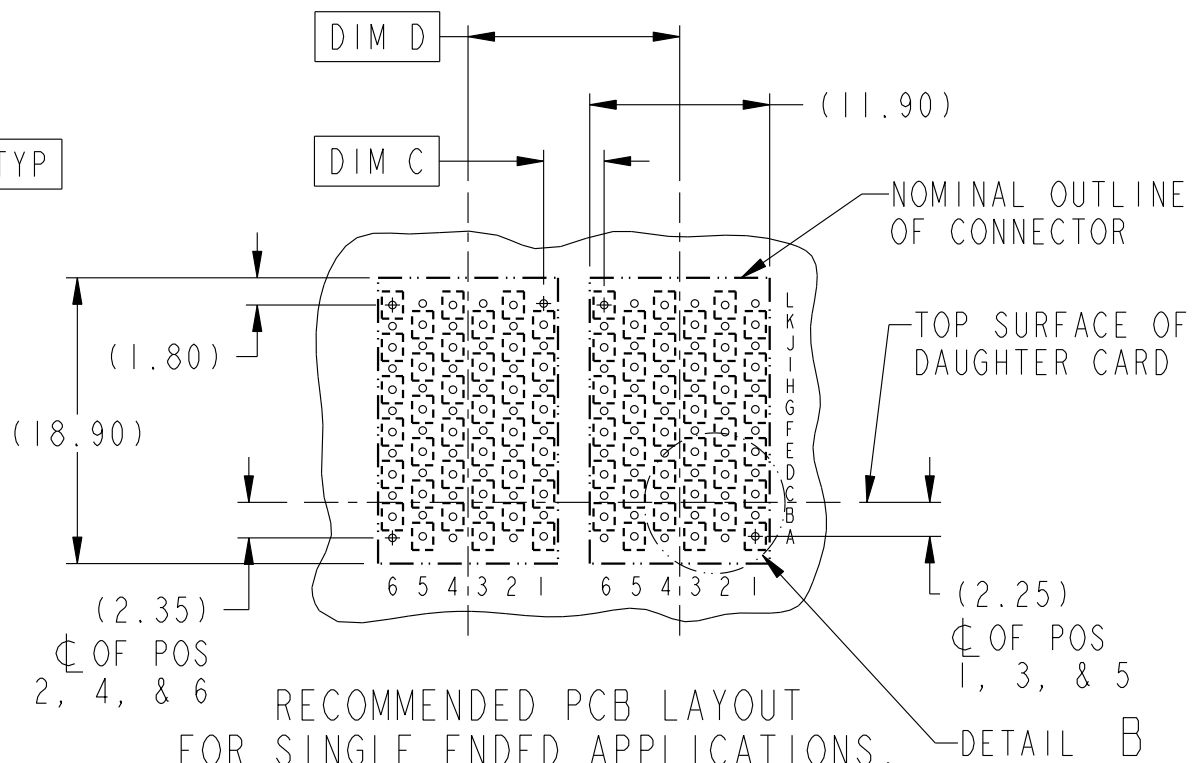
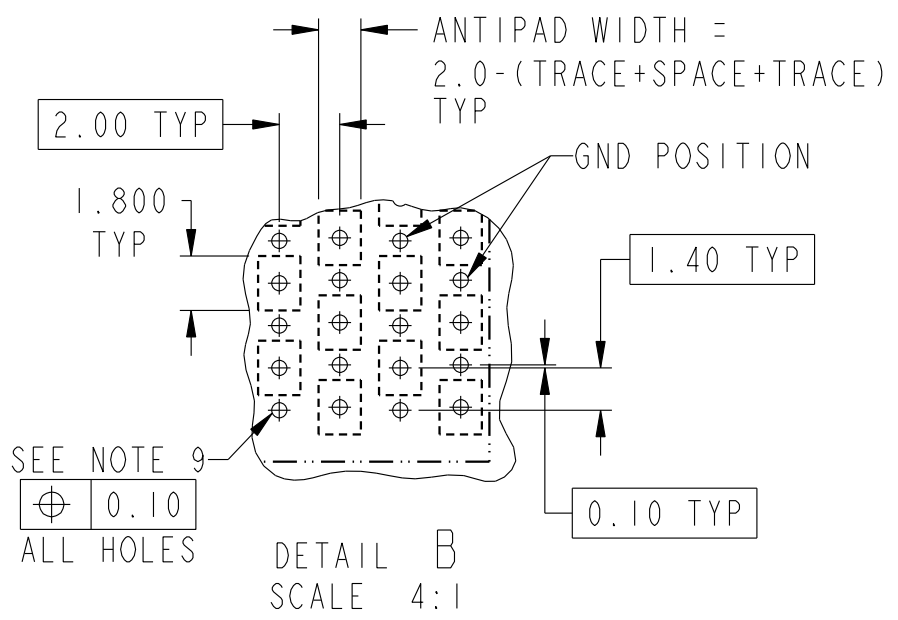
D

A

B

C

D



RECOMMENDED PCB LAYOUT
FOR SINGLE ENDED APPLICATIONS,
COMPONENT SIDE
(TWO ADJACENT FOOTPRINTS SHOWN)
NOTES 6 & 7

| ADJACENT HEADER WIDTHS | DIM C | DIM D |
|------------------------|-------|-------|
| 12MM/12MM | 2.00 | 12.00 |
| 12MM/14MM | 3.00 | 13.00 |
| 14MM/14MM | 4.00 | 14.00 |

| | | | |
|--|--|--------------------|--------------|
| | title AirMax VS VERT RECPT ASSY PRESS-FIT, 72 POSITION, 12mm | dwg no 10052829 | Rev. A |
| | catalog no - | CUSTOMER | sheet 3 of 4 |



Copyright FCI.

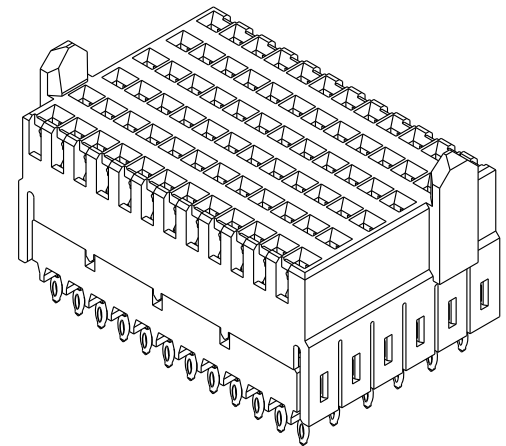
1

2

3

4

| | |
|----------------|-----------------------------|
| PRODUCT NUMBER | PRESS-FIT TAIL PLATING TYPE |
| 10052829-101 | TIN/LEAD ALLOY OVER NICKEL |
| 10052829-101LF | TIN OVER NICKEL (LEAD FREE) |



NOTES:

- 1. CONNECTOR MATERIALS:
HOUSING: HIGH TEMP THERMOPLASTIC, NATURAL, UL94V-0
IMLA PLASTIC: HIGH TEMP THERMOPLASTIC, BLACK, UL94V-0
CONTACT: COPPER ALLOY
- 2. CONTACT PLATING:
SEPARABLE INTERFACE:
PERFORMANCE-BASED PLATING, QUALIFIED TO MEET THE REQUIREMENTS OF FCI PRODUCT SPECIFICATION GS-12-239, INCLUDING TELCORDIA GR-1217-CORE (NOVEMBER 1995) CENTRAL OFFICE.
PRESS-FIT TAILS: SEE TABLE
- 3. PRODUCT SPECIFICATION: GS-12-239
- 4. APPLICATION SPECIFICATION: GS-20-035
- 5. PRODUCT MARKING, (PART NUMBER & LOT CODE), ON THIS SURFACE
- 6. REFER TO CUSTOMER DRAWING 10035911 FOR INFORMATION REGARDING PCB LAYOUT OF POWER AND GUIDE MODULES RELATIVE TO SIGNAL MODULES
- 7. POSITION F OF ODD NUMBERED COLUMNS AND POSITION G OF EVEN NUMBERED COLUMNS CORRESPOND TO EARLY MATE HEADER PINS
- 8. THERE IS NO GROUND BUSSING WITHIN THE CONNECTOR SYSTEM
- 9. SEE CUSTOMER DRAWING 10045979 FOR INFORMATION ON PCB HOLE DIAMETER AND PLATING OPTIONS
- 10. THIS PRODUCT MEETS EUROPEAN UNION DIRECTIVES AND OTHER COUNTRY REGULATIONS AS DESCRIBED IN GS-22-008
- 11. THE HOUSING WILL WITHSTAND EXPOSURE TO 260°C PEAK TEMPERATURE FOR 40 SECONDS IN A CONVECTION, INFRA-RED OR VAPOR PHASE REFLOW OVEN
- 12. PACKAGING MEETS GS-14-920 LEAD FREE LABELING SPECIFICATION



Copyright FCI.

REV F - 2006-04-17

| | | | |
|--|--|--------------------|--------------|
| | title AirMax VS VERT RECPT ASSY PRESS-FIT, 72 POSITION, 12mm | dwg no 10052829 | Rev. A |
| | catalog no - | CUSTOMER | sheet 4 of 4 |