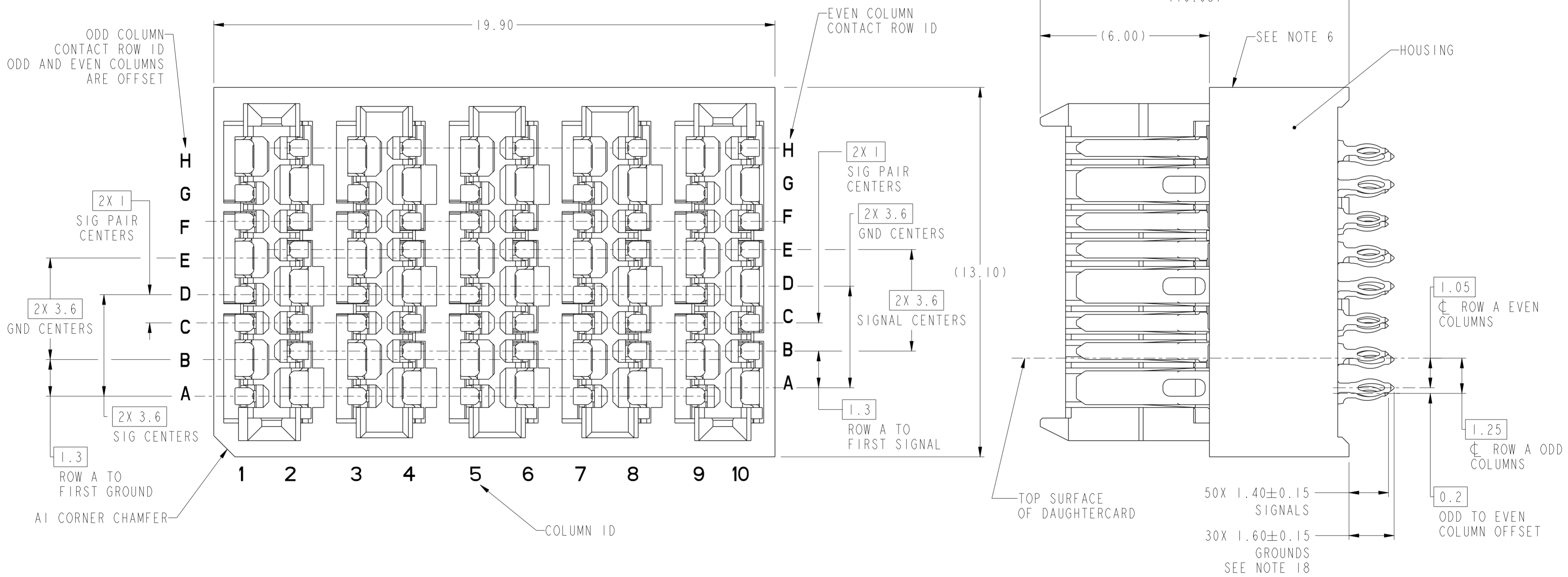


PRODUCT NUMBER
SEE SHEET 16



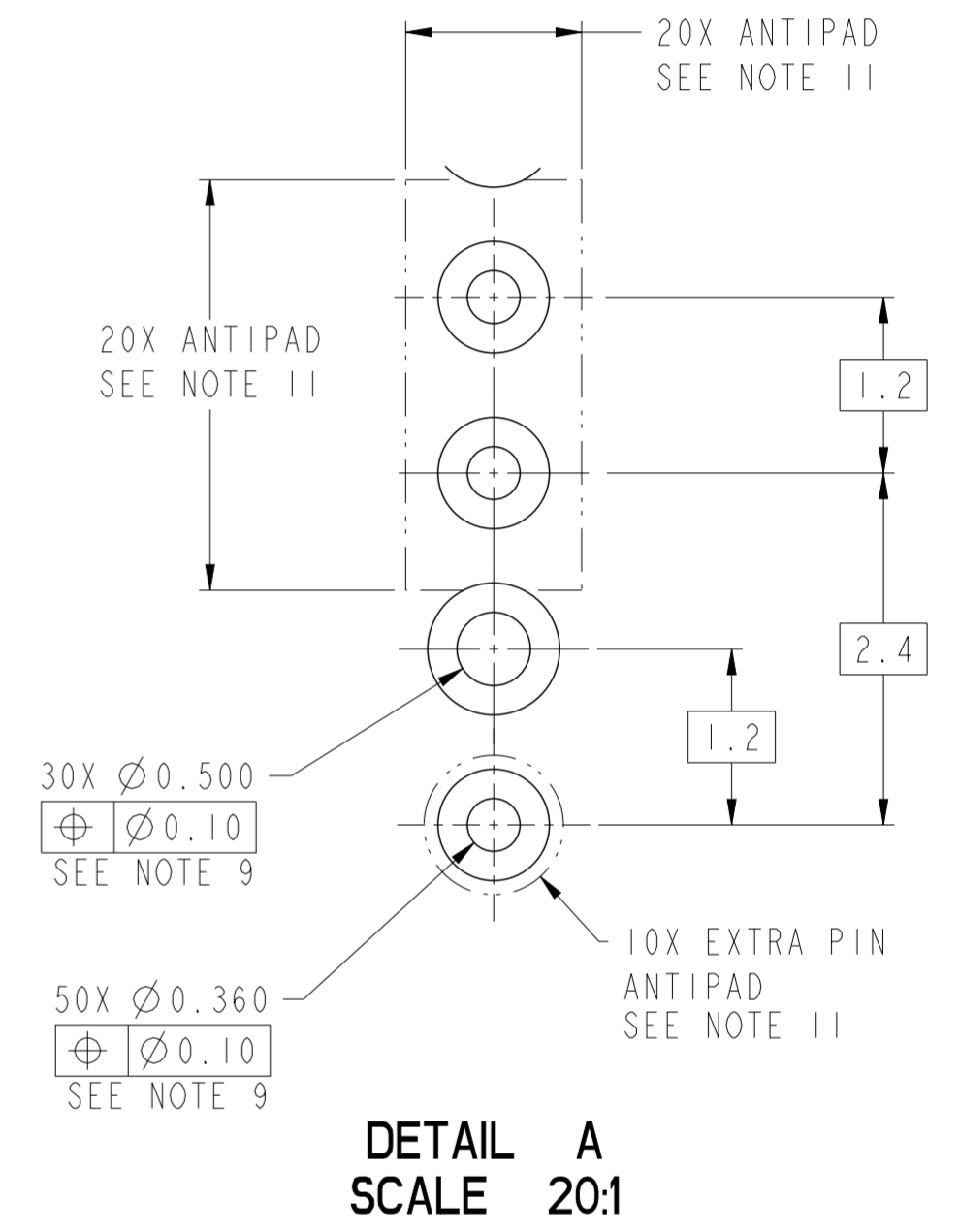
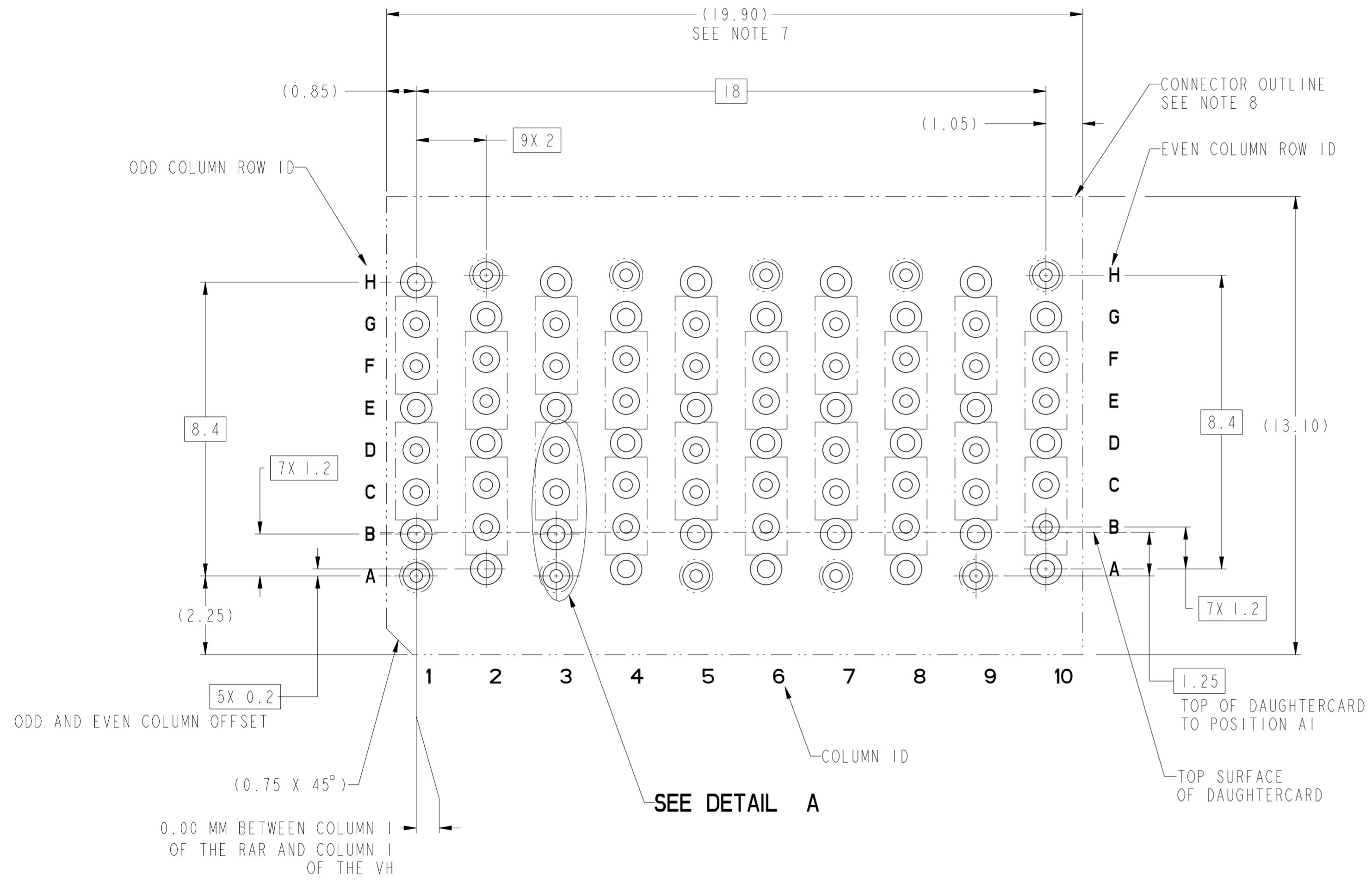
10124414-Y01LF
(10124414-101LF STANDARD MATE CONNECTOR SHOWN)

spec ref	---	dr	Daniel Xiao	2014/01/21	projection	MM	size	A2	scale	10:1		
tolerance std	ASME Y14.5M	eng	Peng-Bing Fu	2017/11/07			ecn no	ELX-DG-28204-1	rel level	Released		
TOLERANCES UNLESS OTHERWISE SPECIFIED		chr	Justin Chen	2017/11/29								
		appr	Heaven Cen	2017/11/30								
surface	linear	0.X	±.3	Amphenol FCI	product family		ExaMAX		title ExaMAX VERTICAL HEADER ASS'Y, 2 PAIR, 80 POS, 10 IMLA	dwg no 10124414	rev B	
		0.XX	±.10		SEE TABLE		Product - Customer Drw					sheet 1 of 17
	angular	0°	±2°		cat. no.							

PDS: Rev :B

STATUS:Released

Printed: Dec 01, 2017



RECOMMENDED PCB LAYOUT FOR
10124414-Y01LF COMPONENT SIDE
SEE NOTES 7, 8, 9, & 11

spec ref	---	dr	Daniel Xiao	2014/01/21	projection	MM	size	A2	scale	10:1		
tolerance std	ASME Y14.5M	eng	Peng-Bing Fu	2017/11/07			ecn no	ELX-DG-28204-1				
TOLERANCES UNLESS OTHERWISE SPECIFIED		chr	Justin Chen	2017/11/29				product family	ExaMAX	rel level	Released	
surface	-	appr	Heaven Cen	2017/11/30							cat. no.	SEE TABLE
	linear	0.X	±.3		title		ExaMAX VERTICAL HEADER ASS'Y, 2 PAIR, 80 POS, 10 IMLA	dwg no 10124414	rev B			
		0.XX	±.10		product family					ExaMAX		
		0.XXX	±.050		rel level					Released		
	angular	0°	±2°	cat. no.		SEE TABLE	Product - Customer Drw		sheet 2 of 17			

1 2 3 4 5 6 7 8

A

B

C

D

E

F

A

B

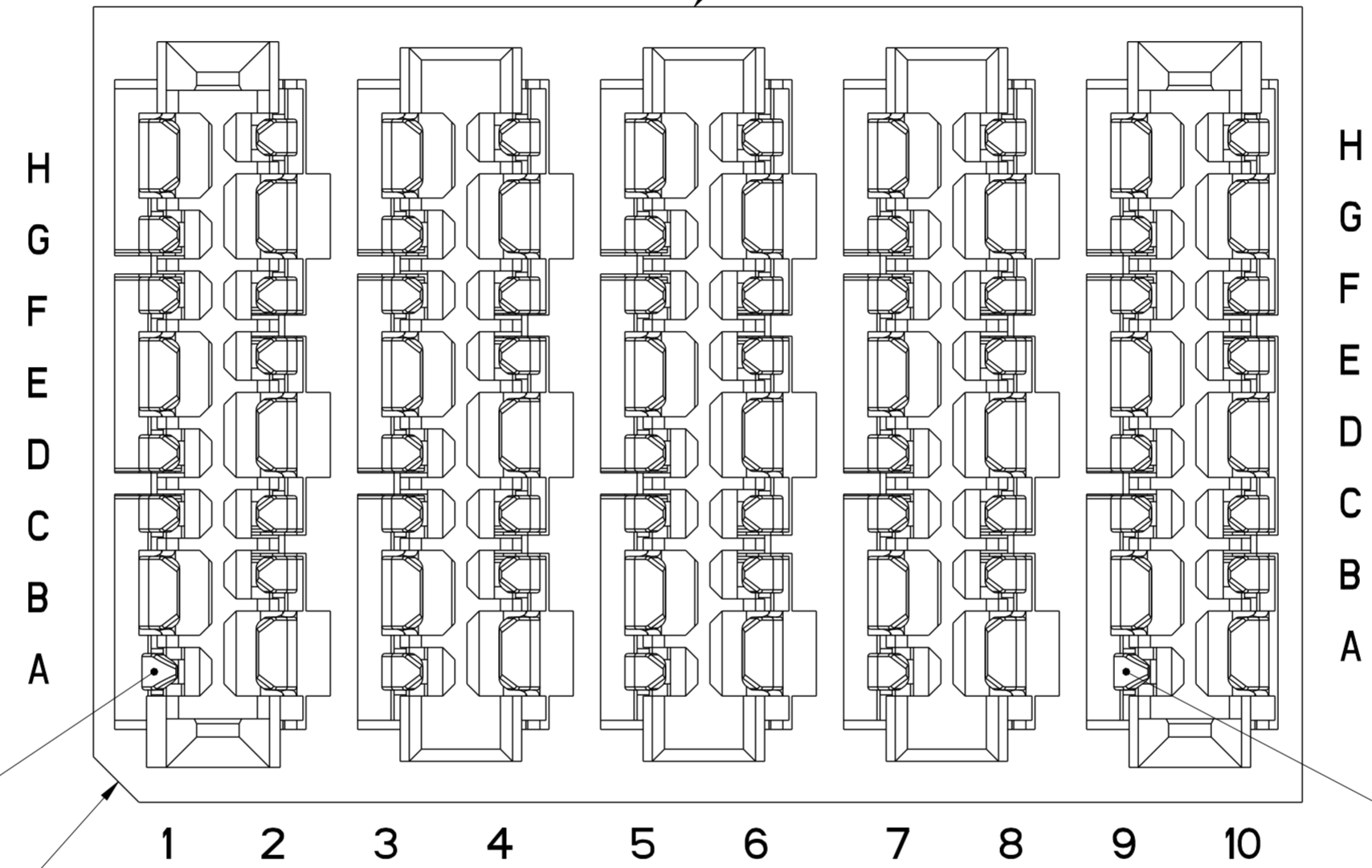
C

D

E

F

SEE NOTE 6



ADVANCED MATE POSITION A1
SEE NOTE 13

A1 CORNER CHAMFER

ADVANCED MATE POSITION A9
SEE NOTE 13

10124414-201LF
ADVANCED MATE CONNECTOR
ADVANCED MATE POSITIONS ARE POSITIONS A1 AND A9 ONLY
FOR ALL OTHER DIMENSIONS SEE SHEETS 1 & 2

Amphenol
FCi

© 2016 AFci

spec ref	---	dr	Daniel Xiao	2014/01/21	projection	MM	size	A2	scale	10:1
tolerance std	ASME Y14.5M	eng	Peng-Bing Fu	2017/11/07			ecn no	ELX-DG-28204-1		
TOLERANCES UNLESS OTHERWISE SPECIFIED		chr	Justin Chen	2017/11/29			rel level	Released		
		appr	Heaven Cen	2017/11/30			product family	ExaMAX		
surface	-				title ExaMAX VERTICAL HEADER ASS'Y, 2 PAIR, 80 POS, 10 IMLA		dwg no 10124414	rev B		
	linear	0.X	±.3		cat. no.	SEE TABLE	Product - Customer Drw	sheet 3 of 17		
		0.XX	±.10							
		0.XXX	±.050							
	angular	0°	±2°							

PDS: Rev :B

STATUS:Released

Printed: Dec 01, 2017

1 2 3 4 5 6 7 8

A

B

C

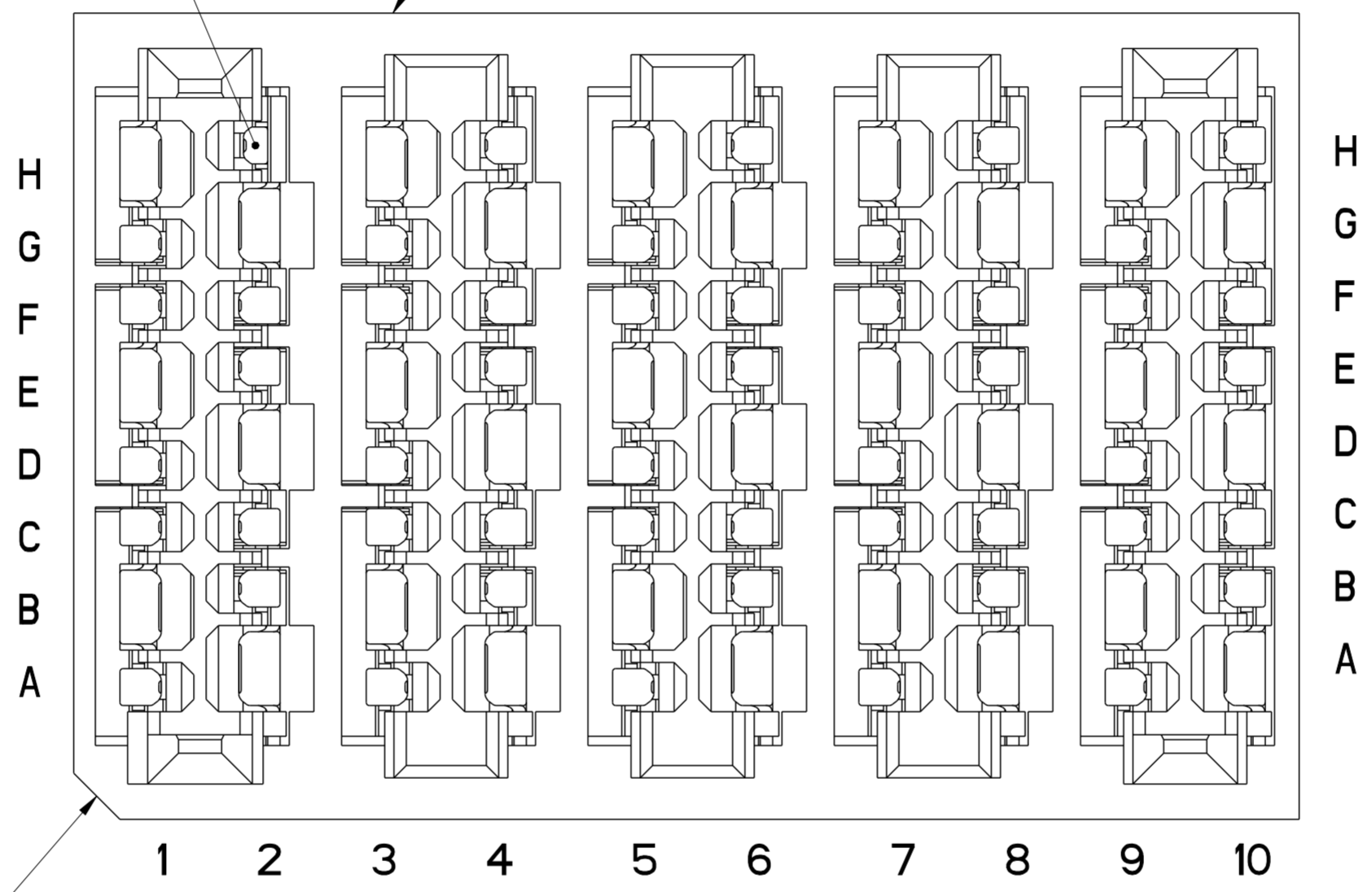
D

E

F

SHORT DETECT
POSITION H2
SEE NOTE 14

SEE NOTE 6



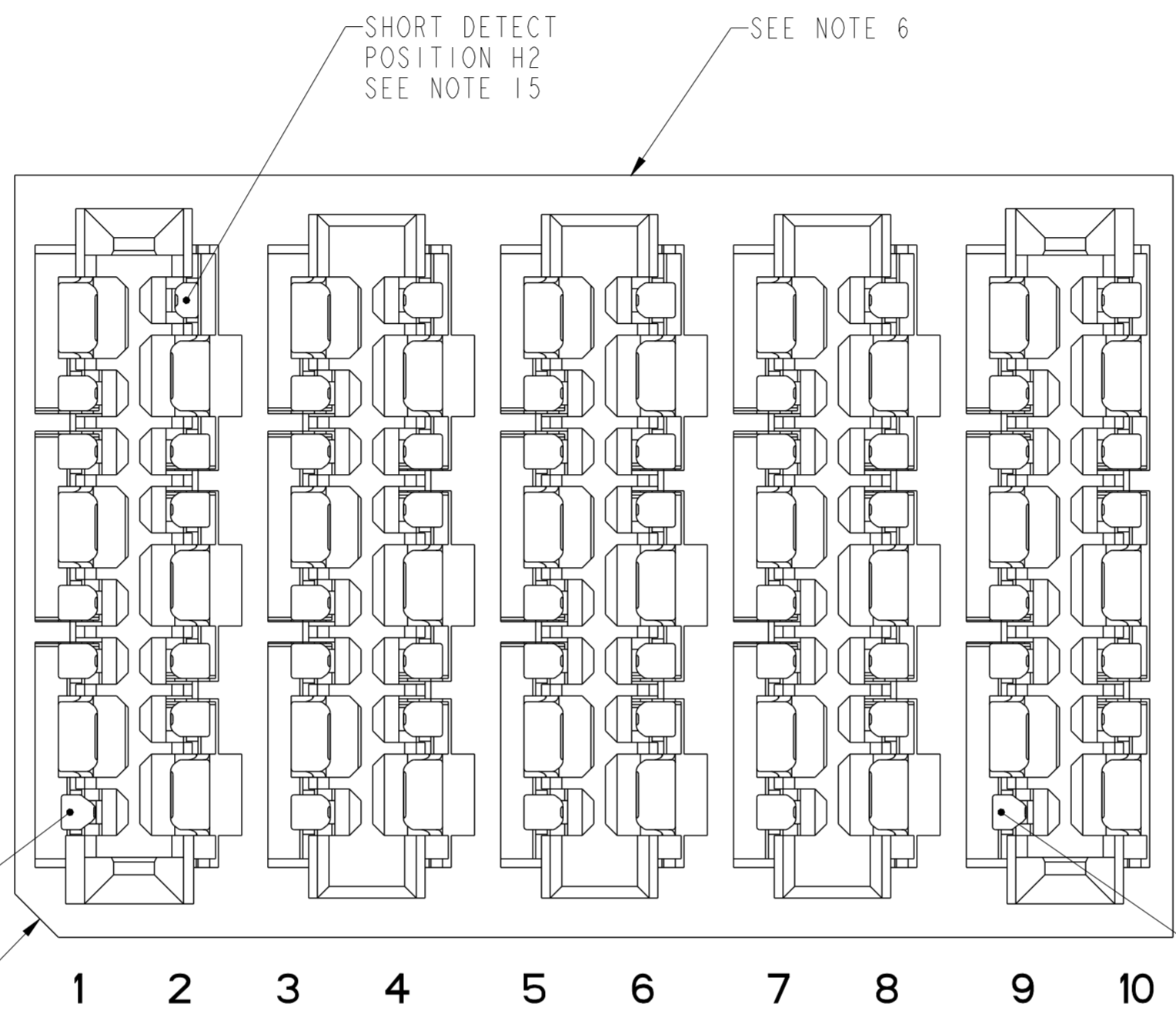
A1 CORNER CHAMFER

10124414-301LF
SHORT DETECT CONNECTOR
SHORT DETECT POSITION IS H2 ONLY
FOR ALL OTHER DIMENSIONS SEE SHEETS 1 & 2

Amphenol
FCi

© 2016 AFci

spec ref	---	dr	Daniel Xiao	2014/01/21	projection	MM	size	A2	scale	10:1												
tolerance std	ASME Y14.5M	eng	Peng-Bing Fu	2017/11/07			ecn no	ELX-DG-28204-1														
TOLERANCES UNLESS OTHERWISE SPECIFIED		chr	Justin Chen	2017/11/29			rel level	Released														
surface	<table border="1"> <tr> <td>linear</td> <td>0.X</td> <td>±.3</td> </tr> <tr> <td></td> <td>0.XX</td> <td>±.10</td> </tr> <tr> <td></td> <td>0.XXX</td> <td>±.050</td> </tr> <tr> <td>angular</td> <td>0°</td> <td>±2°</td> </tr> </table>	linear	0.X	±.3		0.XX	±.10		0.XXX	±.050	angular	0°	±2°	appr	Heaven Cen	2017/11/30	product family	ExaMAX		rel level	Released	
linear	0.X	±.3																				
	0.XX	±.10																				
	0.XXX	±.050																				
angular	0°	±2°																				
				title ExaMAX VERTICAL HEADER ASS'Y, 2 PAIR, 80 POS, 10 IMLA		dwg no 10124414	rev B															
		cat. no.		SEE TABLE	Product - Customer Drw		sheet 4 of 17															



10124414-401LF
ADVANCED MATE/SHORT DETECT CONNECTOR
ADVANCED MATE POSITIONS ARE POSITIONS A1 AND A9 ONLY
SHORT DETECT POSITION IS H2 ONLY
FOR ALL OTHER DIMENSIONS SEE SHEETS 1 & 2

**Amphenol
FCi**

© 2016 AFci

spec ref	---	dr	Daniel Xiao	2014/01/21	projection	MM	size	A2	scale	10:1	
tolerance std	ASME Y14.5M	eng	Peng-Bing Fu	2017/11/07			ecn no	ELX-DG-28204-1			
TOLERANCES UNLESS OTHERWISE SPECIFIED		chr	Justin Chen	2017/11/29			rel level	Released			
surface	-	appr	Heaven Cen	2017/11/30			product family	ExaMAX			
	linear	0.X	±.3		title		ExaMAX VERTICAL HEADER		dwg no 10124414	rev B	
		0.XX	±.10		title		ASS'Y, 2 PAIR, 80 POS, 10 IMLA				
		0.XXX	±.050		cat. no.		SEE TABLE				
	angular	0°	±2°	Product - Customer Drw		sheet 5 of 17					

A

B

C

D

E

F

A

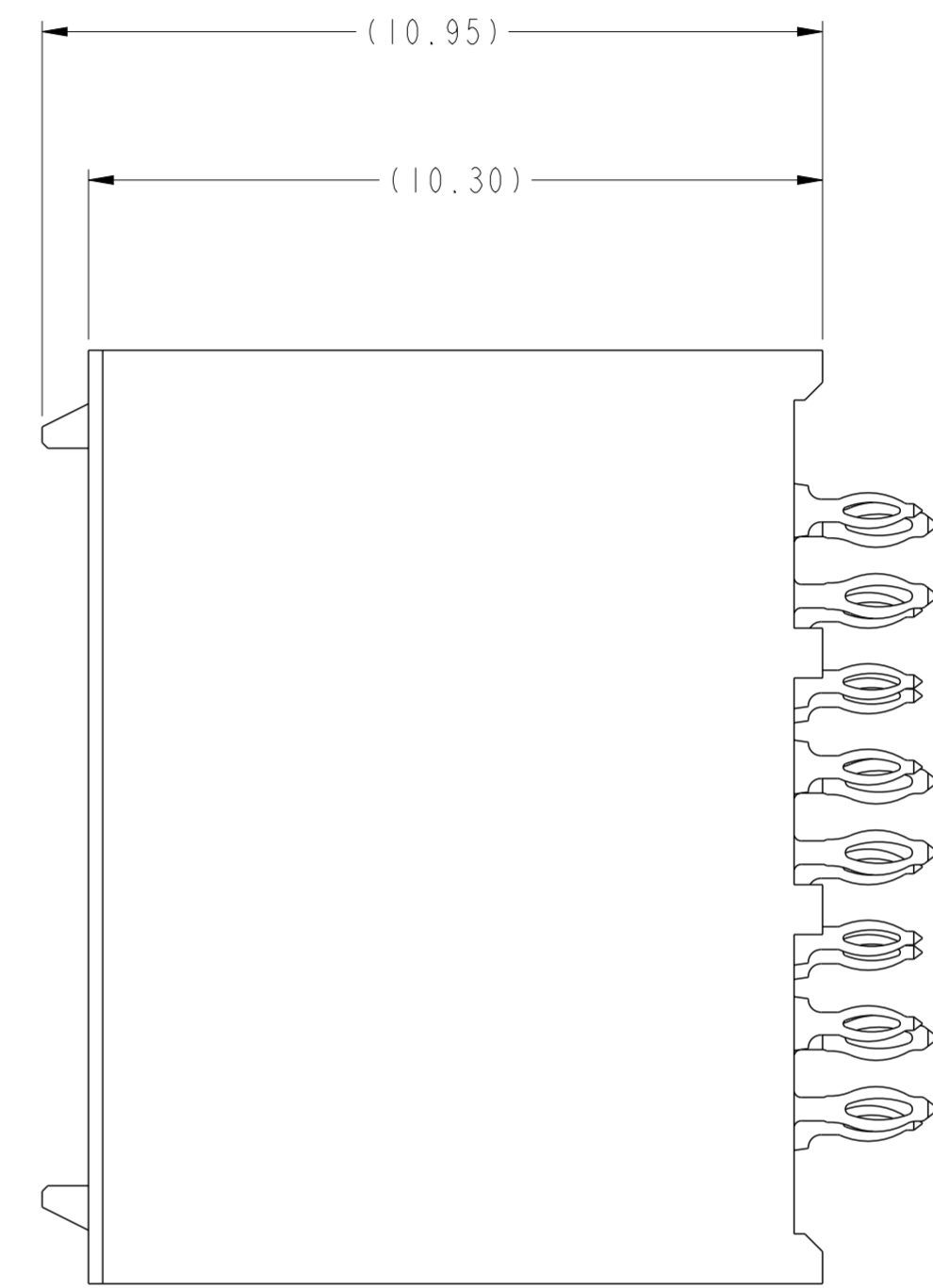
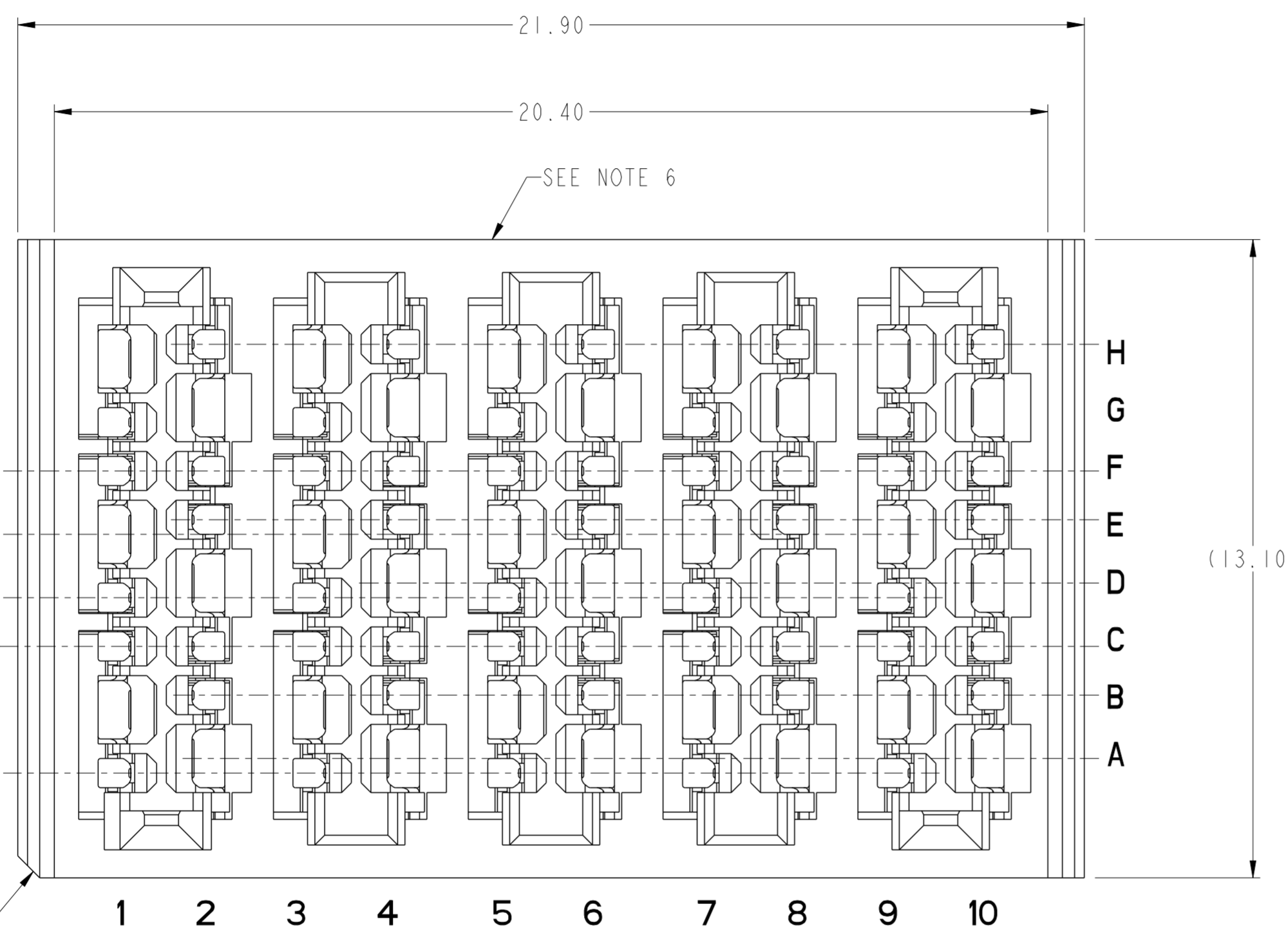
B

C

D

E

F



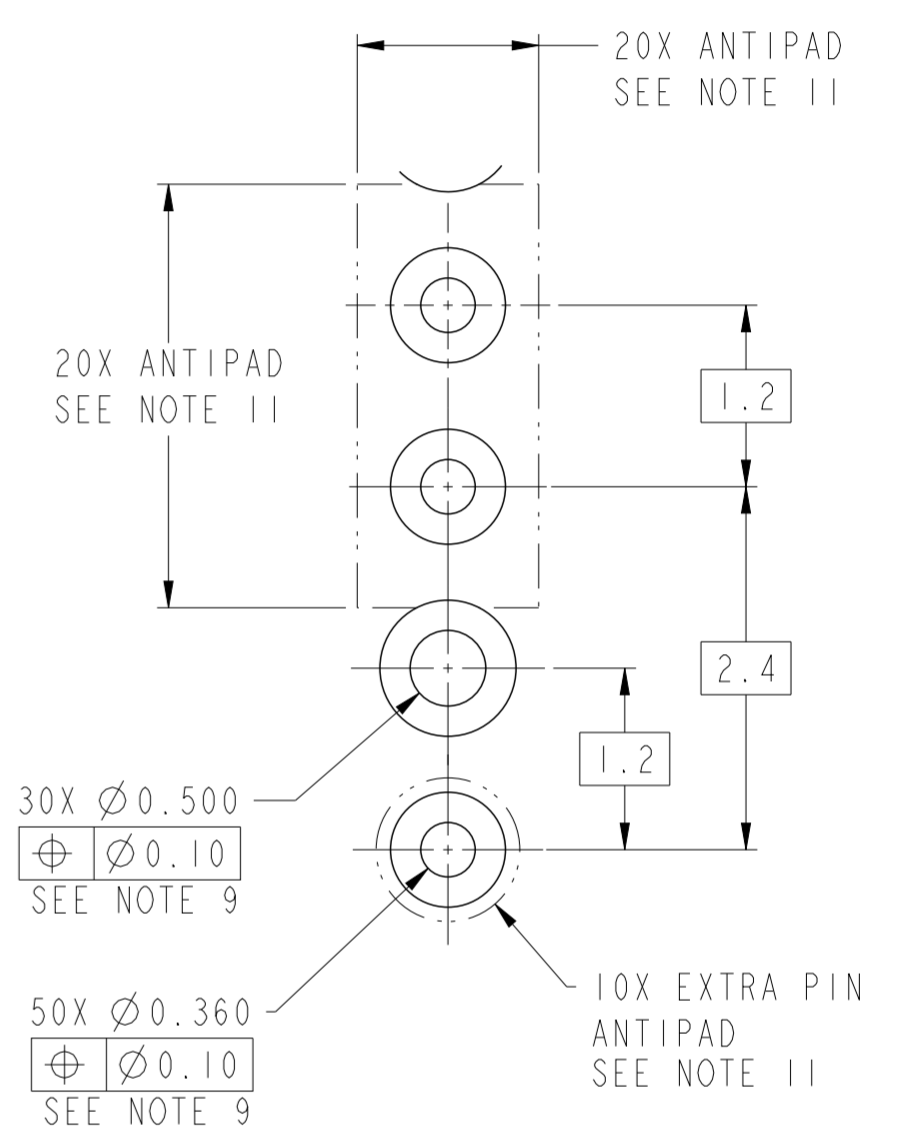
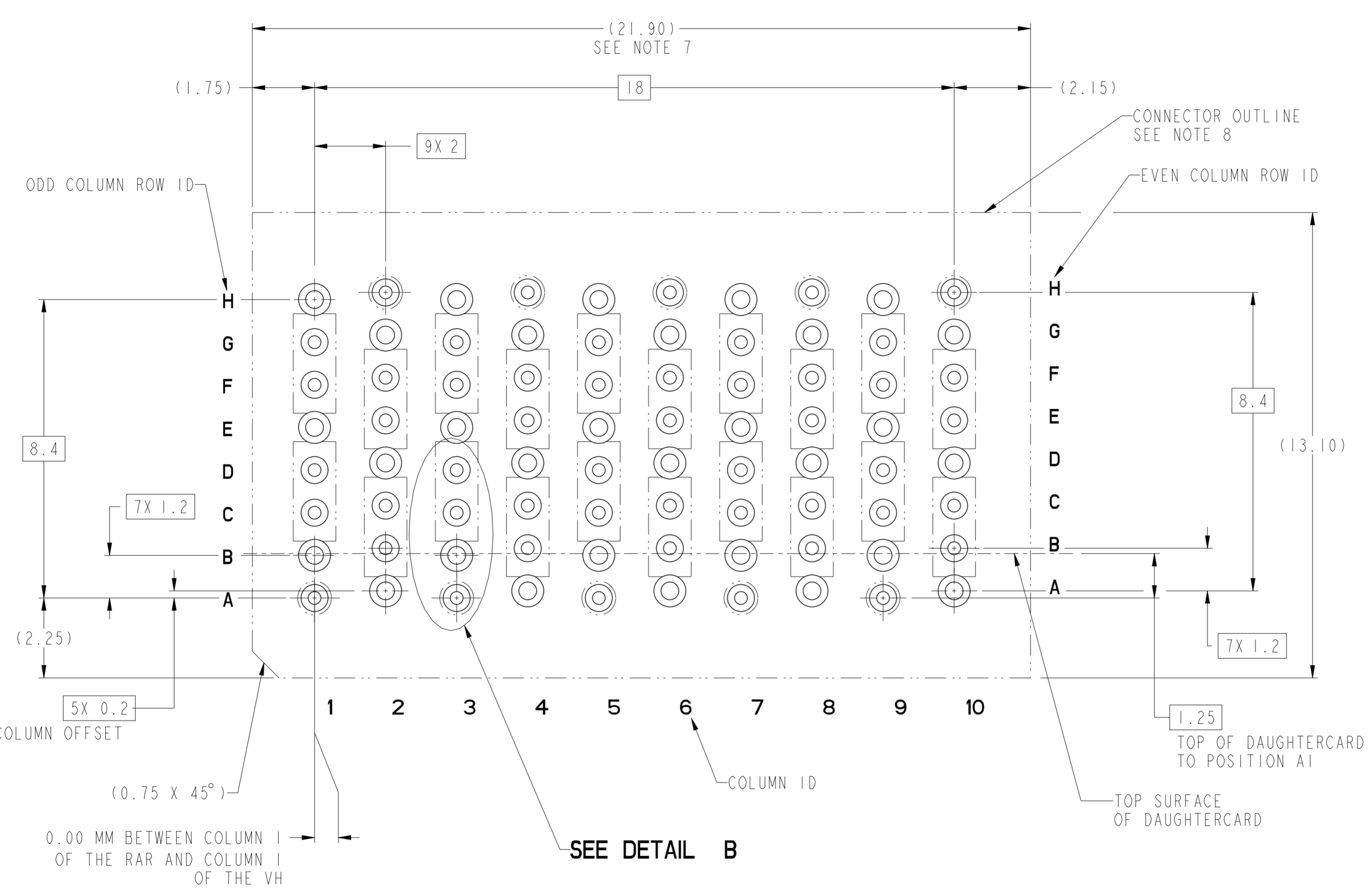
Amphenol
FCi

AI CORNER CHAMFER

10124414-Y02LF (10124414-102LF SHOWN)
END WALLED CONNECTOR
FOR ALL DIMENSIONS SEE SHEET 1

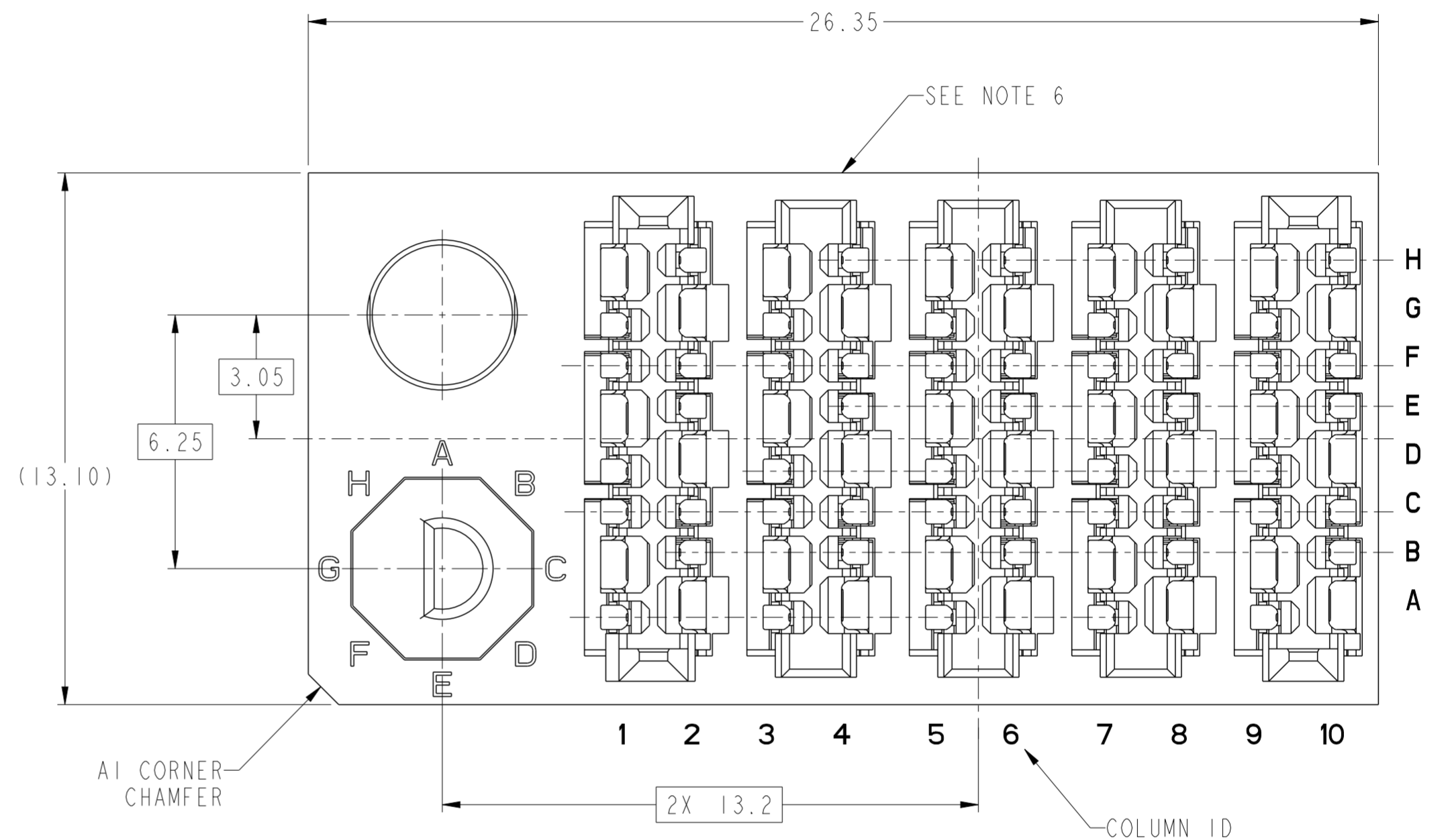
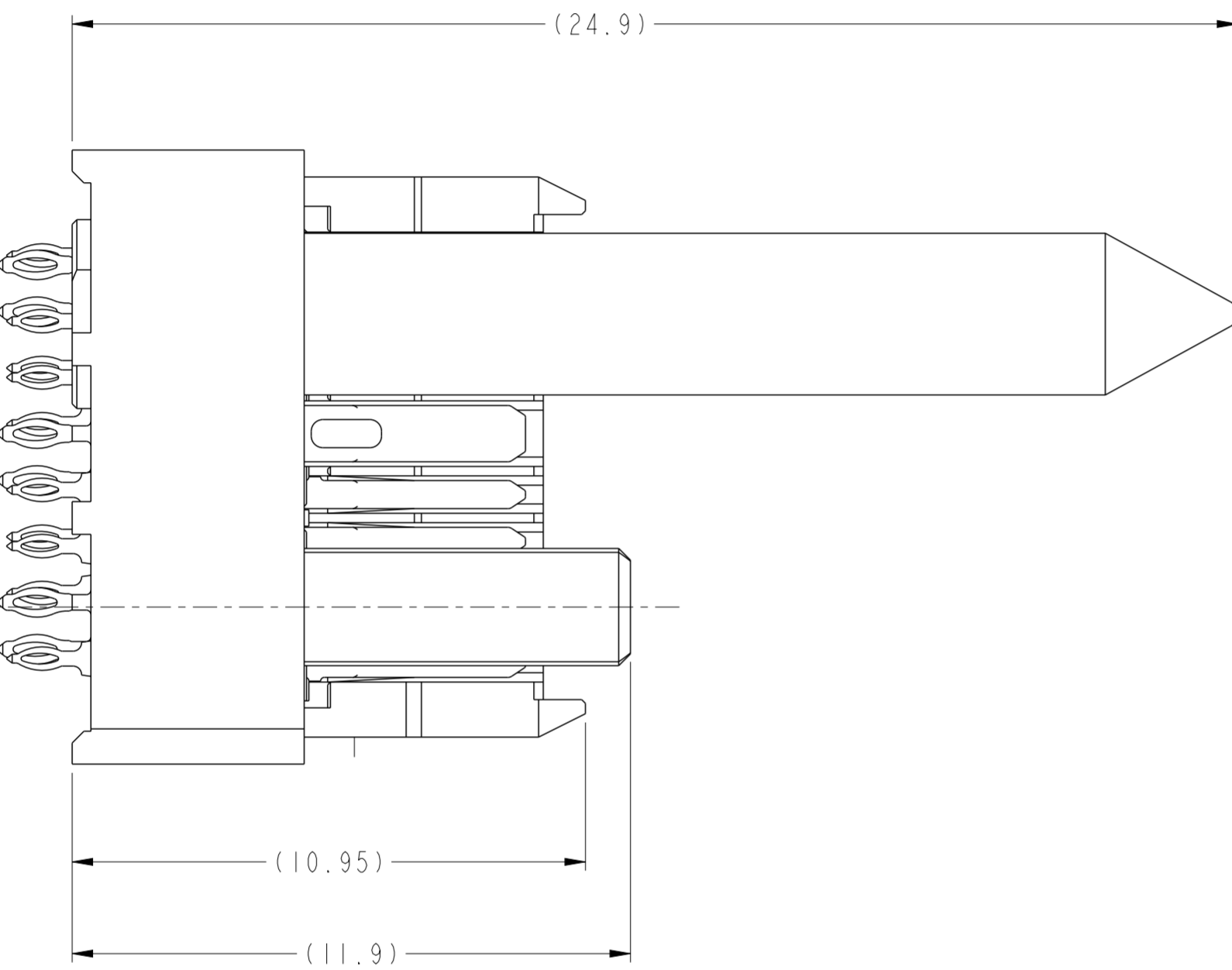
© 2016 AFci

spec ref	---	dr	Daniel Xiao	2014/01/21	projection	MM	size	A2	scale	10:1							
tolerance std	ASME Y14.5M	eng	Peng-Bing Fu	2017/11/07			ecn no	ELX-DG-28204-1									
TOLERANCES UNLESS OTHERWISE SPECIFIED		chr	Justin Chen	2017/11/29			rel level	Released									
surface	<table border="1"> <tr> <td rowspan="3">-</td> <td rowspan="3">linear</td> <td>0.X</td> <td>±.3</td> </tr> <tr> <td>0.XX</td> <td>±.10</td> </tr> <tr> <td>0.XXX</td> <td>±.050</td> </tr> <tr> <td></td> <td>angular</td> <td>0°</td> <td>±2°</td> </tr> </table>	-	linear	0.X			±.3	0.XX	±.10	0.XXX	±.050		angular	0°	±2°		title ExaMAX VERTICAL HEADER ASS'Y, 2 PAIR, 80 POS, 10 IMLA
-	linear			0.X	±.3												
				0.XX	±.10												
		0.XXX	±.050														
	angular	0°	±2°														
		appr	Heaven Cen	2017/11/30	product family	ExaMAX		rel level									
		cat. no.		SEE TABLE	Product - Customer Drw		sheet 6 of 17										



RECOMMENDED PCB LAYOUT FOR
10124414-Y02LF (END WALLED CONNECTOR) COMPONENT SIDE
SEE NOTES 7, 8, 9, & 11

spec ref	---	dr	Daniel Xiao	2014/01/21	projection	MM	size	A2	scale	10:1
tolerance std	ASME Y14.5M	eng	Peng-Bing Fu	2017/11/07			ecn no	ELX-DG-28204-1	rel level	Released
TOLERANCES UNLESS OTHERWISE SPECIFIED		chr	Justin Chen	2017/11/29						
		appr	Heaven Cen	2017/11/30						
surface	linear	0.X	±.3		product family	ExaMAX	title ExaMAX VERTICAL HEADER ASS'Y, 2 PAIR, 80 POS, 10 IMLA	dwg no 10124414	rev B	
		0.XX	±.10		cat. no. SEE TABLE	Product - Customer Drw				sheet 7 of 17
		0.XXX	±.050							
	angular	0°	±2°	PDS: Rev :B		STATUS:Released		Printed: Dec 01, 2017		



10124414-Y1ALF THRU -Y1JLF
 RIGHT GUIDANCE CONNECTOR (SEE NOTE 17)
 FOR ALL OTHER DIMENSIONS SEE SHEET 1

Amphenol
 FCI

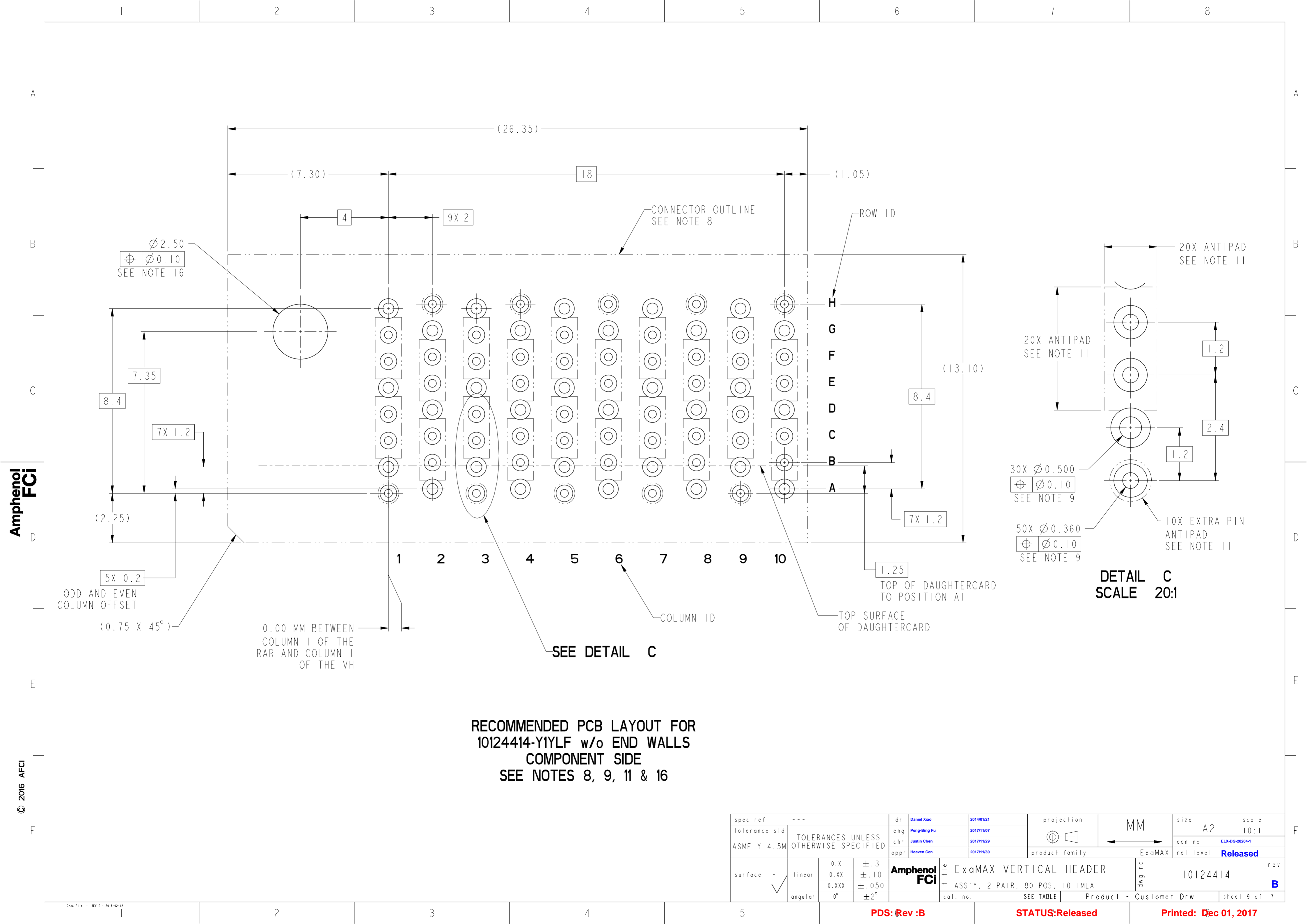
© 2016 AFCI

spec ref	---	dr	Daniel Xiao	2014/01/21	projection	MM	size	A2	scale	10:1											
tolerance std	ASME Y14.5M	eng	Peng-Bing Fu	2017/11/07			ecn no	ELX-DG-28204-1													
TOLERANCES UNLESS OTHERWISE SPECIFIED		chr	Justin Chen	2017/11/29			rel level	Released													
		appr	Heaven Cen	2017/11/30			product family	ExaMAX													
surface	<table border="1"> <tr> <td>linear</td> <td>0.X</td> <td>±.3</td> </tr> <tr> <td></td> <td>0.XX</td> <td>±.10</td> </tr> <tr> <td></td> <td>0.XXX</td> <td>±.050</td> </tr> <tr> <td>angular</td> <td>0°</td> <td>±2°</td> </tr> </table>	linear	0.X	±.3		0.XX	±.10		0.XXX	±.050	angular	0°	±2°			title ExaMAX VERTICAL HEADER ASS'Y, 2 PAIR, 80 POS, 10 IMLA		dwg no 10124414	rev B	cat. no. SEE TABLE Product - Customer Draw sheet 8 of 17	
linear	0.X	±.3																			
	0.XX	±.10																			
	0.XXX	±.050																			
angular	0°	±2°																			

PDS: Rev :B

STATUS:Released

Printed: Dec 01, 2017



**RECOMMENDED PCB LAYOUT FOR
10124414-Y1YLF w/o END WALLS
COMPONENT SIDE
SEE NOTES 8, 9, 11 & 16**

spec ref	---	dr	Daniel Xiao	2014/01/21	projection	MM	size	A2	scale	10:1
tolerance std	ASME Y14.5M	eng	Peng-Bing Fu	2017/11/07			ecn no	ELX-DG-28204-1	rel level	Released
TOLERANCES UNLESS OTHERWISE SPECIFIED		chr	Justin Chen	2017/11/29						
		appr	Heaven Cen	2017/11/30						
surface	linear	0.X	±.3	Amphenol FCi	product family		ExaMAX	title ExaMAX VERTICAL HEADER ASS'Y, 2 PAIR, 80 POS, 10 IMLA cat. no. SEE TABLE	Product - Customer Drw	sheet 9 of 17
		0.XX	±.10		rel level	10124414				
		0.XXX	±.050		rev	B				
	angular	0°	±2°							

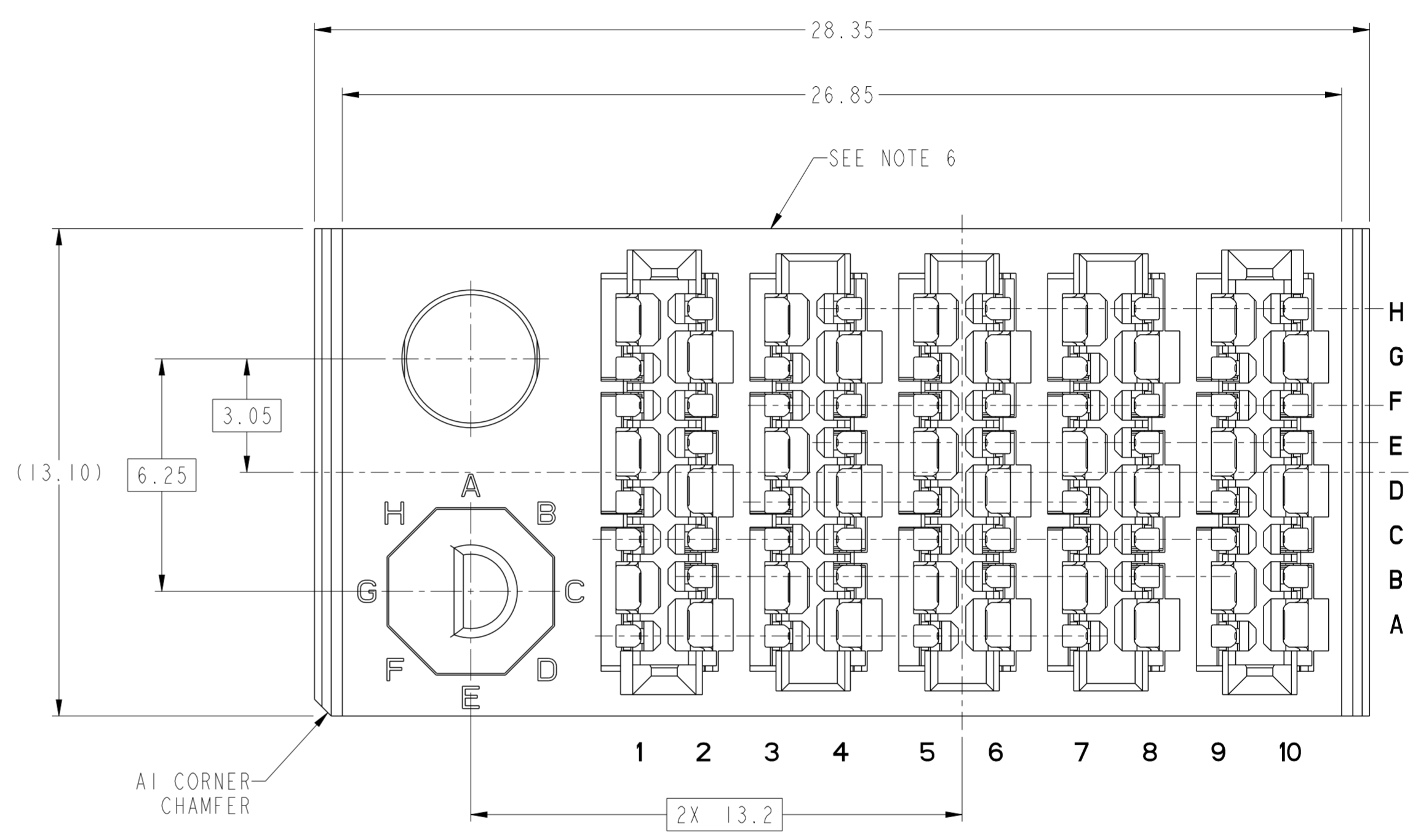
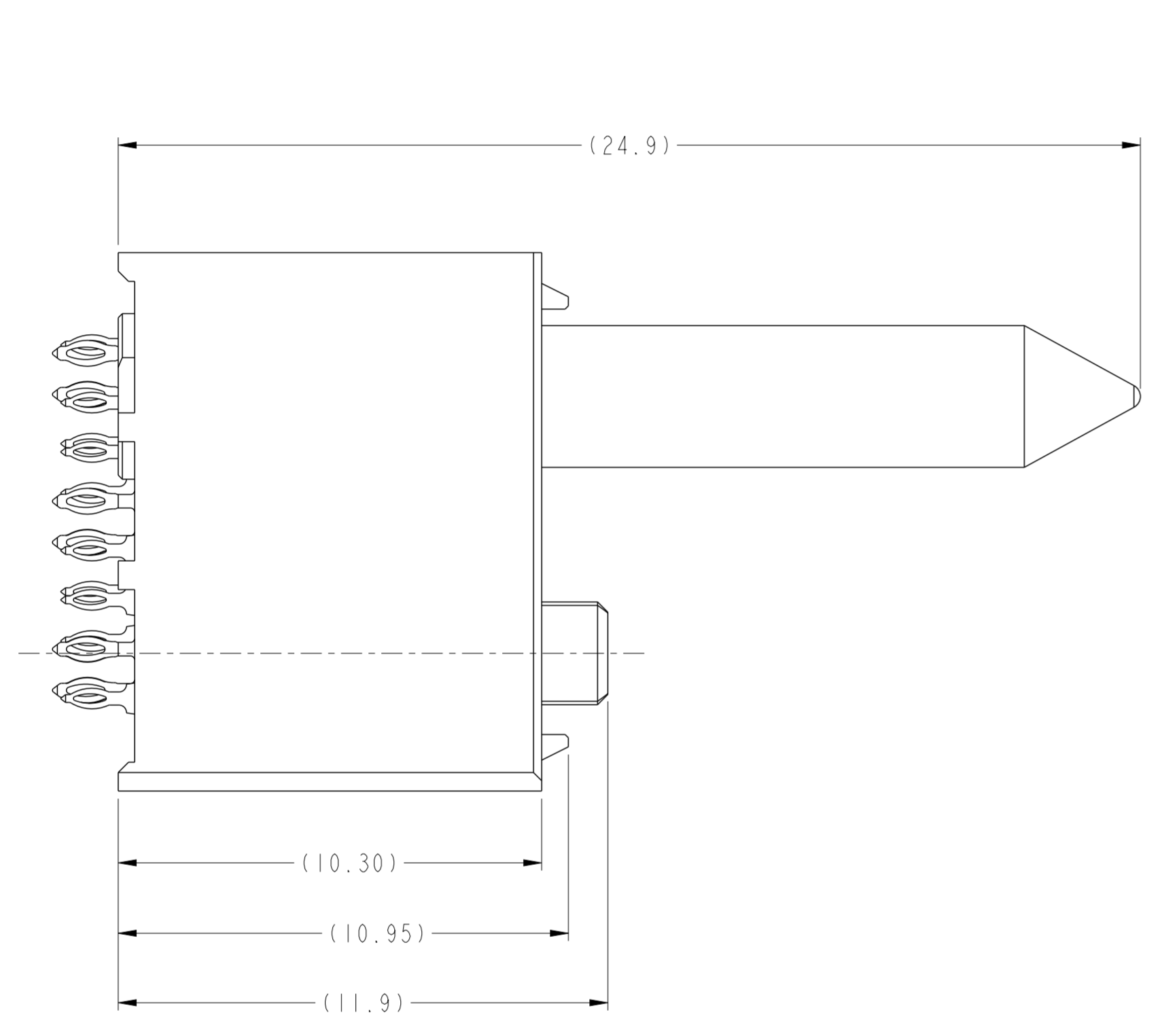
PDS: Rev :B

STATUS:Released

Printed: Dec 01, 2017

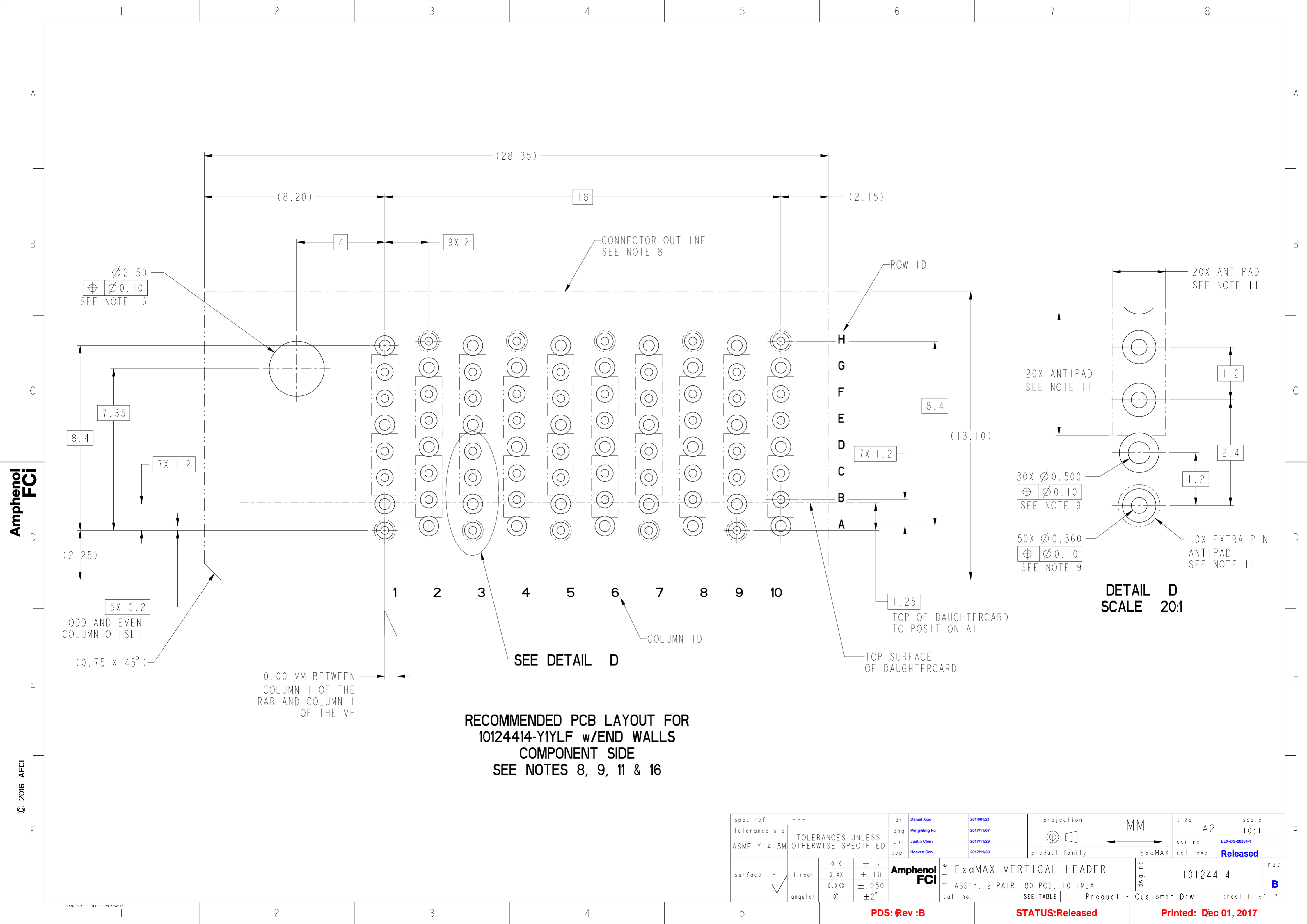
**Amphenol
FCi**

© 2016 AFci



10124414-Y1LLF THRU -Y1WLF
RIGHT GUIDANCE CONNECTOR w/END WALLS (SEE NOTE 17)
FOR ALL OTHER DIMENSIONS SEE SHEET 1

spec ref	---	dr	Daniel Xiao	2014/01/21	projection	MM	size	A2	scale	101:1										
tolerance std	ASME Y14.5M	eng	Peng-Bing Fu	2017/11/07			ecn no	ELX-DG-28204-1												
TOLERANCES UNLESS OTHERWISE SPECIFIED		chr	Justin Chen	2017/11/29			rel level	Released												
surface	<table border="1"> <tr> <td>linear</td> <td>0.X</td> <td>±.3</td> </tr> <tr> <td></td> <td>0.XX</td> <td>±.10</td> </tr> <tr> <td></td> <td>0.XXX</td> <td>±.050</td> </tr> <tr> <td>angular</td> <td>0°</td> <td>±2°</td> </tr> </table>	linear	0.X	±.3				0.XX	±.10		0.XXX	±.050	angular	0°	±2°	appr	Heaven Cen	2017/11/30	product family	ExaMAX
linear	0.X	±.3																		
	0.XX	±.10																		
	0.XXX	±.050																		
angular	0°	±2°																		
					title ExaMAX VERTICAL HEADER ASS'Y, 2 PAIR, 80 POS, 10 IMLA		dwg no 10124414	rev B												
		cat. no.			SEE TABLE	Product - Customer Drw		sheet 10 of 17												



Amphenol
FCi

© 2016 AFci

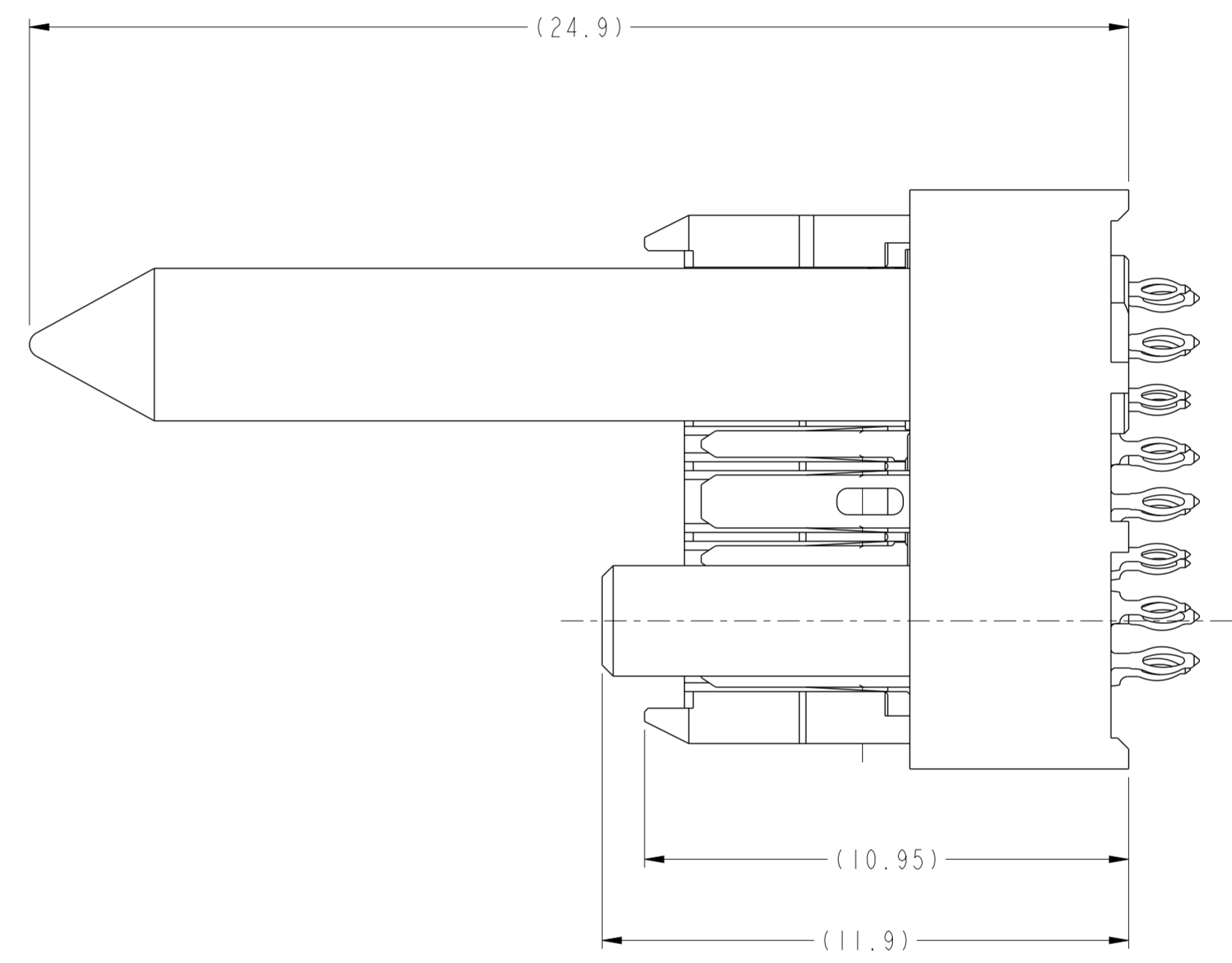
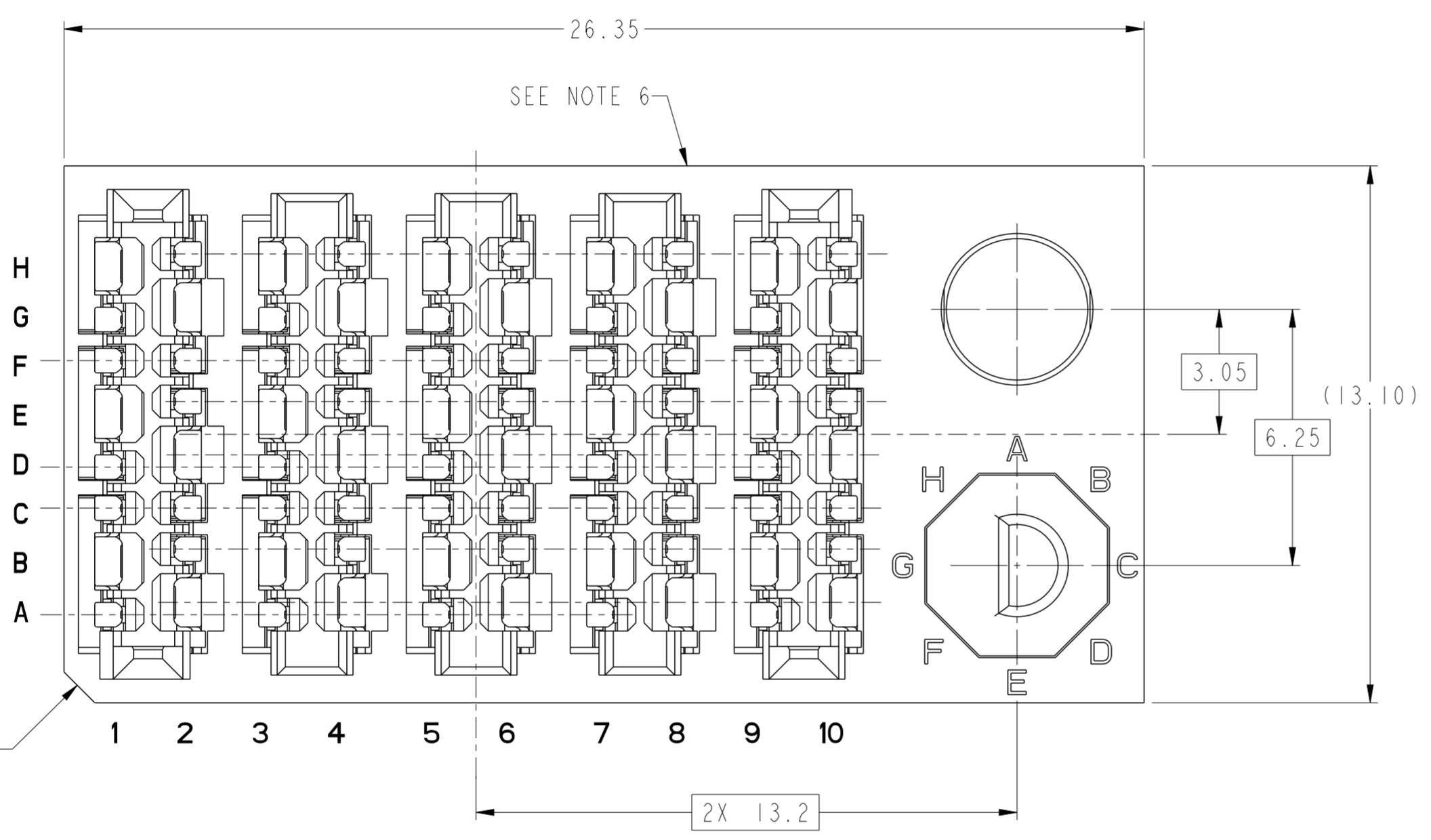
**RECOMMENDED PCB LAYOUT FOR
10124414-Y1YLF w/END WALLS
COMPONENT SIDE
SEE NOTES 8, 9, 11 & 16**

spec ref	---	dr	Daniel Xiao	2014/01/21	projection	MM	size	A2	scale	10:1
tolerance std	ASME Y14.5M	eng	Peng-Bing Fu	2017/11/07			ecn no	ELX-DG-28204-1	rel level	Released
TOLERANCES UNLESS OTHERWISE SPECIFIED		chr	Justin Chen	2017/11/29						
		appr	Heaven Cen	2017/11/30						
surface	-	product family	ExaMAX		product family	ExaMAX	rel level	Released		
linear angular	0.X	±.3		title ExaMAX VERTICAL HEADER ASS'Y, 2 PAIR, 80 POS, 10 IMLA	cat. no. SEE TABLE	Product - Customer Drw	sheet 11 of 17	rev B	title 10124414	rev B
	0.XX	±.10								
	0.XXX	±.050								
	0°	±2°								

PDS: Rev :B

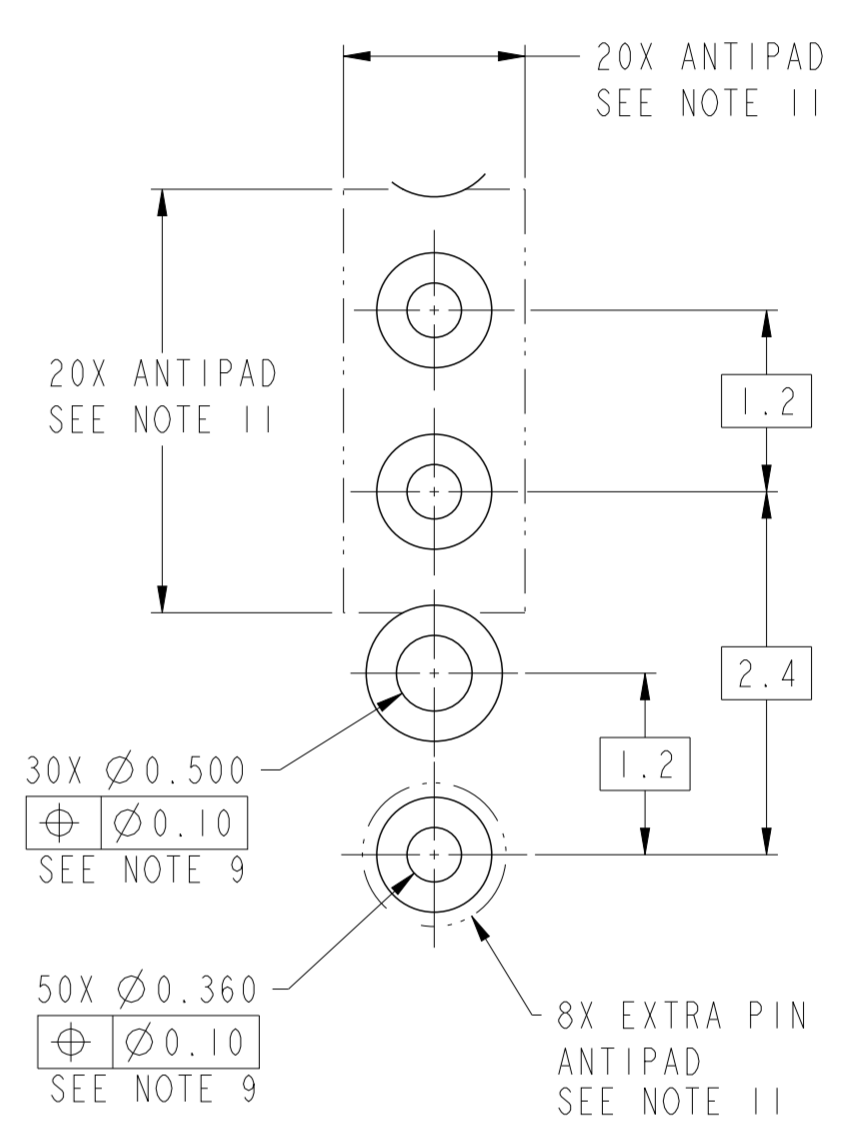
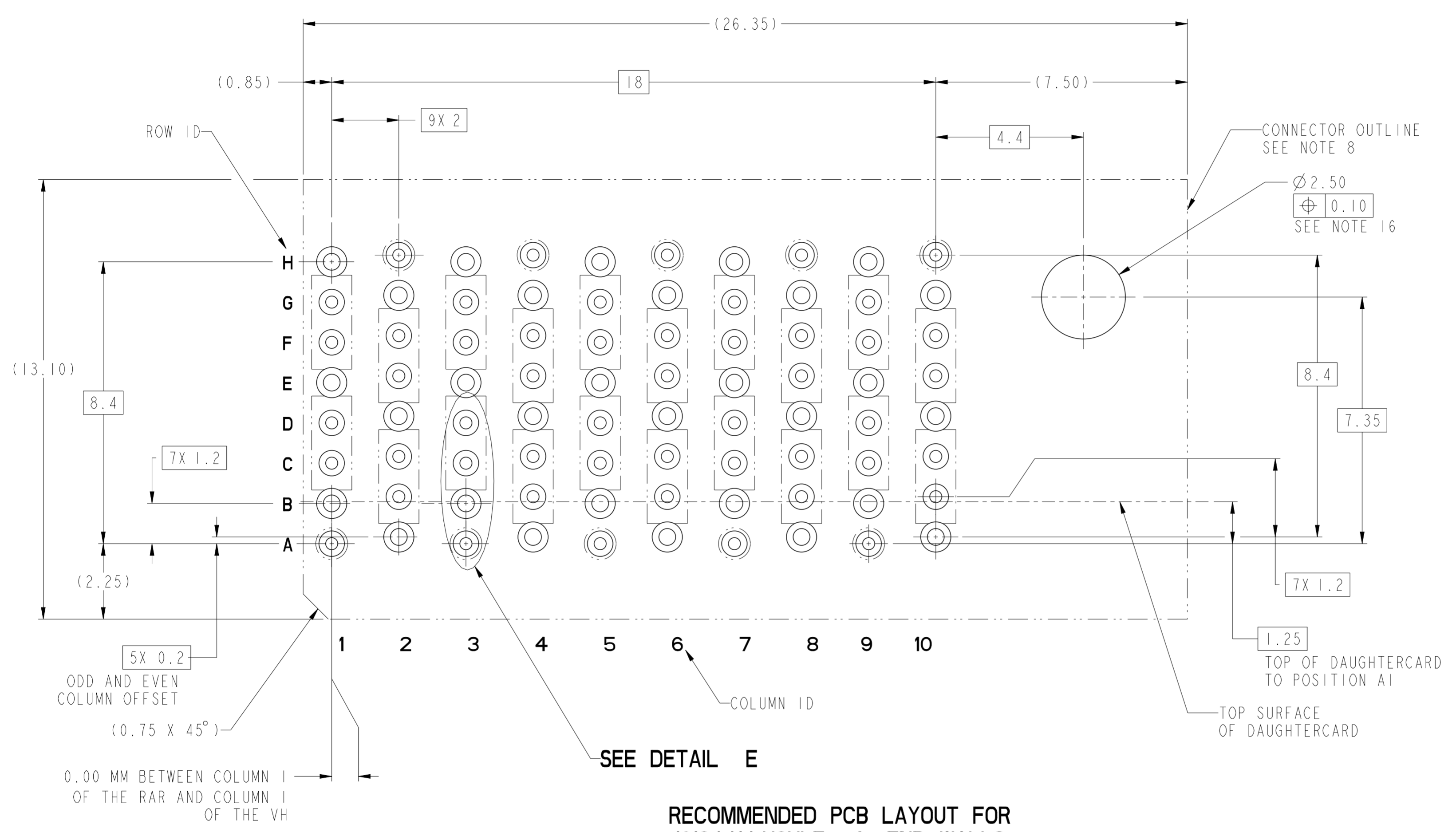
STATUS:Released

Printed: Dec 01, 2017



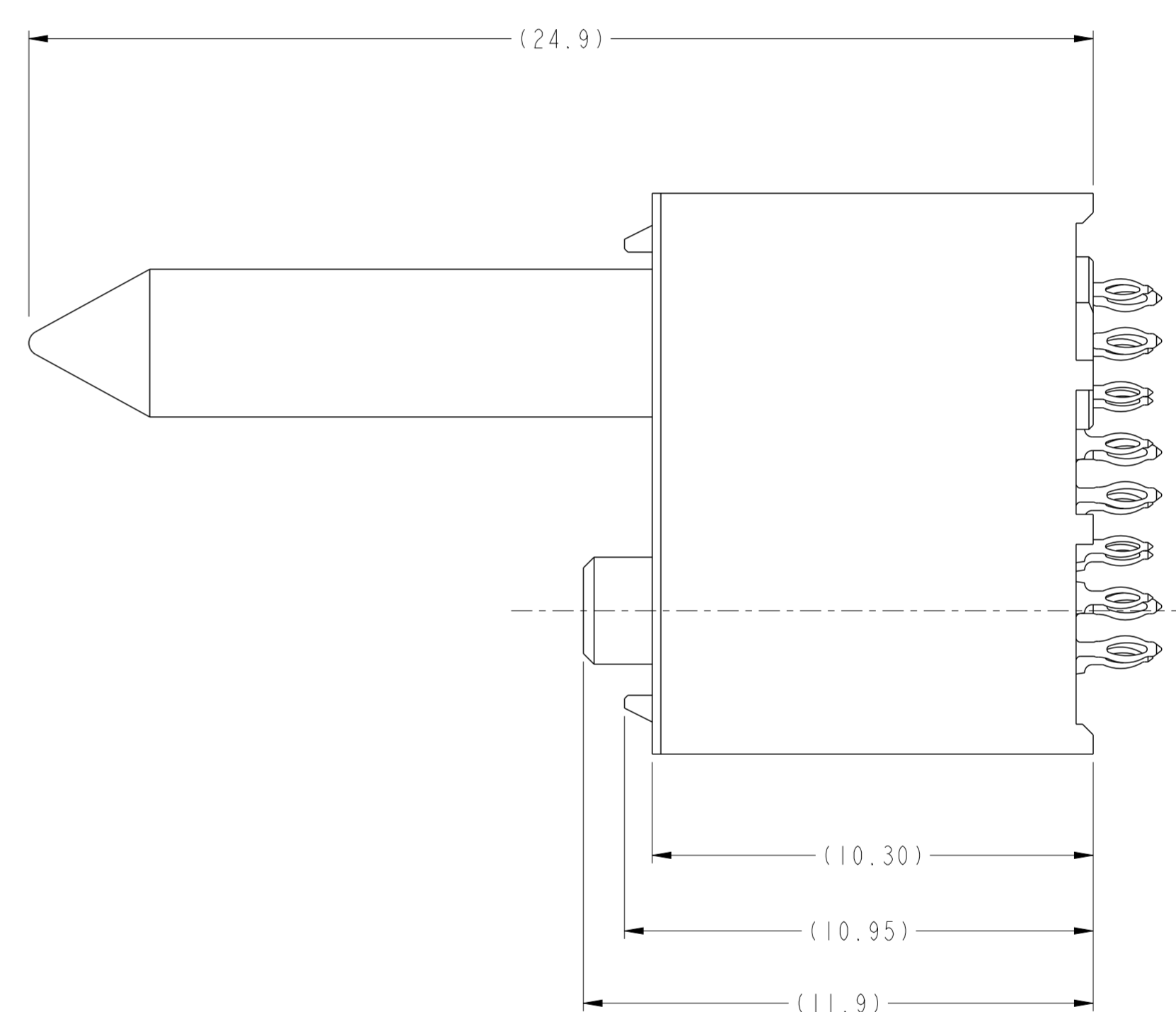
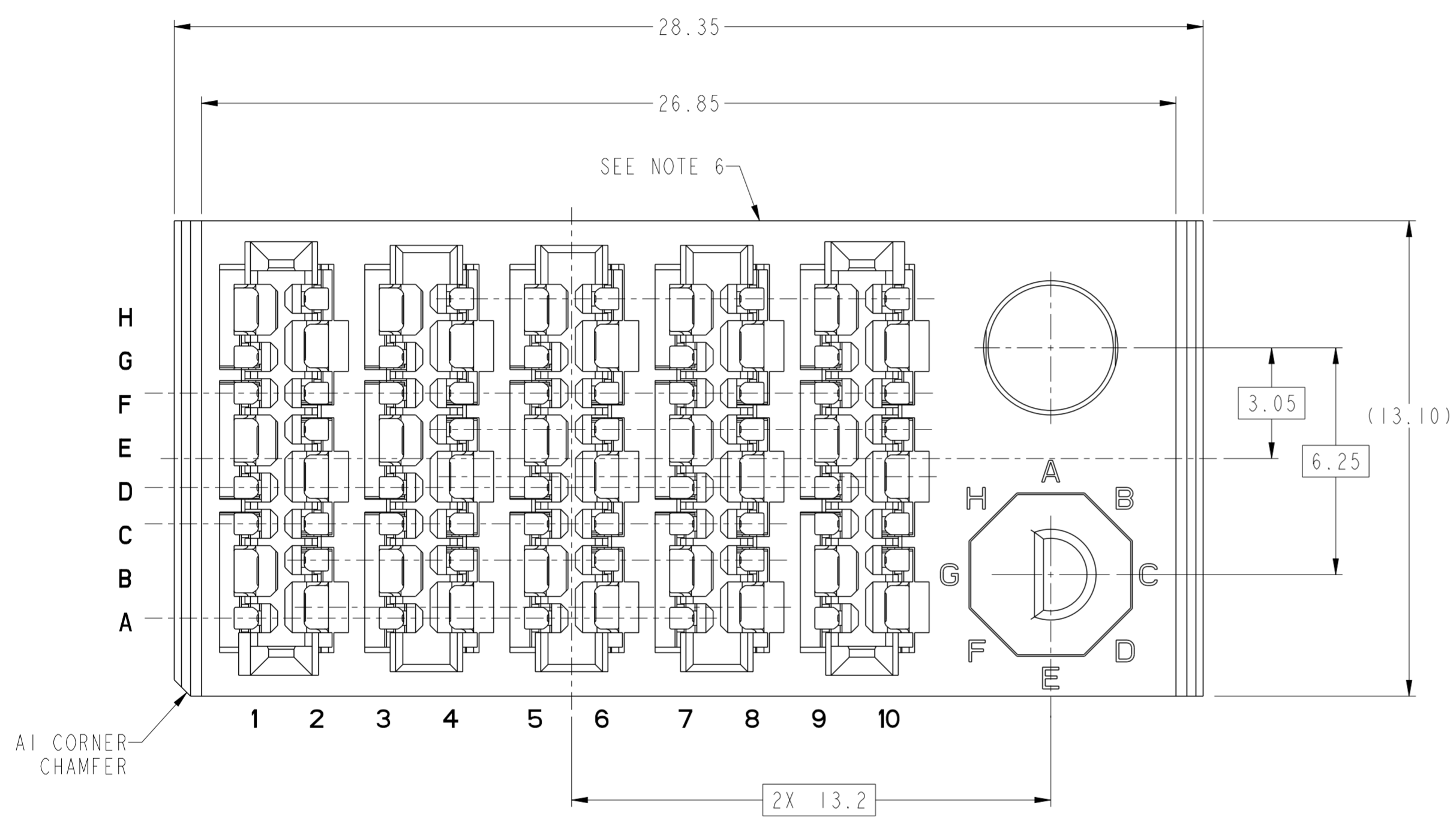
10124414-Y2ALF THRU -Y2JLF
LEFT GUIDANCE CONNECTOR (SEE NOTE 17)
FOR ALL DIMENSIONS SEE SHEET 1

spec ref	---	dr	Daniel Xiao	2014/01/21	projection	MM	size	A2	scale	10:1								
tolerance std	ASME Y14.5M	eng	Peng-Bing Fu	2017/11/07			ecn no	ELX-DG-28204-1										
TOLERANCES UNLESS OTHERWISE SPECIFIED		chr	Justin Chen	2017/11/29			rel level	Released										
		appr	Heaven Cen	2017/11/30			product family	ExaMAX										
surface	<table border="1"> <tr> <td rowspan="3">-</td> <td rowspan="3">linear</td> <td>0.X</td> <td>±.3</td> </tr> <tr> <td>0.XX</td> <td>±.10</td> </tr> <tr> <td>0.XXX</td> <td>±.050</td> </tr> <tr> <td></td> <td>angular</td> <td>0°</td> <td>±2°</td> </tr> </table>	-	linear	0.X	±.3	0.XX	±.10	0.XXX	±.050		angular	0°	±2°		title ExaMAX VERTICAL HEADER ASS'Y, 2 PAIR, 80 POS, 10 IMLA		dwg no 10124414	rev B
-	linear			0.X	±.3													
				0.XX	±.10													
		0.XXX	±.050															
	angular	0°	±2°															
cat. no. SEE TABLE		Product - Customer Drw		sheet 12 of 17														



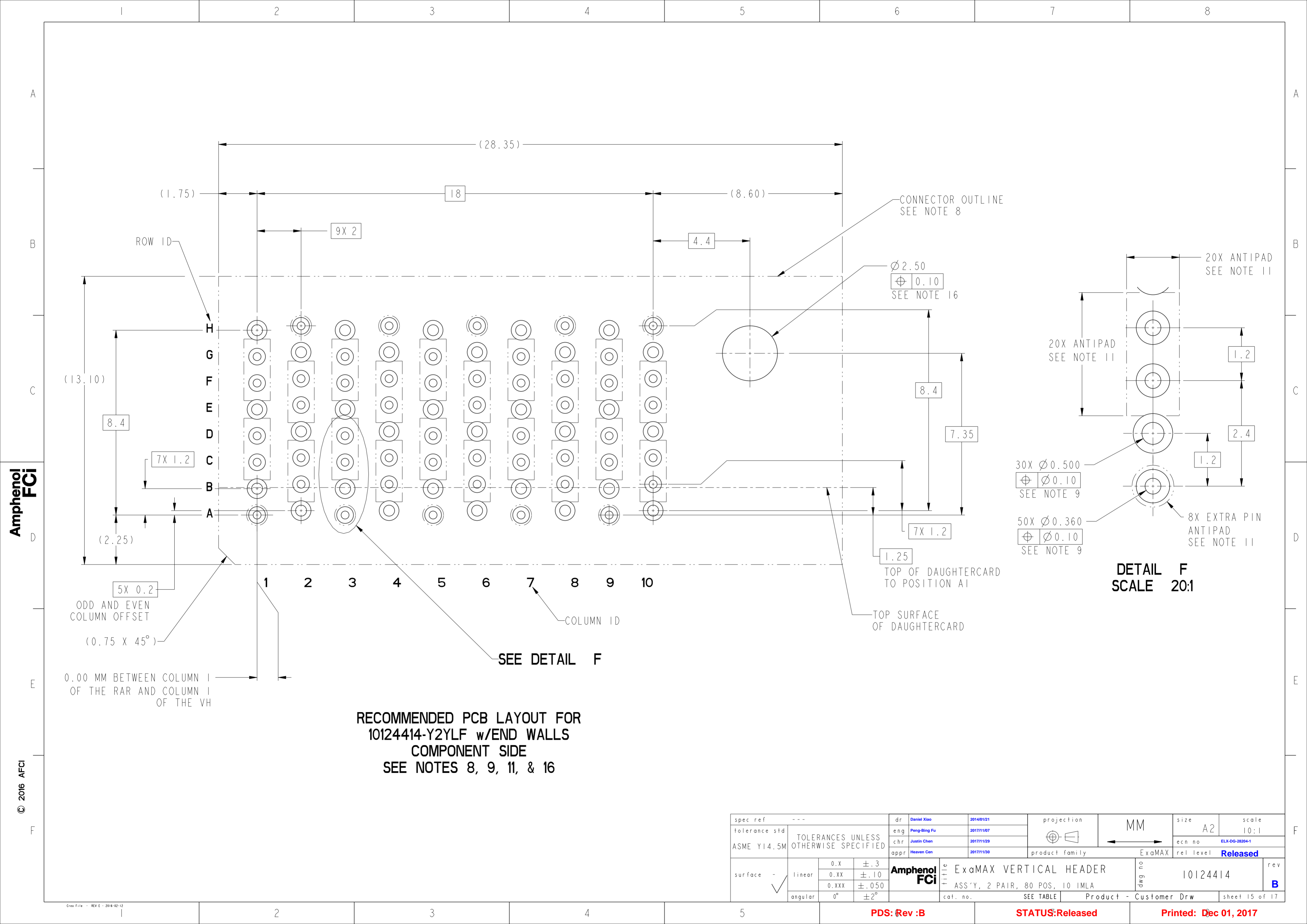
**RECOMMENDED PCB LAYOUT FOR
10124414-Y2YLF w/o END WALLS
COMPONENT SIDE
SEE NOTES 8, 9, 11, & 16**

spec ref	---	dr	Daniel Xiao	2014/01/21	projection	MM	size	A2	scale	10:1	
tolerance std	ASME Y14.5M	eng	Peng-Bing Fu	2017/11/07			ecn no	ELX-DG-28204-1	rel level	Released	
TOLERANCES UNLESS OTHERWISE SPECIFIED		chr	Justin Chen	2017/11/29							
		appr	Heaven Cen	2017/11/30							
surface	-	product family	ExaMAX		product family	ExaMAX	rel level	Released			
	linear	0.X	±.3		title	ExaMAX VERTICAL HEADER		dwg no	10124414	rev	B
		0.XX	±.10		description	ASS'Y, 2 PAIR, 80 POS, 10 IMLA					
		0.XXX	±.050		cat. no.	SEE TABLE	Product - Customer Drw	sheet	13 of 17		
	angular	0°	±2°								



10124414-Y2LLF THRU -Y2WLF
LEFT GUIDANCE CONNECTOR w/END WALLS (SEE NOTE 17)
FOR ALL OTHER DIMENSIONS SEE SHEET 1

spec ref	---	dr	Daniel Xiao	2014/01/21	projection	MM	size	A2	scale	10:1										
tolerance std	ASME Y14.5M	eng	Peng-Bing Fu	2017/11/07			ecn no	ELX-DG-28204-1												
TOLERANCES UNLESS OTHERWISE SPECIFIED		chr	Justin Chen	2017/11/29			rel level	Released												
		appr	Heaven Cen	2017/11/30			product family	ExaMAX												
surface	<table border="1"> <tr> <td rowspan="3">-</td> <td rowspan="3">linear</td> <td>0.X</td> <td>±.3</td> </tr> <tr> <td>0.XX</td> <td>±.10</td> </tr> <tr> <td>0.XXX</td> <td>±.050</td> </tr> <tr> <td></td> <td>angular</td> <td>0°</td> <td>±2°</td> </tr> </table>	-	linear	0.X	±.3	0.XX	±.10	0.XXX	±.050		angular	0°	±2°		Amphenol FCI		title ExaMAX VERTICAL HEADER ASS'Y, 2 PAIR, 80 POS, 10 IMLA		dwg no 10124414	rev B
-	linear			0.X	±.3															
				0.XX	±.10															
		0.XXX	±.050																	
	angular	0°	±2°																	
cat. no.		SEE TABLE	Product - Customer Drw	sheet 14 of 17																



Amphenol
FCi

© 2016 AFci

spec ref	---	dr	Daniel Xiao	2014/01/21	projection	MM	size	A2	scale	10:1
tolerance std	ASME Y14.5M	eng	Peng-Bing Fu	2017/11/07			ecn no	ELX-DG-28204-1	rel level	Released
TOLERANCES UNLESS OTHERWISE SPECIFIED		chr	Justin Chen	2017/11/29						
		appr	Heaven Cen	2017/11/30						
surface	-				product family	ExaMAX	rel level	Released	rev	B
	linear	0.X	±.3	Amphenol FCI	title	ExaMAX VERTICAL HEADER		dwg no	10124414	
		0.XX	±.10		ASS'Y, 2 PAIR, 80 POS, 10 IMLA	cat. no.	SEE TABLE	Product - Customer Drw	sheet 15 of 17	
	angular	0°	±2°							

PDS: Rev :B

STATUS:Released

Printed: Dec 01, 2017

10124414 - Y Y Y L F

ASSEMBLY PART NUMBER	DESCRIPTION
10124414-1YYLF	STANDARD MATE
10124414-2YYLF	ADVANCED MATE
10124414-3YYLF	SHORT DETECT
10124414-4YYLF	ADVANCED MATE & SHORT DETECT

MODULE DESCRIPTION	DESIGNATION REPRESENTED IN DASH NUMBER									BASE MODULE
	1A	1B	1C	1D	1E	1F	1G	1H	1J (NO KEY)	
WITHOUT END WALLS (SEE SHEET 1)	01									
WITH END WALLS (SEE SHEET 6)	02									
RIGHT GUIDANCE MODULE, WITHOUT END WALLS (SEE SHEET 8)	1A	1B	1C	1D	1E	1F	1G	1H	1J (NO KEY)	
RIGHT GUIDANCE MODULE, WITH END WALLS (SEE SHEET 10)	1L	1M	1N	1P	1R	1T	1U	1V	1W (NO KEY)	
LEFT GUIDANCE MODULE, WITHOUT END WALLS (SEE SHEET 12)	2A	2B	2C	2D	2E	2F	2G	2H	2J (NO KEY)	
LEFT GUIDANCE MODULE, WITH END WALLS (SEE SHEET 14)	2L	2M	2N	2P	2R	2T	2U	2V	2W (NO KEY)	

Amphenol FCI

© 2016 AFCI

spec ref	---	dr	Daniel Xiao	2014/01/21	projection	MM	size	A2	scale	5:1
tolerance std	ASME Y14.5M	eng	Peng-Bing Fu	2017/11/07		← →	ecn no	ELX-DG-28204-1		
TOLERANCES UNLESS OTHERWISE SPECIFIED		chr	Justin Chen	2017/11/29			rel level	Released		
surface	✓	appr	Heaven Cen	2017/11/30			product family	ExaMAX		
linear	0.X ±.3 0.XX ±.10 0.XXX ±.050	Amphenol FCI		title	ExaMAX VERTICAL HEADER			dwg no	10124414	
angular	0° ±2°	ASS'Y, 2 PAIR, 80 POS, 10 IMLA		cat. no.	SEE TABLE			Product - Customer Drw	sheet 16 of 17	

PDS: Rev :B

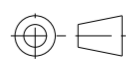
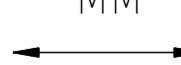

STATUS:Released

Printed: Dec 01, 2017

NOTES:

- ① - CONNECTOR MATERIALS:
HOUSING: HIGH TEMP THERMOPLASTIC, BLACK, UL94-V0
IMLA PLASTIC: HIGH TEMP THERMOPLASTIC, BLACK, UL94-V0
CONTACT: COPPER ALLOY
GUIDE PIN: ZINC ALLOY
POLARIZING PIN: ZINC ALLOY
- 2 - CONTACT PLATING:
SEPARABLE INTERFACE:
PERFORMANCE-BASED PLATING, QUALIFIED TO MEET THE REQUIREMENTS OF FCI PRODUCT SPECIFICATION GS-12-1096 INCLUDING TELCORDIA GR-1217-CORE (NOVEMBER 1995) CENTRAL OFFICE TEST SEQUENCE

PRESS-FIT TAILS: TIN OVER NICKEL (LEAD FREE)
- 3 - PRODUCT SPECIFICATION: GS-12-1096
- 4 - APPLICATION SPECIFICATION GS-20-0361.
- 5 - PACKAGING MEETS GS-14-920 LEAD FREE LABELING SPECIFICATION.
- ⑥ - PRODUCT MARKING, (PROTOTYPE, PART NUMBER & LOT CODE), ON THIS SURFACE.
- ⑦ - THE MINIMUM CENTERLINE SPACING BETWEEN ADJACENT MODULES IS 20.0 mm FOR 10124414-101LF AND 22.0 mm FOR 10124414-102LF.
- ⑧ - CONNECTOR OUTLINE MAY BE SCREEN PRINTED ONTO CUSTOMER PCB TO BE USED AS A GUIDE FOR MANUAL CONNECTOR PLACEMENT.
- ⑨ - REFER TO CUSTOMER DRAWING 10119933 FOR INFORMATION ON PCB HOLE DIAMETERS AND PLATING OPTIONS
- ⑩ - THIS PRODUCT MEETS THE EUROPEAN UNION DIRECTIVES & OTHER COUNTRY REGULATIONS AS DESCRIBED IN GS-47-0004.
- ⑪ - REFER TO ROUTING GUIDE GS-20-0511 FOR RECOMMENDATIONS ON OPTIMIZATION OF FOOTPRINT AND TRACE ROUTING LAYOUT.
- 12 - THE HOUSING WILL WITHSTAND EXPOSURE TO 260° C PEAK TEMPERATURE FOR 10-30 SECONDS IN A CONVECTION, INFRA-RED OR VAPOR PHASE REFLOW OVEN.
- ⑬ - THE ADVANCED MATE HEADER, 10124414-2XXLF, WHEN MATED WITH AN ADVANCED MATE RIGHT ANGLE RECEPTACLE, 10124413-2XXLF, WILL PROVIDE 2 PAIRS OF MATING CONTACTS THAT MATE 0.75MM BEFORE THE REMAINDER OF THE SIGNAL AND GROUND CONTACTS.
- ⑭ - THE SHORT DETECT HEADER, 10124414-3XXLF, WHEN MATED WITH A RIGHT ANGLE RECEPTACLE, 10124413-1XXLF, WILL PROVIDE 1 PAIR OF MATING CONTACTS THAT MATE 1.00 MM AFTER THE REMAINDER OF THE SIGNAL AND GROUND CONTACTS.
- ⑮ - THE ADVANCE MATE/SHORT DETECT HEADER, 10124414-4YYLF, WHEN MATED WITH AN ADVANCED MATE RECEPTACLE, 10124413-2YYLF, WILL PROVIDE 2 PAIRS OF MATING CONTACTS THAT MATE 0.75MM BEFORE THE REMAINDER OF THE SIGNAL AND GROUND CONTACTS AND 1 PAIR OF MATING CONTACTS THAT MATE 1.00MM AFTER THE REMAINDER OF THE SIGNAL AND GROUND CONTACTS.
- ⑯ - FOR CONNECTORS WITH EITHER A RIGHT OR LEFT GUIDE MODULE, A PHILLIPS PAN HEAD M2 X 0.4 HOLD-DOWN SCREW MUST BE USED TO SECURE THE CONNECTOR AND GUIDE PIN TO THE PCB. THE SCREW LENGTH SHALL BE 2.0-6.0 mm PLUS THE THICKNESS OF THE PCB. SCREW IS NOT PROVIDED WITH THE CONNECTOR.
- ⑰ - LEFT / RIGHT INTERGRATED GUIDE ORIENTATION IS DETERMINED BY THE LOCATION OF THE GUIDE FEATURES WHEN LOOKING AT THE MATING FACE OF THE RIGHT ANGLE RECEPTACLE. THE LEFT / RIGHT DESIGNATION OF THE MATING HEADER IS DEFINED BY THE RIGHT ANGLE RECEPTACLE THAT IT MATES WITH (i. e. A RIGHT GUIDE VERTICAL HEADER MATES WITH A RIGHT GUIDE RIGHT ANGLE RECEPTACLE).
- ⑱ - ALL GROUND CONTACTS ARE COMMONED WITHIN A COLUMN.

spec ref	---	dr	Daniel Xiao	2014/01/21	projection	MM	size	A2	scale	2:1												
tolerance std	ASME Y14.5M	eng	Peng-Bing Fu	2017/11/07			ecn no	ELX-DG-28204-1														
TOLERANCES UNLESS OTHERWISE SPECIFIED		chr	Justin Chen	2017/11/29			rel level	Released														
surface	<table border="1"> <tr> <td>linear</td> <td>0.X</td> <td>±.3</td> </tr> <tr> <td></td> <td>0.XX</td> <td>±.10</td> </tr> <tr> <td></td> <td>0.XXX</td> <td>±.050</td> </tr> <tr> <td>angular</td> <td>0°</td> <td>±2°</td> </tr> </table>	linear	0.X	±.3		0.XX	±.10		0.XXX	±.050	angular	0°	±2°	appr	Heaven Cen	2017/11/30	product family	ExaMAX	rel level	Released		
linear	0.X	±.3																				
	0.XX	±.10																				
	0.XXX	±.050																				
angular	0°	±2°																				
				title ExaMAX VERTICAL HEADER ASS'Y, 2 PAIR, 80 POS, 10 IMLA		dwg no 10124414	rev B															
				cat. no.	SEE TABLE	Product - Customer Drw	sheet 17 of 17															