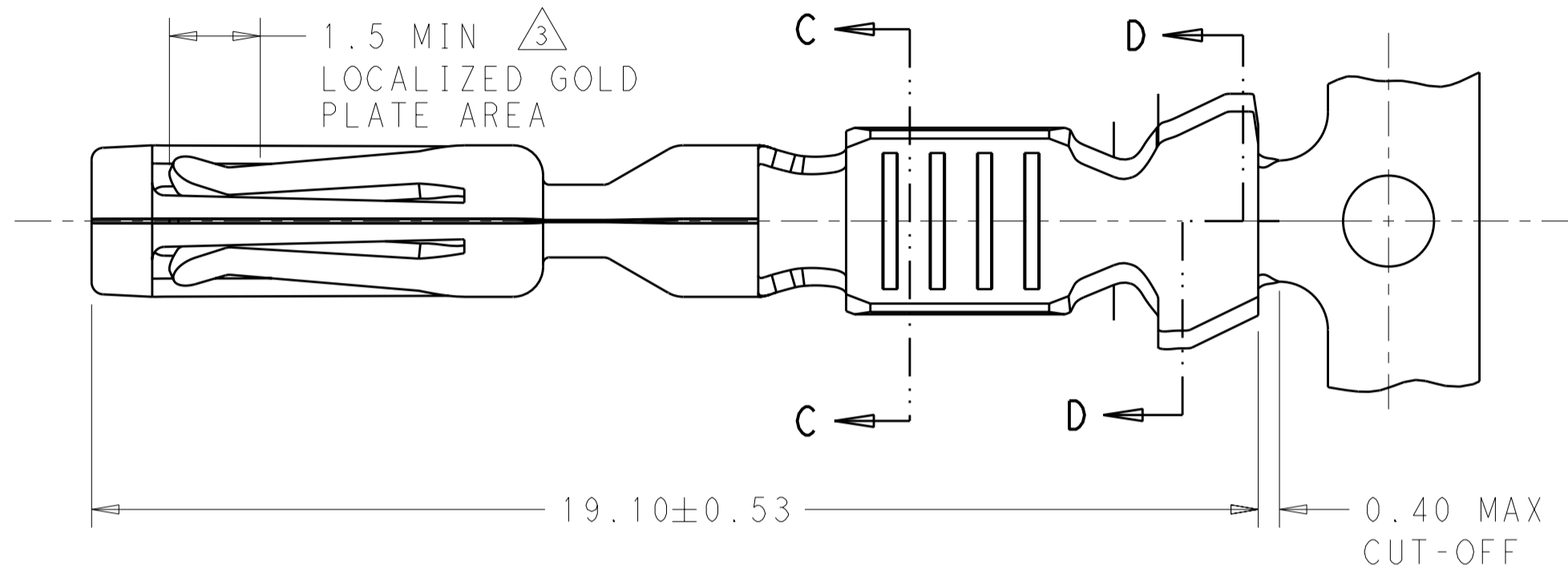
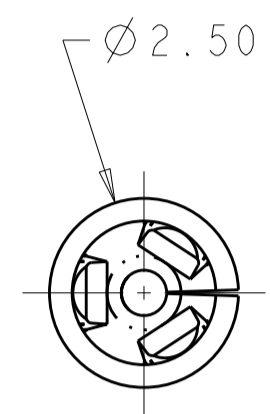


THIS DRAWING IS UNPUBLISHED. RELEASED FOR PUBLICATION 2012
 © COPYRIGHT 2012 BY TE CONNECTIVITY ALL RIGHTS RESERVED.

LOC	DIST	REVISIONS					
CM	00	P	LTR	DESCRIPTION	DATE	DWN	APVD
			D5	REV PER ECO-12-011527	19JUN2012	RGV	DCS



1. WIRE RANGE: 20-16 AWG, 1.5mm².
2. INSULATION RANGE: 1.70-2.70.
3. .00075 MIN GOLD IN THE LOCALIZED GOLD PLATE AREA, .0025 MIN MATTE TIN IN THE LOCALIZED TIN PLATE AREA OVER .00125 MIN NICKEL OVER ENTIRE CONTACT.
4. USED WITH AMPSEAL PLUG ASSEMBLY 776286, 776273, 770680, 776164.

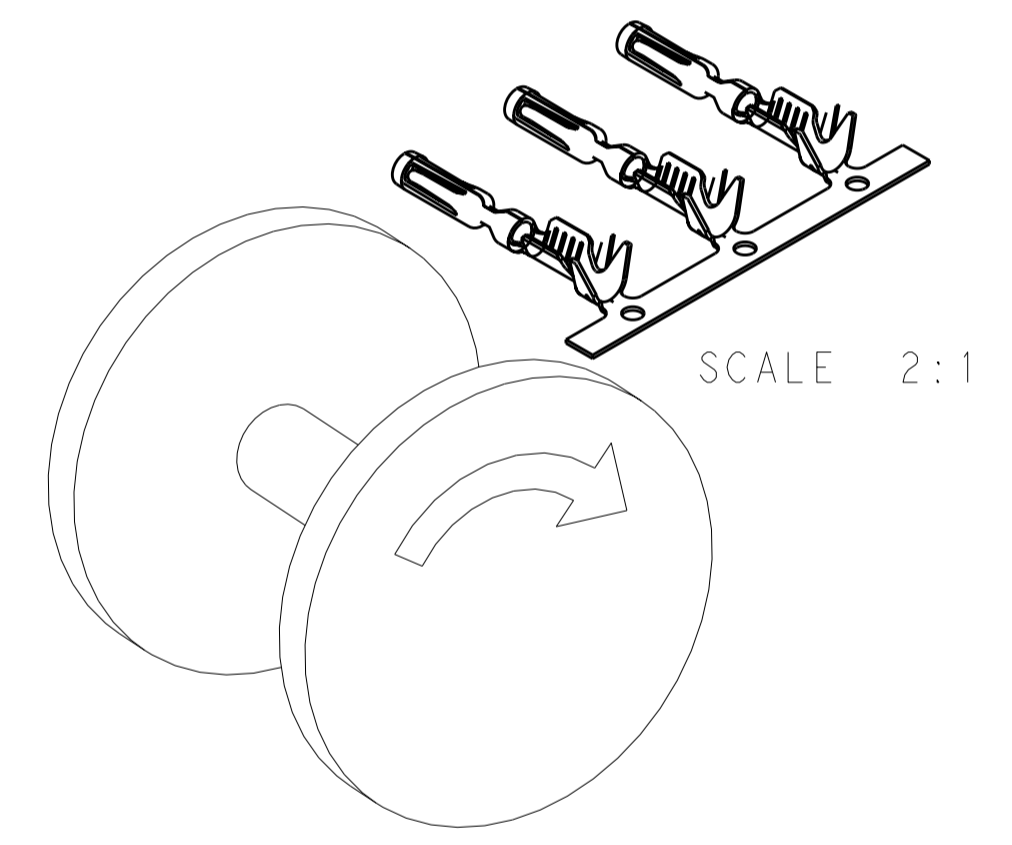
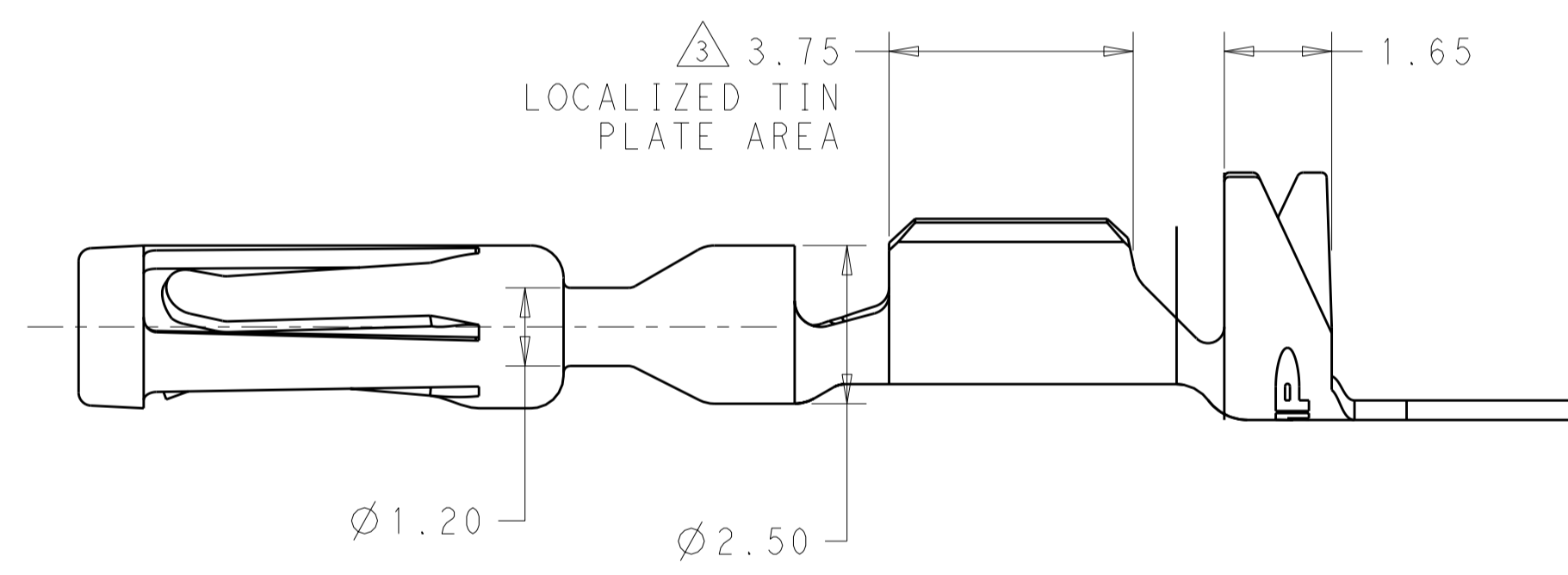
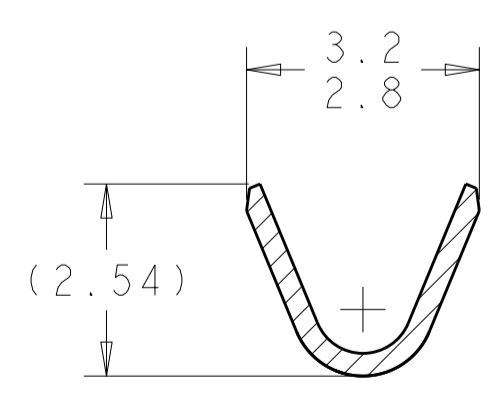
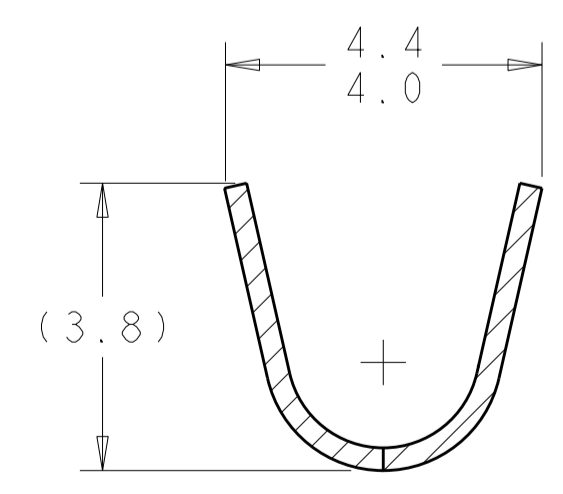


FIGURE 1
FINAL PAYOUT DIRECTION



SECTION C-C
ROTATED 90° CW



SECTION D-D
ROTATED 90° CW

FINISH	MATERIAL	PART NUMBER
GOLD ³	0.38 COPPER ALLOY	770520-3
PRE-TIN	0.38 COPPER ALLOY	770520-1

THIS DRAWING IS A CONTROLLED DOCUMENT.		DWN R. VESTAL 19 JUN 2012	TE Connectivity	
DIMENSIONS: mm		CHK D. STRAUSSER 19 JUN 2012		
TOLERANCES UNLESS OTHERWISE SPECIFIED:		APVD D. STRAUSSER 19 JUN 2012	NAME CONTACT, AMPSEAL	
0 PLC ± 1 PLC ± 2 PLC ±0.15 3 PLC ± 4 PLC ±		PRODUCT SPEC 108-1329	SIZE A200779	
MATERIAL SEE TABLE		APPLICATION SPEC 114-16016	DRAWING NO C-770520	
ANGLES FINISH SEE TABLE		WEIGHT -	RESTRICTED TO -	
CUSTOMER DRAWING		SCALE 10:1	SHEET 1 OF 1 REV D5	