

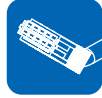
MODEL:

PDU3V51

3-Phase Power Strip for Automatic Transfer Switch Installations



208V
3-Phase Input



8-Position Plug



208V
Single-Phase Output



51 Outlets



8.6kW
12.6kW
Load Capacity

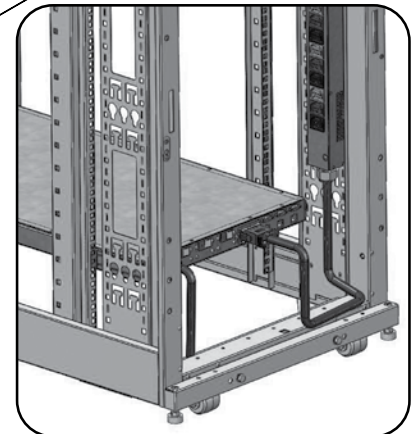
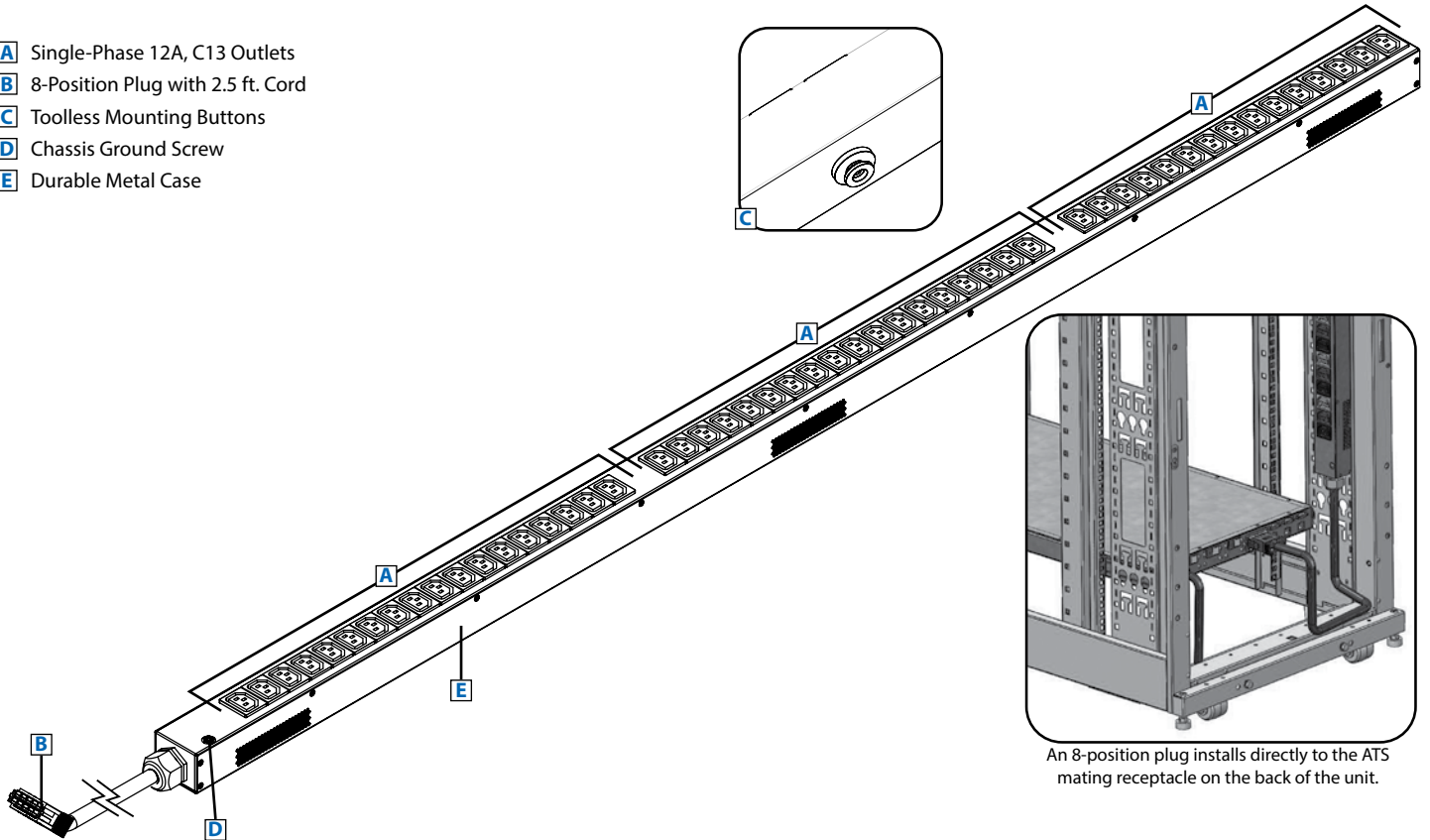
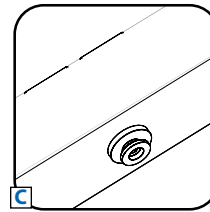


0U
Rack-Mount



Toolless
Mounting Buttons

- A** Single-Phase 12A, C13 Outlets
- B** 8-Position Plug with 2.5 ft. Cord
- C** Toolless Mounting Buttons
- D** Chassis Ground Screw
- E** Durable Metal Case



An 8-position plug installs directly to the ATS mating receptacle on the back of the unit.

Specifications

Model	PDU3V51
Voltage	208V (3-Phase Input/Single-Phase Output)
Frequency	50/60 Hz
Load Capacity	8.6 or 12.6kW (depending on ATS PDU model)
Input Plug	8-Position Plug with 7-Conductor Cord
Input Cord Length	2.5 ft. / 0.8 m
Outlets	(x51) C13
Primary Mounting Options	0U (Vertical) Rack-Mount
Unit Dimensions (H x W x D)	63 x 2.2 x 2.2 in. / 1600 x 56 x 56 mm
Unit Weight	9.1 lb. / 4.1 kg
Standards	Tested to UL 60950-1 (USA), CSA (Canada), NOM (Mexico), FCC Class A (Emissions), ROHS

Tripp Lite has a policy of continuous improvement. Specifications are subject to change without notice.

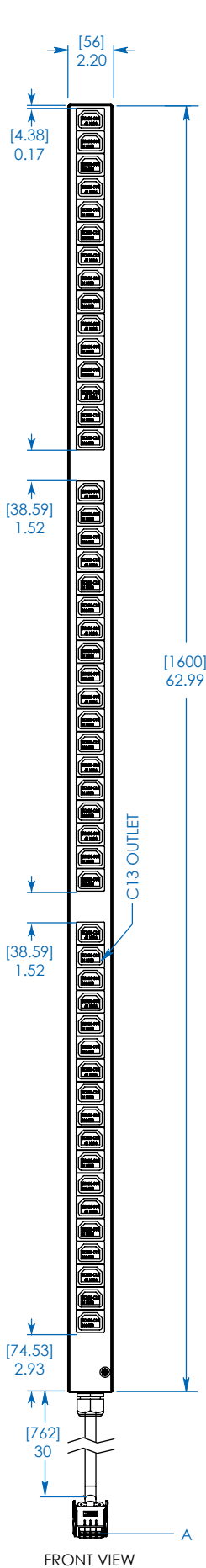


- Vertical power strip distributes power when connected to Tripp Lite ATS PDU models PDU330AT6L21, PDU330AT6L15, PDU330AT6L2130, PDU330AT6L1530 and PDU350AT6H50.
- Supports up to 8.6kW total output with 13.9A maximum per output bank when connected to 208V ATS models with a 24A input rating
- Supports up to 12.6kW total output with 20A maximum per output bank when connected to 208V ATS models with a 35A input rating

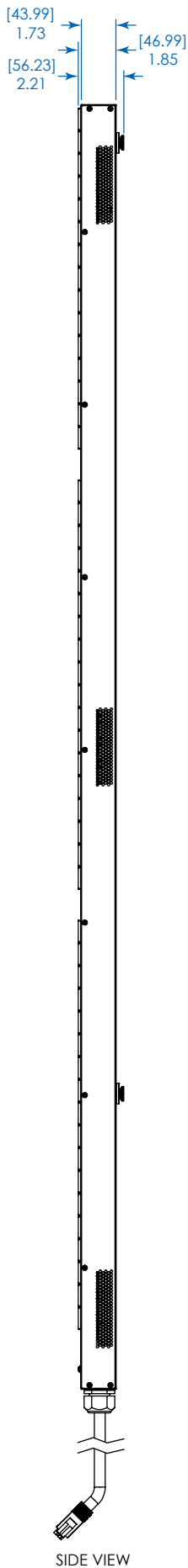
SEE NEXT PAGE FOR DETAILED UNIT MEASUREMENTS



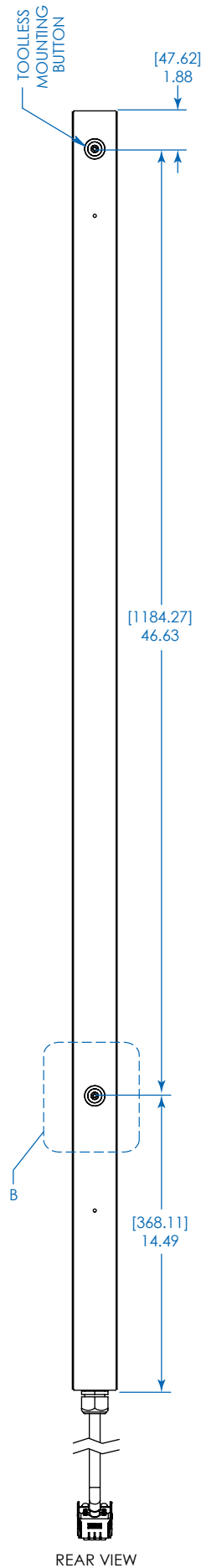
1111 W. 35th Street
Chicago, IL 60609 USA
773.869.1234
www.tripplite.com



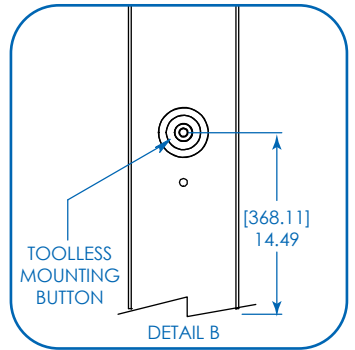
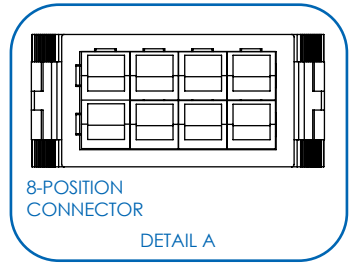
FRONT VIEW



SIDE VIEW



REAR VIEW



Dimensions: [mm] INCHES

Tripp Lite has a policy of continuous improvement. Specifications are subject to change without notice.

MODEL:
PDU3V51
TRIPP-LITE

1111 W. 35th Street
Chicago, IL 60609 USA
773.869.1234
www.triplite.com