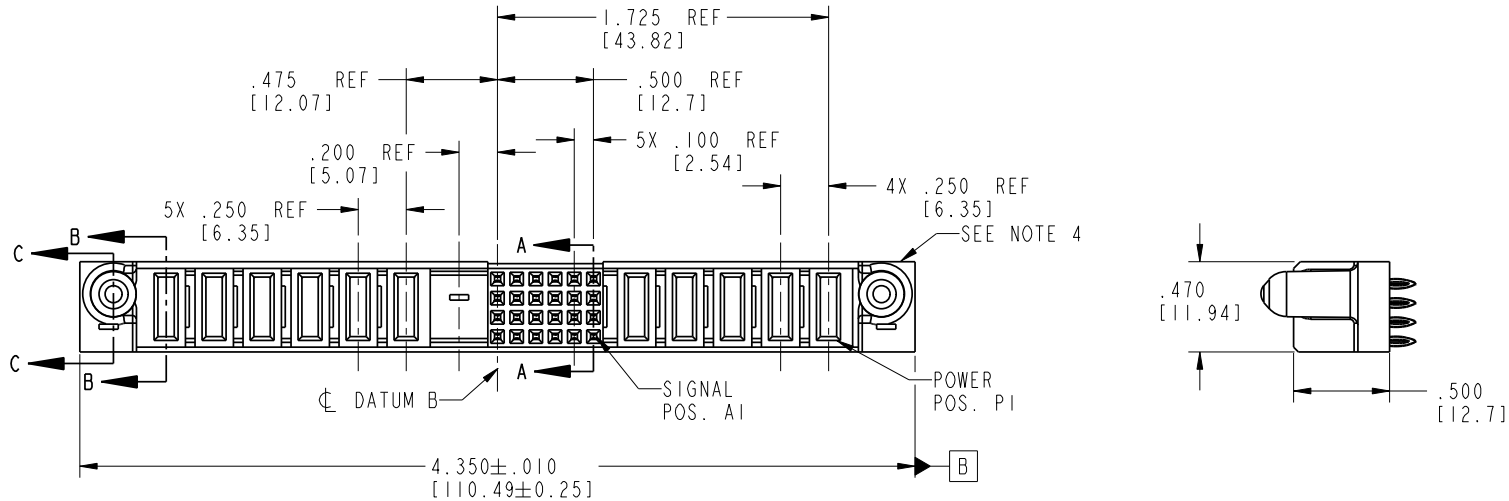


Tous droits strictement réservés. Reproduction ou communication o des liers interdite sous quelque forme que ce soit sans autorisation écrite du propriétaire. Propriete de c FCI. Droits de reproduction FCI.

All rights strictly reserved. Reproduction or issue to third parties in any form whatever is not permitted without written authority from the proprietor. Property of FCI. Copyright FCI.

**FCI**

PRODUCT NO.	ROWS	POWER						HOLD	SIGNAL					POWER					E1	
		E2	P11	P10	P9	P8	P7	P6		6	5	4	3	2	1	P5	P4	P3		P2
51940-054 NOTE: 3	D C B A																			



CODE	DIM "M" MATING LENGTH	CONTACT TYPE
F	N/A [N/A]	SIGNAL
PC	.042 [1.07]	POWER
PF	.092 [2.34]	POWER

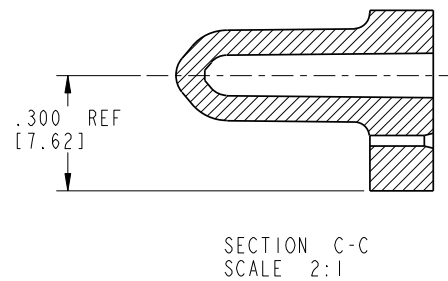
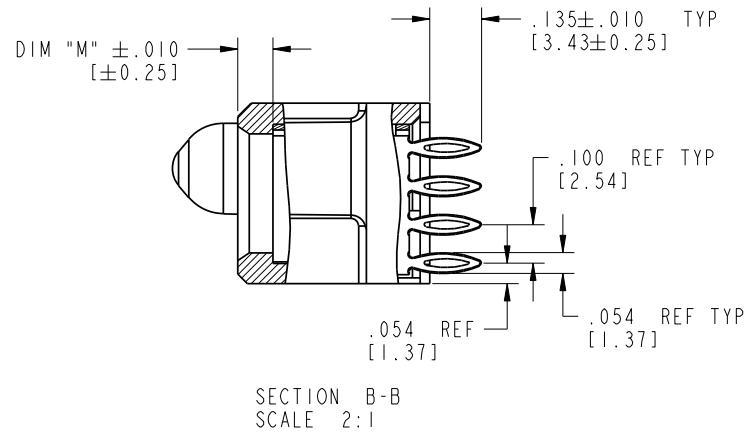
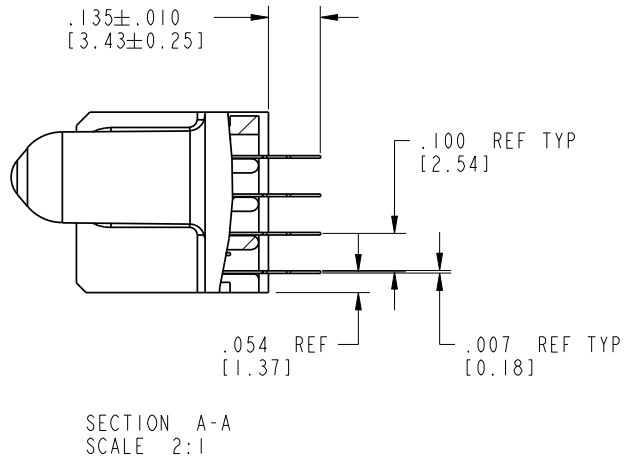
mat'l code				SEE NOTE 2		tolerances unless otherwise specified		CUSTOMER		<b>FCI</b>	
lir	ecn no.	dr	date	linear	.XX±.01/0.X±0.3	COPY		www.fciconnect.com		title	
A	V03-0891	TAB	08/14/03		.XXX±.005/0.XX±0.13	projection		5P + 24S + 1M + 6P		VERTICAL PRESS-FIT RECEPT	
B	DG05-0304	GuoJM	09/27/05	angles	.XXX±.0020/0.XXX±0.051	INCH/MM		product family		code	
				dr	T.BRUNGARD 08/14/03	scale		PwrBlade		213	
				enrg	M. MOSTOLLER 08/14/03	1:1		size		sheet	
				chr	M. MOSTOLLER 08/14/03			A		1 of 4	
				appd	M. MOSTOLLER 08/14/03			51940-054			
sheet index	revision sheet	B	B	B	B						
		1	2	3	4						

Tous droits strictement réservés. Reproduction ou communication a des tiers interdite sous quelque forme que ce soit sans autorisation écrite du propriétaire. Propriété de c FCI. Droits de reproduction FCI.

All rights strictly reserved. Reproduction or issue to third parties in any form whatever is not permitted without written authority from the proprietor. Property of FCI. Copyright FCI.

**FCI**

PRODUCT NUMBER  
51940-054\_\_  
NOTE: 3



mat'l code		SEE NOTE 2		tolerances unless otherwise specified		CUSTOMER		 www.fciconnect.com	
lir	ecn no.	dr	date	linear	.XX±.01/0.X±0.3	projection	title 5P + 24S + 1M + 6P VERTICAL PRESS-FIT RECEPT		
B				angles	.XX±.005/0.XX±0.13 .XXX±.0020/0.XXX±0.051 0°±2°	 INCH/MM	product family	PwrBlade	code
				dr	T. BRUNGARD 08/14/03	scale	size	dwg no	213
				enr	M. MOSTOLLER 08/14/03	1:1	A	51940-054	sheet
				chr	M. MOSTOLLER 08/14/03				2 of 4
				appd	M. MOSTOLLER 08/14/03				
sheet index	revision sheet								

Pro/E

**PDM: Rev: B**

STAT **Released**

Printed: Dec 20, 2010

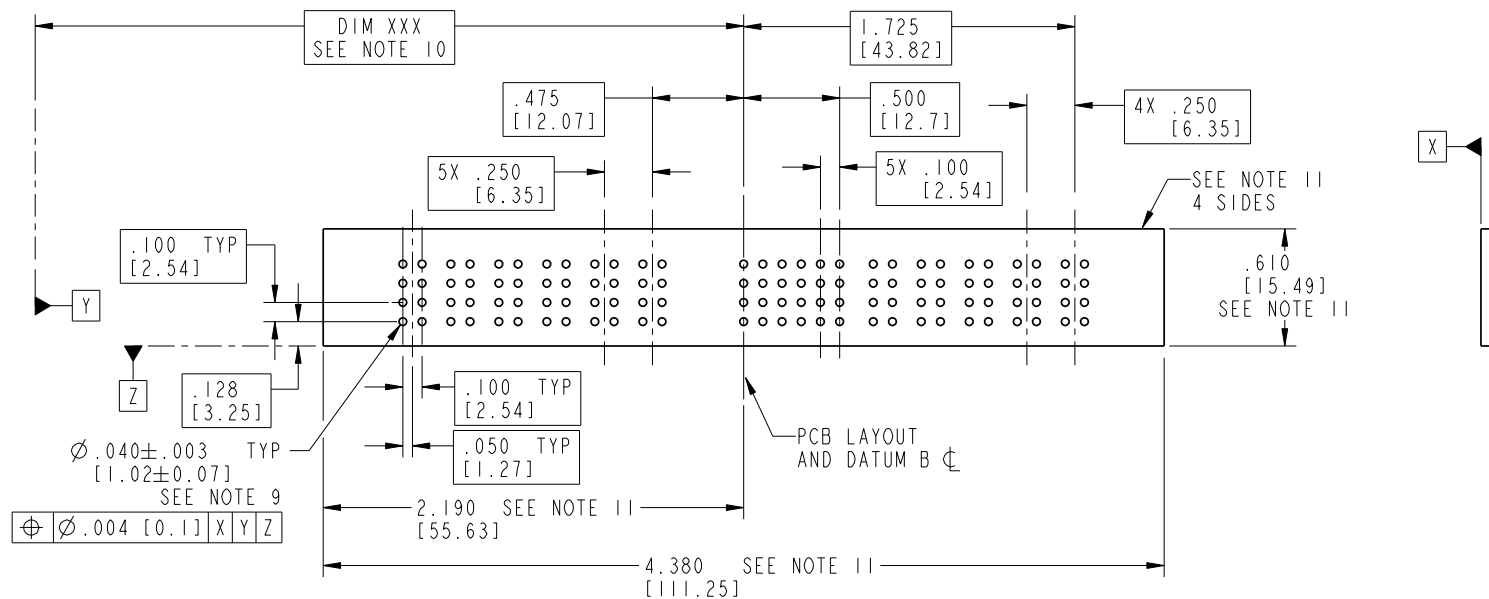
Tous droits strictement réservés. Reproduction ou communication o des tiers interdite sous quelque forme que ce soit sans autorisation écrite du propriétaire. Propriété de c FCI. Droits de reproduction FCI.

**FCI**

All rights strictly reserved. Reproduction or issue to third parties in any form whatever is not permitted without written authority from the proprietor. Property of FCI. Copyright FCI.

**FCI**

PRODUCT NUMBER  
51940-054\_\_  
NOTE: 3



mat'l code		SEE NOTE 2		tolerances unless otherwise specified		CUSTOMER		<b>FCI</b>		www.fciconnect.com	
lir	ecn no.	dr	date	linear	.XX±.01/0.X±0.3	COPY		projection		title 5P + 24S + 1M + 6P	
B					.XXY±.005/0.XX±0.13					VERTICAL PRESS-FIT RECEPT	
				angles	.XXX±.0020/0.XXX±0.051					product family PwrBlade	
				dr	0°±2°	INCH/MM		size		code 213	
				enrg	T. BRUNGARD 08/14/03	scale		dwg no		sheet 3 of 4	
				chr	M. MOSTOLLER 08/14/03	1:1		A 51940-054			
				appd	M. MOSTOLLER 08/14/03						
sheet index	revision sheet										

B

B

1 | 2

Pro/E

**PDM: Rev: B**

STAT **Released**

Printed: Dec 20, 2010

1 | 2

3 |

4

code code 22556

4

PRODUCT NUMBER

51940-054\_\_  
NOTE: 3

NOTES:

1. DIMENSIONS AND TOLERANCES ARE IN ACCORDANCE WITH ASME Y14.5M, 1994 UNLESS OTHERWISE SPECIFIED.

CONNECTOR NOTES:

2 HOUSING MATERIAL: UL 94 V-0 GLASS FILLED HIGH-TEMP THERMOPLASTIC  
POWER CONTACT MATERIAL: COPPER ALLOY  
SIGNAL PIN MATERIAL: COPPER ALLOY

3. PLATING:  
51940-054 Singal Pin:30u"/0.76um Au OVER 50u"/1.27um Ni ON THE CONTACT AREA,  
AND 100u"/2.54um SnPb PLATING OVER 50u"/1.27um Ni ON THE TERMINATION SECTION.  
Power Pin:30u"/0.76um Au OVER 50u"/1.27um Ni ON THE CONTACT AREA,  
AND 100u"/2.54um SnPb PLATING OVER 50u"/1.27um Ni ON THE TERMINATION SECTION.

51940-054LF Singal Pin:30u"/0.76um Au OVER 50u"/1.27um Ni ON THE CONTACT AREA,  
AND 78u"/2.00um Sn PLATING OVER 50u"/1.27um Ni ON THE TERMINATION SECTION.  
Power Pin:30u"/0.76um Au OVER 50u"/1.27um Ni ON THE CONTACT AREA,  
AND 78u"/2.00um Sn PLATING OVER 50u"/1.27um Ni ON THE TERMINATION SECTION.

PART NUMBER 51940-054LF MEETS EUROPEAN UNION DIRECTIVE AND OTHER COUNTRY REGULATIONS AS DESCRIBED IN GS-22-008.

THE HOUSING WILL WITHSTAND EXPOSURE TO 260° PEAK TEMPERATURE FOR 10 SECONDS IN A WAVE SOLDER APPLICATION WITH A CIRCUIT BOARD.

4 MANUFACTURER'S NAME, P/N, AND DATE CODE TO APPEAR ON THIS SURFACE.

5. PRODUCT SPECIFICATION GS-12-149.  
APPLICATION SPECIFICATION BUS-20-067.

6. PACKAGED IN TRAYS.

PCB NOTES:


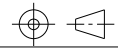

7. ALL HOLE DIAMETERS ARE FINISHED HOLE SIZE.

8 MOUNTING HOLES, WHERE APPLICABLE, ARE UNPLATED.

9  $\varnothing .0453 \pm .0010$  [1.151 $\pm$ 0.025] DRILLED HOLES PLATED WITH .0003 [0.008] MIN SnPb OVER .001 [0.03] TO .003 [0.08] Cu PLATING TO ACHIEVE  $\varnothing .040 \pm .003$  [1.02 $\pm$ .07] HOLE.

10 "DIM XXX" TO BE DETERMINED BY THE CUSTOMER.

11 CONNECTOR KEEP-OUT ZONE.

mat'l code				SEE NOTE 2		tolerances unless otherwise specified		CUSTOMER		 www.fciconnect.com	
lir	ecr no.	dr	date	linear	.XX $\pm$ .01/0.X $\pm$ 0.3		COPY		 title 5P + 24S + 1M + 6P VERTICAL PRESS-FIT RECEPT		
B					.XXX $\pm$ .005/0.XX $\pm$ 0.13		projection				
				angles	.XXXX $\pm$ .0020/0.XXX $\pm$ 0.051		 INCH/MM		product family PwrBlade code 213		
					0° + 2°		scale 1:1		size A 51940-054 sheet 4 of 4		
				dr	T. BRUNGARD	08/14/03					
				enr	M. MOSTOLLER	08/14/03					
				chr	M. MOSTOLLER	08/14/03					
				appd	M. MOSTOLLER	08/14/03					
sheet index	revision sheet										

Tous droits strictement reserves. Reproduction ou communication a des tiers interdite sous quelque forme que ce soit sans autorisation ecrite du proprietaire. Propriete de c FCI. Droits de reproduction FCI.

**A**  
**FCI**

All rights strictly reserved. Reproduction or issue to third parties in any form whatever is not permitted without written authority from the proprietor. Property of FCI. Copyright FCI.

**B**