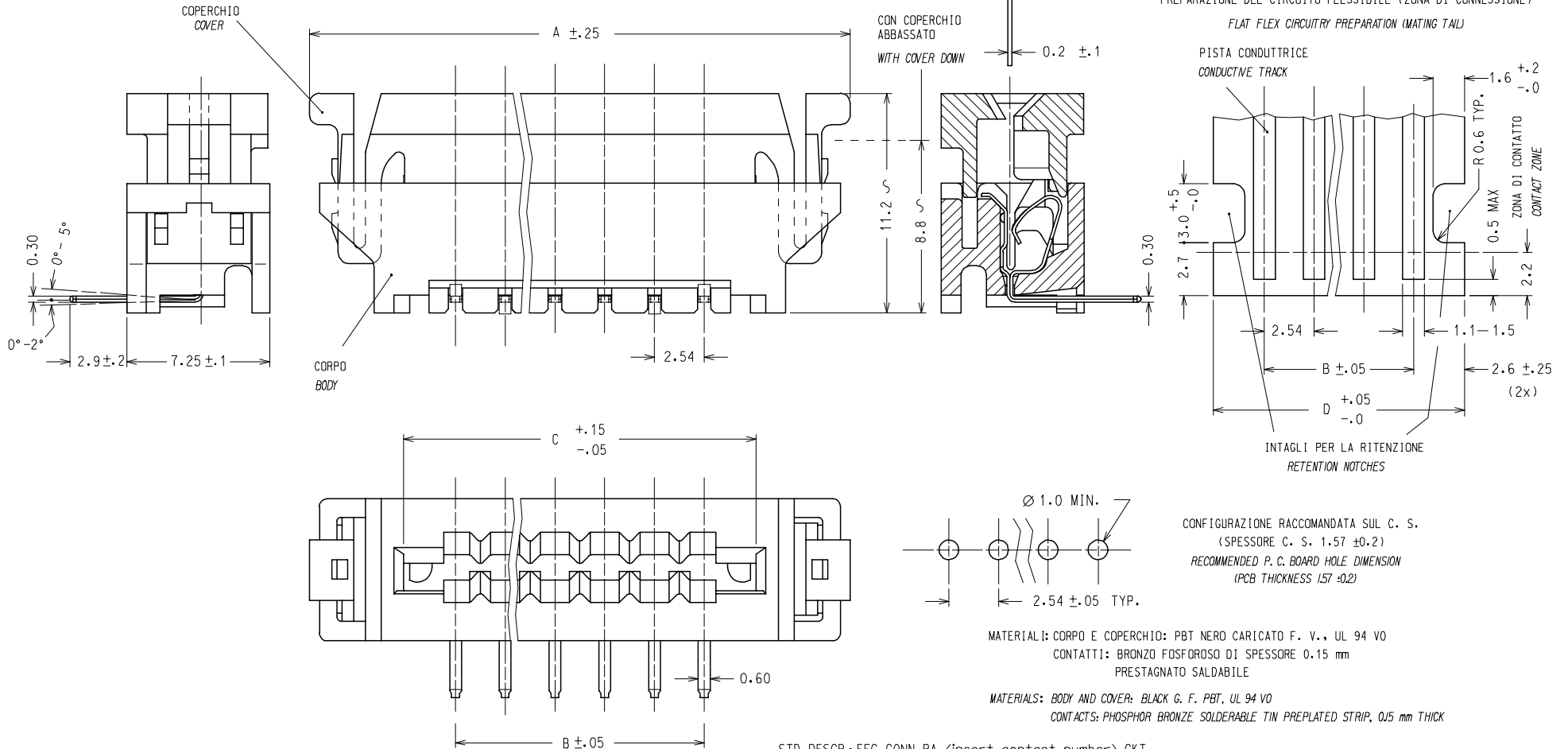


10 9 8 7 6 5 4 3 2 1

COPERCHIO ALZATO: I CONTATTI SONO APERTI PER UN AGEVOLE INSERIMENTO DEL CIRCUITO FLESSIBILE
 COVER UP: CONTACTS ARE OPEN FOR AN EASY INSERTION OF THE FLEX CIRCUITRY
 COPERCHIO ABBASSATO: I CONTATTI SONO PREMUTI CONTRO LE PISTE
 COVER DOWN: CONTACTS ARE CLOSED ON THE TRACKS

CIRCUITO FLESSIBILE (SPESSORE TIPICO)
 FLEX CIRCUITRY (TYPICAL THICKNESS)

PREPARAZIONE DEL CIRCUITO FLESSIBILE (ZONA DI CONNESSIONE)
 FLAT FLEX CIRCUITRY PREPARATION (MATING TAIL)



NOTE: 1) IL PRODOTTO VIENE FORNITO IN TUBI (VEDI FOGLIO 2/2)
 2) CARATTERISTICHE TECNICHE E FUNZIONALI COME DA PS 90500.
 3) LUNGHEZZA MINIMA DI ESPOSIZIONE DELLE PISTE

NOTE: 1) PRODUCT WILL BE SUPPLIED PACKAGED IN A TUBE (SEE SHEET 2/2)
 2) TECHNICAL CHARACTERISTICS AS INDICATED IN PS90500.
 3) MINIMUM EXPOSED LENGTH OF TRACKS

EC NO: Z2005-0177	2005/05/19	QUALITY SYMBOLS
DRWN:SBARBIER	2005/05/20	▽=0
CHKD:RSANDANO	2005/05/20	▽=0
APPR:FBI SELLO	2005/05/20	
REV	DESCRIPTION	
C1		

GENERAL TOLERANCES (UNLESS SPECIFIED)		DIMENSION STYLE MM ONLY	
	mm		INCH
4 PLACES	± ---	± ---	± ---
3 PLACES	± ---	± ---	± ---
2 PLACES	± 0.05	± ---	± ---
1 PLACE	± 0.10	± ---	± ---
ANGULAR ± 2 °			
DRAFT WHERE APPLICABLE MUST REMAIN WITHIN DIMENSIONS			

SCALE 5:1	DESIGN UNITS METRIC	FIRST ANGLE PROJECTION	
DRAWN BY SBARBIERI		DATE 1993/09/09	
CHECKED BY		DATE	
APPROVED BY MPREVIATO		DATE 1993/09/09	
MATERIAL NO.		DOCUMENT NO. SD-90500-006	
SIZE A3		SHEET NO. 1 OF 2	

FFC CONNECTOR RIGHT ANGLE VERSION

MOLEX INCORPORATED

MATERIALI: CORPO E COPERCHIO: PBT NERO CARICATO F. V., UL 94 VO
 CONTATTI: BRONZO FOSFOROSO DI SPESSORE 0.15 mm
 PRESTAGNATO SALDABILE
 MATERIALS: BODY AND COVER: BLACK G. F. PBT, UL 94 VO
 CONTACTS: PHOSPHOR BRONZE SOLDERABLE TIN PREPLATED STRIP, 0.15 mm THICK

STD. DESCR.: FFC CONN RA <insert contact number> CKT

9 8 7 6 5 4 3 2 1

10 9 8 7 6 5 4 3 2 1

N° . DI CODICE PART. NO.	ATTREZZAGGIO TOOLING	N° . VIE CCT NO.	DIM "A"	DIM "B"	DIM "C"	DIM "D"	N° . CONN./TUBO CONN. NO./TUBE	N° . CONN./SCATOLA CONN. NO./BOX (SPQ)
90500-4002	NON ATTREZZATO NOT TOOLED	2						
90500-4003	"	3						
90500-4004	ATTREZZATO TOOLED	4	22.52	7.62	12.92	12.82	24	3456
90500-4005	"	5	25.06	10.16	15.46	15.36	21	3024
90500-4006	"	6	27.60	12.70	18.00	17.90	19	2736
90500-4007	"	7	30.14	15.24	20.54	20.44	17	2448
90500-4008	"	8	32.68	17.78	23.08	22.98	16	2304
90500-4009	"	9	35.22	20.32	25.62	25.52	15	2160
90500-4010	"	10	37.76	22.86	28.16	28.06	14	2016
90500-4011	"	11	40.30	25.40	30.70	30.60	13	1872
90500-4012	"	12	42.84	27.94	33.24	33.14	12	1728
90500-4013	"	13	45.38	30.48	35.78	35.68	11	1584
90500-4014	"	14	47.92	33.02	38.32	38.22	11	1584
90500-4015	"	15	50.46	35.56	40.86	40.76	10	1440
90500-4016	"	16	53.00	38.10	43.40	43.30	10	1440
90500-4017	"	17	55.54	40.64	45.94	45.84	9	1296
90500-4018	"	18	58.08	43.18	48.48	48.38	9	1296
90500-4019	"	19	60.62	45.72	51.02	50.92	8	1152
90500-4020	"	20	63.16	48.26	53.56	53.46	8	1152

EC NO: Z2005-0177 DRWN:SBARBERI 2005/05/19 CHKD:RSANDANO 2005/05/20 APPR:FBISELLO 2005/05/20 REV DESCRIPTION	QUALITY SYMBOLS	GENERAL TOLERANCES (UNLESS SPECIFIED)	DIMENSION STYLE MM ONLY	SCALE 5:1	DESIGN UNITS METRIC	FIRST ANGLE PROJECTION																																
	$\nabla=0$ $\sphericalangle=0$	<table border="1"> <tr><th></th><th>mm</th><th>INCH</th></tr> <tr><td>4 PLACES</td><td>± ---</td><td>± ---</td></tr> <tr><td>3 PLACES</td><td>± ---</td><td>± ---</td></tr> <tr><td>2 PLACES</td><td>± 0.05</td><td>± ---</td></tr> <tr><td>1 PLACE</td><td>± 0.10</td><td>± ---</td></tr> <tr><td colspan="3">ANGULAR ± 2 °</td></tr> </table>		mm	INCH	4 PLACES	± ---	± ---	3 PLACES	± ---	± ---	2 PLACES	± 0.05	± ---	1 PLACE	± 0.10	± ---	ANGULAR ± 2 °			<table border="1"> <tr><th>DRAWN BY</th><th>DATE</th></tr> <tr><td>SBARBERI</td><td>1993/09/09</td></tr> <tr><th>CHECKED BY</th><th>DATE</th></tr> <tr><td></td><td></td></tr> <tr><th>APPROVED BY</th><th>DATE</th></tr> <tr><td>MPREVIATO</td><td>1993/09/09</td></tr> <tr><th>MATERIAL NO.</th><td></td></tr> </table>	DRAWN BY	DATE	SBARBERI	1993/09/09	CHECKED BY	DATE			APPROVED BY	DATE	MPREVIATO	1993/09/09	MATERIAL NO.		TITLE		
		mm	INCH																																			
	4 PLACES	± ---	± ---																																			
3 PLACES	± ---	± ---																																				
2 PLACES	± 0.05	± ---																																				
1 PLACE	± 0.10	± ---																																				
ANGULAR ± 2 °																																						
DRAWN BY	DATE																																					
SBARBERI	1993/09/09																																					
CHECKED BY	DATE																																					
APPROVED BY	DATE																																					
MPREVIATO	1993/09/09																																					
MATERIAL NO.																																						
	DRAFT WHERE APPLICABLE MUST REMAIN WITHIN DIMENSIONS	SEE TABLE		FFC CONNECTOR RIGHT ANGLE VERSION	MOLEX INCORPORATED																																	
C1			SIZE A3	DOCUMENT NO. SD-90500-006	SHEET NO. 2 OF 2																																	

9 8 7 6 5 4 3 2 1