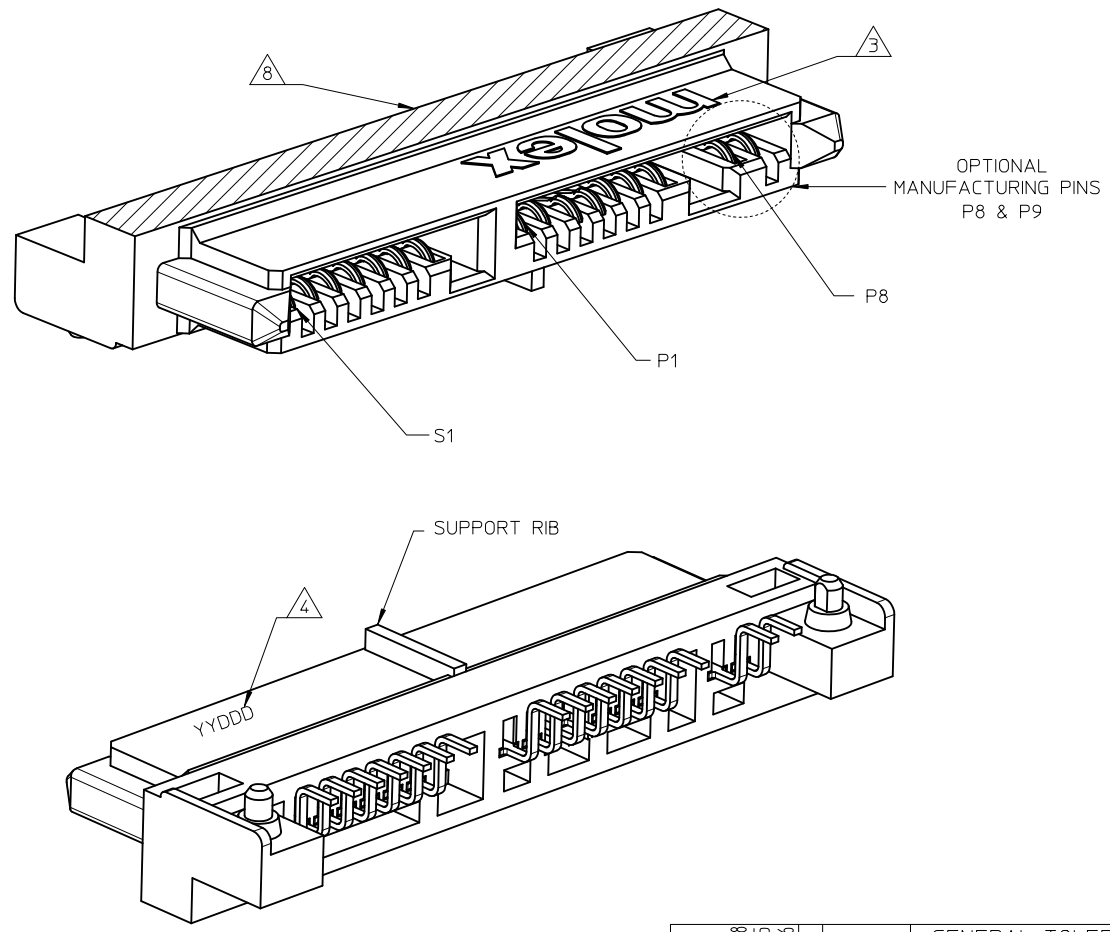


5	4	3	2	1
PART NUMBER	TOTAL PINS	DESCRIPTION		
78320-0002	16	WITH OPTIONAL MANUFACTURING PINS (S1 TO S7 & P1 TO P9)		
78320-1002	14	WITHOUT OPTIONAL MANUFACTURING PINS (S1 TO S7 & P1 TO P7)		

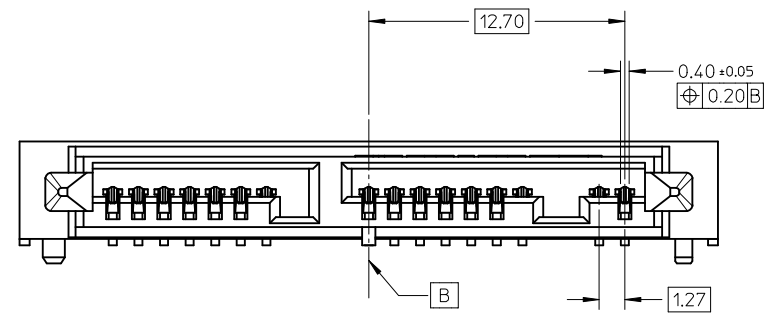
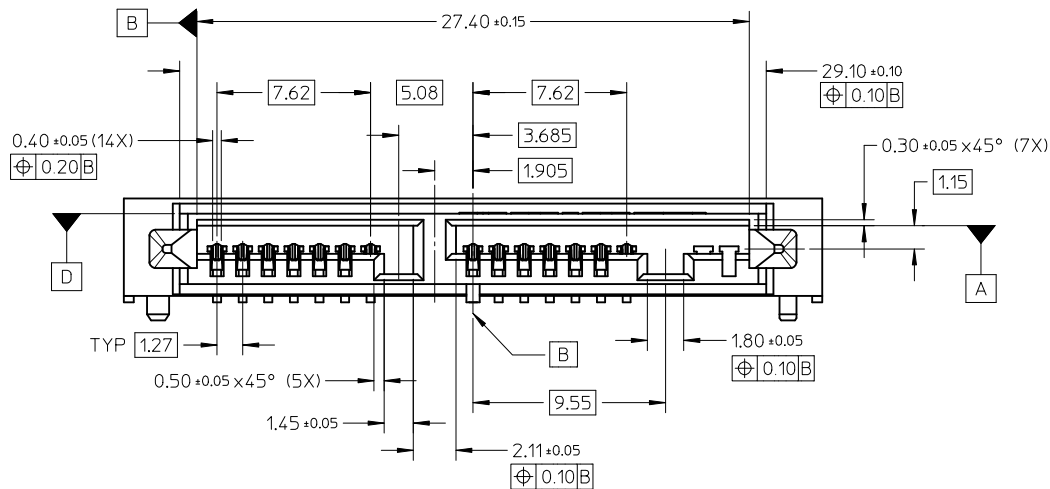
NOTES:

- MATERIAL : NYLON (PA) 9T, GLASS FILLED, UL 94V-0, BLACK
TERMINAL : COPPER ALLOY
- PLATING :
TERMINAL : 0.76µm MIN. SELECTIVE GOLD OVER
1.27µm MIN. NICKEL UNDERPLATE
2.54µm MIN. TIN OVER
1.27µm MIN. NICKEL UNDERPLATE
- MOLEX LOGO LOCATED APPROXIMATELY AS SHOWN
- DATE CODE LOCATED APPROXIMATELY AS SHOWN
- PACKAGING : TAPE AND REEL
- THIS PRODUCT IS COMPLIANT TO RoHS DIRECTIVE WITH THE FOLLOWING BANNED SUBSTANCES - LEAD, MERCURY, CADMIUM, HEXAVALENT CHROMIUM, POLYBROMINATED BIPHENYLS AND POLYBROMINATED DIPHENYLS ETHERS.
- NON FUNCTIONAL CORING MAY VARY.
- PROPOSED PICK & PLACE SURFACE.
- PRODUCT SPECIFICATION: PS-78320-002

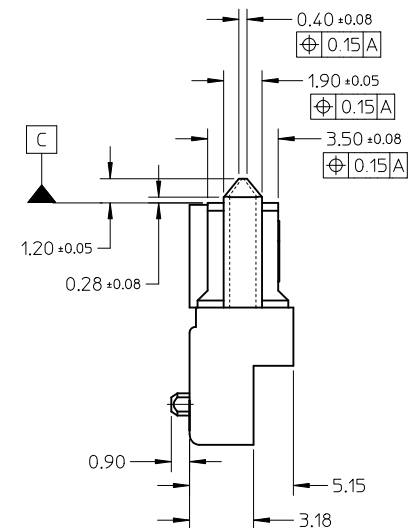
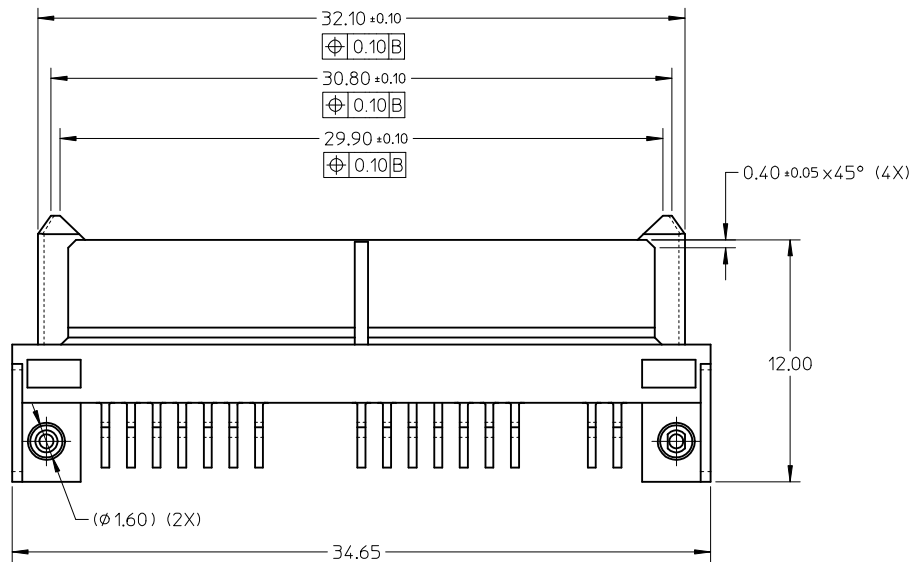


SEE SHEET 5 EC NO: S2010-1046 DRWN:GMENARLY 2010/06/28 CHKD:SCHEONG 2010/07/05 APPR:BOKOK 2010/07/06	QUALITY SYMBOLS	GENERAL TOLERANCES (UNLESS SPECIFIED)		DIMENSION STYLE MM ONLY		SCALE NTS	DESIGN UNITS METRIC	THIRD ANGLE PROJECTION	
	▽ _A =0	mm	INCH	DRAWN BY	DATE	TITLE			
	▽ _B =0	4 PLACES ± ---	± ---	GMENARLY	2007/10/08	SERIAL ATA RECEPTACLE			
	▽ _C =0	3 PLACES ± ---	± ---	CHECKED BY	DATE	1.8 INCH HDD/SSD			
	▽ _D =0	2 PLACES ± 0.20	± ---	YKOH	2007/11/21	R/A, SMT, 3.80MM HEIGHT			
	1 PLACE ± ---	± ---	APPROVED BY	DATE	MOLEX INCORPORATED				
			ANGULAR ± 3 °		BOKOK	2010/01/26	DOCUMENT NO. SD-78320-002		
			DRAFT WHERE APPLICABLE MUST REMAIN WITHIN DIMENSIONS		SEE TABLE		SHEET NO. 1 OF 5		
					THIS DRAWING CONTAINS INFORMATION THAT IS PROPRIETARY TO MOLEX INCORPORATED AND SHOULD NOT BE USED WITHOUT WRITTEN PERMISSION				

10 9 8 7 6 5 4 3 2 1

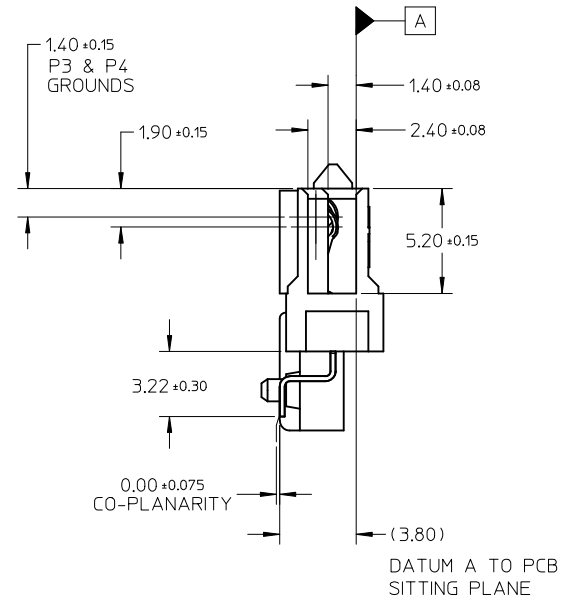
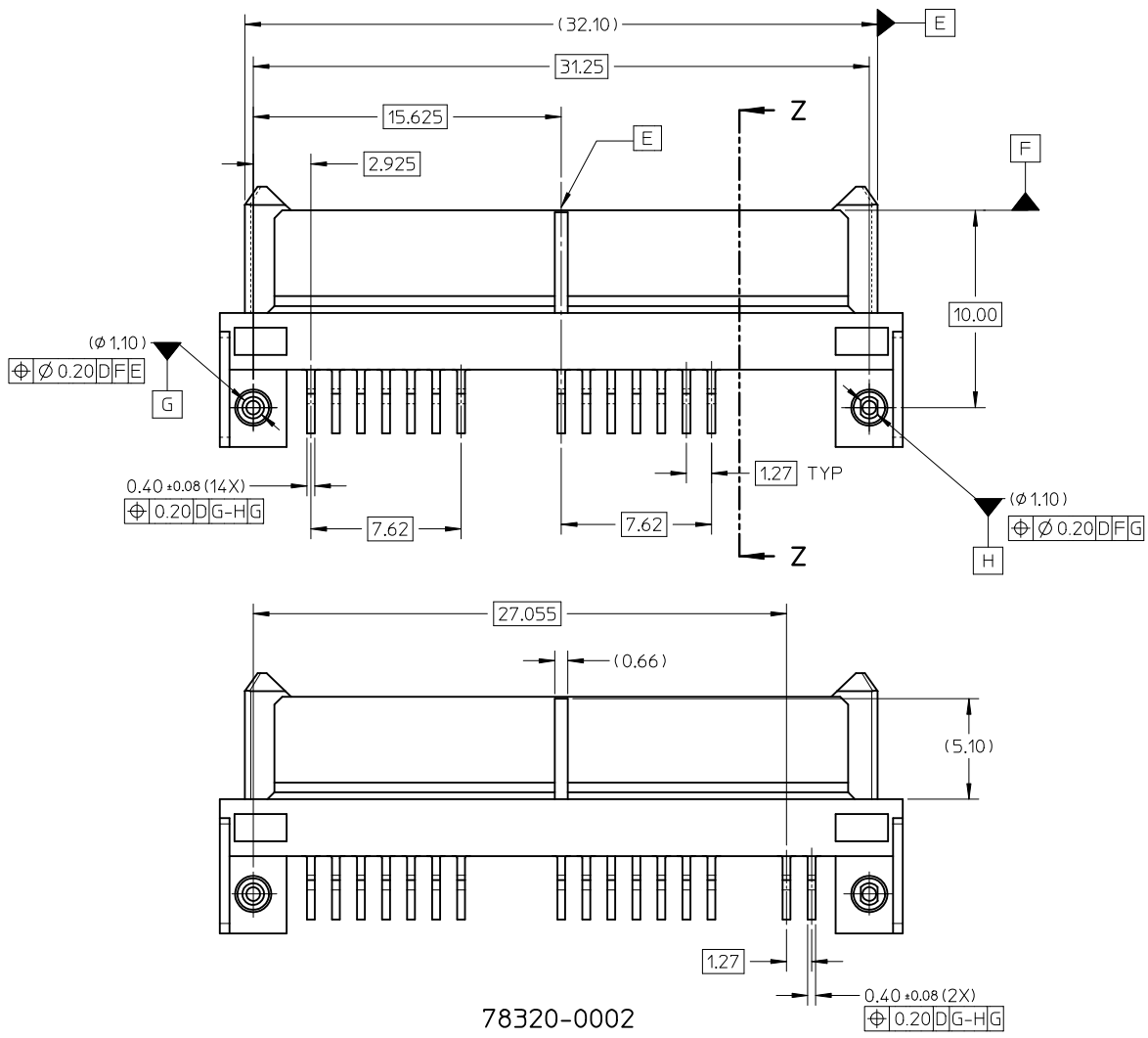


78320-0002



SEE SHEET 5 EC NO: S2010-1046 DRWN:GMENARLY 2010/06/28 CHKD:SCHEONG 2010/07/05 APPR:BOKKOK 2010/07/06	QUALITY SYMBOLS	GENERAL TOLERANCES (UNLESS SPECIFIED)		DIMENSION STYLE		SCALE	DESIGN UNITS	THIRD ANGLE PROJECTION	
	$\nabla_A = 0$ $\nabla_C = 0$ $\nabla_P = 0$	mm	INCH	MM ONLY		NTS	METRIC		
		4 PLACES	± ---	± ---	DRAWN BY	DATE	TITLE		
		3 PLACES	± ---	± ---	CHECKED BY	DATE	SERIAL ATA RECEPTACLE		
	2 PLACES	± 0.20	± ---	YKOH	2007/11/21	1.8 INCH HDD/SSD			
	1 PLACE	± ---	± ---	APPROVED BY	DATE	R/A, SMT, 3.80MM HEIGHT			
		ANGULAR ± 3 °		BOKKOK	2010/01/26	MOLEX INCORPORATED			
		DRAFT WHERE APPLICABLE MUST REMAIN WITHIN DIMENSIONS		MATERIAL NO.	SEE TABLE	DOCUMENT NO.	SD-78320-002		
				SIZE	A3	THIS DRAWING CONTAINS INFORMATION THAT IS PROPRIETARY TO MOLEX INCORPORATED AND SHOULD NOT BE USED WITHOUT WRITTEN PERMISSION			
								SHEET NO.	2 OF 5

9 8 7 6 5 4 3 2 1

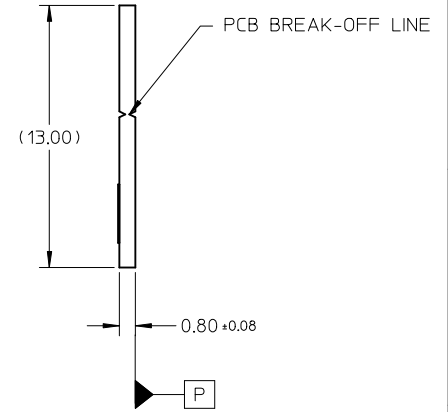
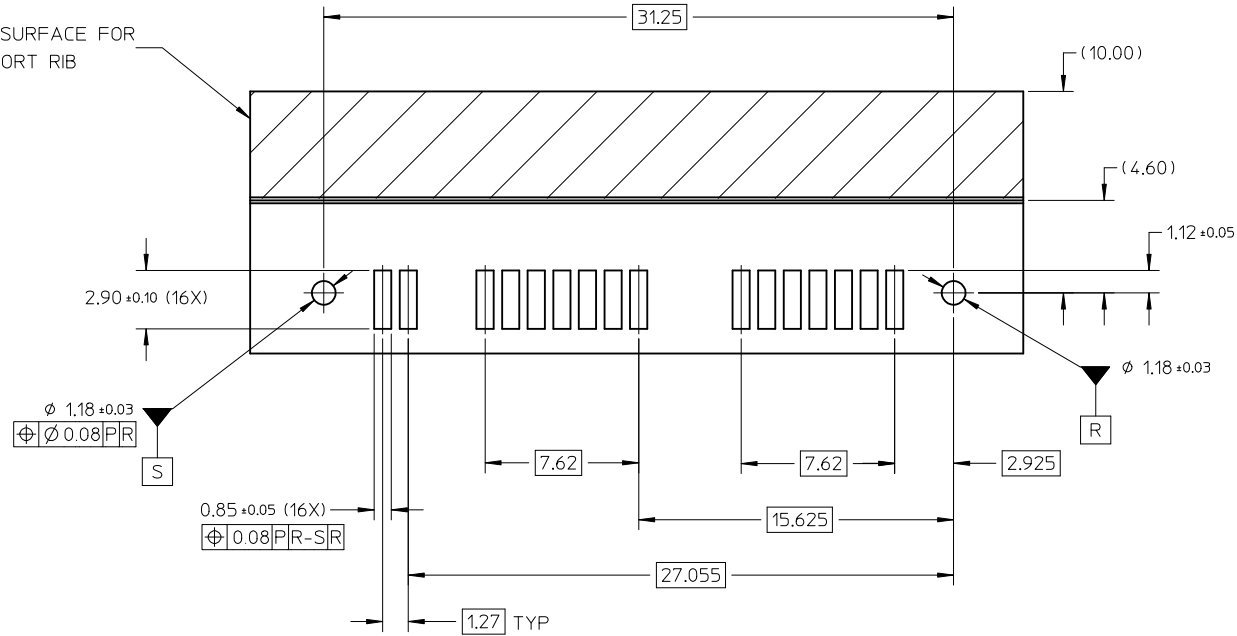


SECTION Z-Z

78320-0002

SEE SHEET 5 EC NO: S2010-1046 DRAWN: GMENARLY 2010/06/28 CHYKDSICHEONG 2010/07/05 APPR: BOKOK 2010/07/06	QUALITY SYMBOLS $F_A=0$ $F_G=0$ $F_P=0$	GENERAL TOLERANCES (UNLESS SPECIFIED)		DIMENSION STYLE MM ONLY		SCALE NTS	DESIGN UNITS METRIC	THIRD ANGLE PROJECTION		
			mm	INCH	DRAWN BY GMENARLY	DATE 2007/10/08	TITLE SERIAL ATA RECEPTACLE 1.8 INCH HDD/SSD R/A, SMT, 3.80MM HEIGHT			
		4 PLACES	± ---	± ---	CHECKED BY YKOH	DATE 2007/11/21	MOLEX INCORPORATED			
		3 PLACES	± ---	± ---	APPROVED BY BOKOK	DATE 2010/01/26	DOCUMENT NO. SD-78320-002		SHEET NO. 3 OF 5	
	2 PLACES	± 0.20	± ---	MATERIAL NO. SEE TABLE		THIS DRAWING CONTAINS INFORMATION THAT IS PROPRIETARY TO MOLEX INCORPORATED AND SHOULD NOT BE USED WITHOUT WRITTEN PERMISSION				
	1 PLACE	± ---	± ---	DRAFT WHERE APPLICABLE MUST REMAIN WITHIN DIMENSIONS						
	ANGULAR ± 3 °									

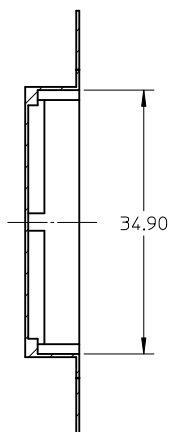
RESTING SURFACE FOR SUPPORT RIB



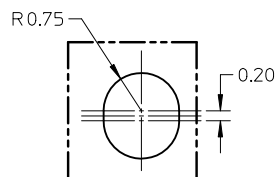
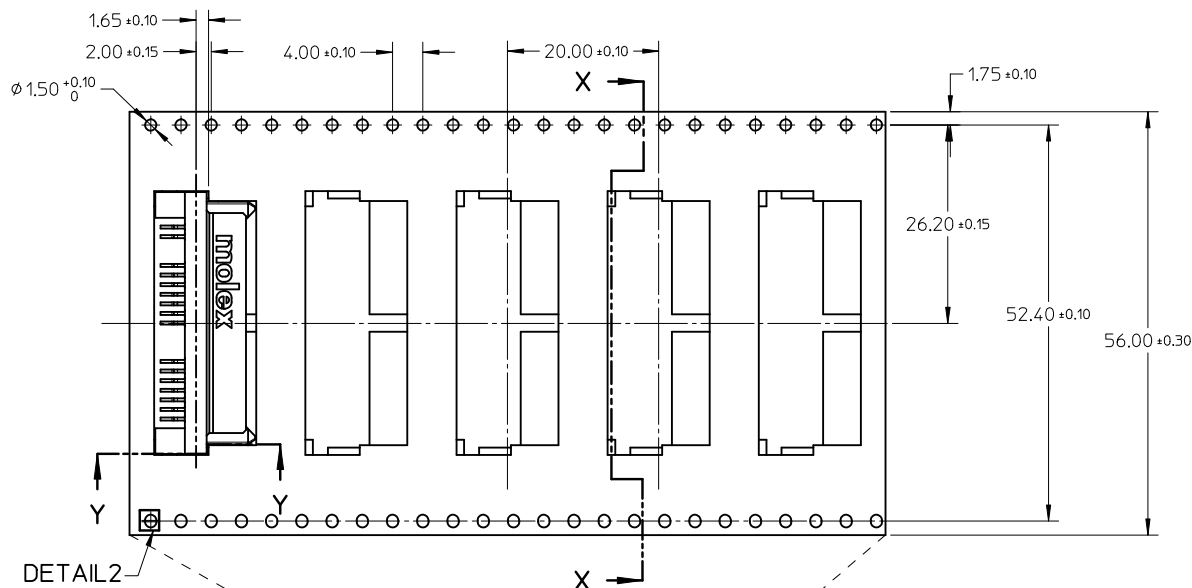
RECOMMENDED PCB LAYOUT

SEE SHEET 5 EC NO: S2010-1046 DRWN:GMENARLY 2010/06/28 CHKD:SCHEONG 2010/07/05 APPR:BOKOK 2010/07/06	QUALITY SYMBOLS	GENERAL TOLERANCES (UNLESS SPECIFIED)	DIMENSION STYLE	SCALE	DESIGN UNITS	THIRD ANGLE PROJECTION
	$F_A=0$ $F_C=0$ $F_P=0$	mm INCH 4 PLACES ± --- ± --- 3 PLACES ± --- ± --- 2 PLACES ± 0.20 ± --- 1 PLACE ± --- ± --- ANGULAR ± 3 °	MM ONLY	NTS	METRIC	
	DESCRIPTION	DRAFT WHERE APPLICABLE MUST REMAIN WITHIN DIMENSIONS	DRAWN BY	DATE	TITLE	
	REV		GMENARLY	2007/10/08	SERIAL ATA RECEPTACLE 1.8 INCH HDD/SSD R/A, SMT, 3.80MM HEIGHT	
A3			CHECKED BY	DATE	MOLEX INCORPORATED	
			YKOH	2007/11/21	MOLEX INCORPORATED	
			APPROVED BY	DATE	DOCUMENT NO.	
			BOKOK	2010/01/26	SD-78320-002	
			MATERIAL NO.		SHEET NO.	
			SEE TABLE		4 OF 5	
			SIZE	THIS DRAWING CONTAINS INFORMATION THAT IS PROPRIETARY TO MOLEX INCORPORATED AND SHOULD NOT BE USED WITHOUT WRITTEN PERMISSION		
			A3			

PACKAGING INFORMATION



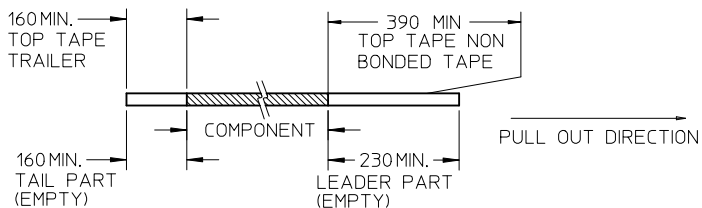
SECTION X-X



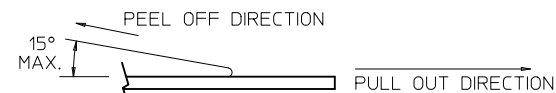
DETAIL2

NOTES:

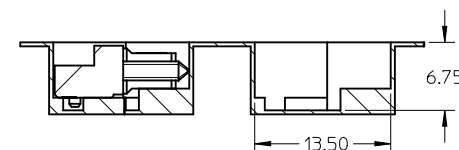
1. LEADER AND TRAILER TAPE



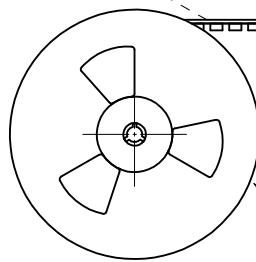
2. PEELING OFF FORCE OF THE TOP TAPE: 20 - 80gf.
(PEELING DIRECTION AS SHOWN IN FOLLOWING FIGURE)



- 3. TAPE AND REEL SPECIFICATION IS AS PER EIA-481.
- 4. TAPE AND REEL QUANTITY : SPQ=500PCS/REEL, MDQ=1000PCS/CARTON
: QTY/REEL=500PCS, REELS/CARTON=2
- 5. THE TAPE IS TREATED FOR ANTI-STATIC.



PARTIAL1 OF SECTION Y-Y



PULL OUT DIRECTION

REEL

TYPED ERROR NOTE 4 (MDO) IEC NO: S2010-1046 DRWING: GMENARLY 2010/06/28 CHK'D: SCHEONG 2010/07/05 APPR: BOKKOK 2010/07/06	DESCRIPTION QUALITY SYMBOLS $F_A=0$ $F_C=0$ $F_P=0$	GENERAL TOLERANCES (UNLESS SPECIFIED)		DIMENSION STYLE MM ONLY		SCALE NTS	DESIGN UNITS METRIC	THIRD ANGLE PROJECTION		
			mm	INCH	DRAWN BY GMENARLY	DATE 2007/10/08	TITLE SERIAL ATA RECEPTACLE 1.8 INCH HDD/SSD R/A, SMT, 3.80MM HEIGHT			
		4 PLACES	± ---	± ---	CHECKED BY YKOH	DATE 2007/11/21	MOLEX INCORPORATED			
		3 PLACES	± ---	± ---	APPROVED BY BOKKOK	DATE 2010/01/26				
2 PLACES	± 0.20	± ---	MATERIAL NO.		DOCUMENT NO.		SHEET NO.			
1 PLACE	± ---	± ---	ANGULAR ± 3 °		SEE TABLE		SD-78320-002			
DRAFT WHERE APPLICABLE MUST REMAIN WITHIN DIMENSIONS		SIZE A3		THIS DRAWING CONTAINS INFORMATION THAT IS PROPRIETARY TO MOLEX INCORPORATED AND SHOULD NOT BE USED WITHOUT WRITTEN PERMISSION						