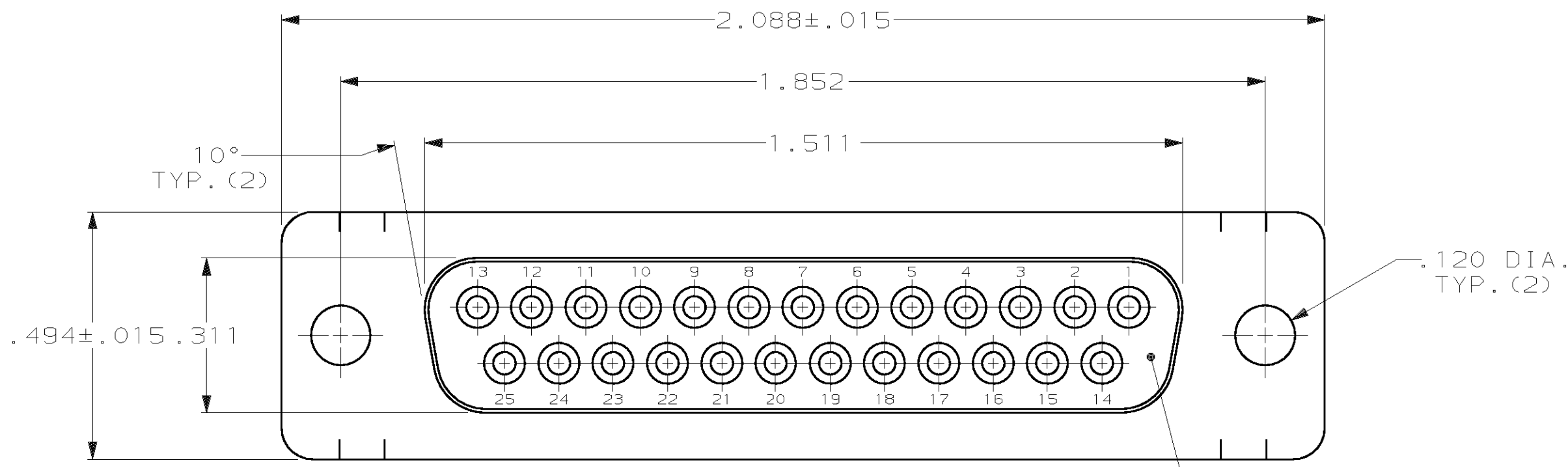


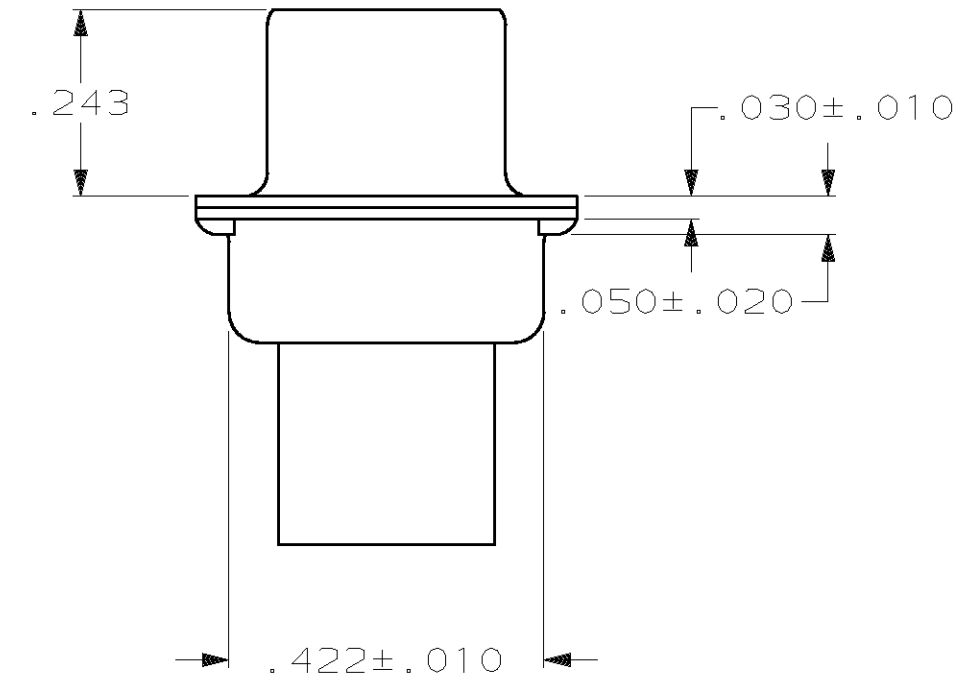
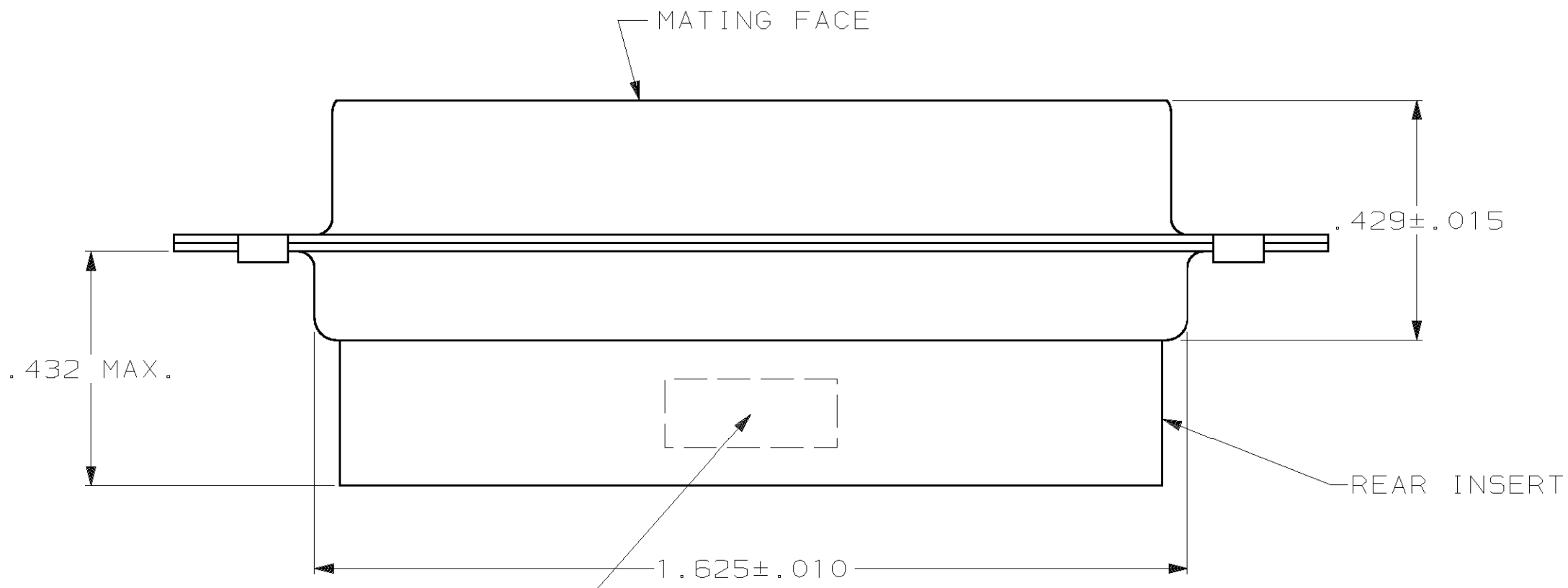
THIS DRAWING IS UNPUBLISHED. RELEASED FOR PUBLICATION, 19 .
 © COPYRIGHT 19 BY AMP INCORPORATED. ALL INTERNATIONAL RIGHTS RESERVED.

LOC		DIST		REVISIONS			
ZONE	LTR	DESCRIPTION	DATE	APPD			
BD	48			H1	ADDED -4 PER NPR 4837	06/14/93	SB
				J	OBSOLETE -3 AND REV PER EC OU1D-0248-00	27 OCT 00	JK



- CONNECTOR ACCEPTS SIZE 20 DF SOCKET CONTACTS, RETENTION TINES ARE AN INTEGRAL PART OF INSERT.
- CONNECTOR COMPLIES WITH AMP SPEC. 108-40,005 WHERE APPLICABLE.
- FLAME RETARDANT 94V-0 RATED GLASS FILLED NYLON, COLOR: SEE TABLE.
- STEEL PER ASTM A109.
- ZINC PLATED PER ASTM B633; TYPE II; CLASS SC1; YELLOW CHROMATE.

FRONT INSERT



"AMP", PART NO. & DATE CODE, MARKED IN AREA INDICATED, ON FAR SIDE

OBSOLETE	SMALL PACK	BLACK	205207-4
	STANDARD	BLUE	205207-3
	STANDARD	BLACK	205207-1
	PACKAGING TYPE	INSERTS COLOR	PART NUMBER

DO NOT SCALE PRINT. UNLESS SPECIFIED DIMENSION IN INCHES. TOLERANCES ON: 2 PLC DEC ± - 3 PLC DEC ± .005 ANGLES ± 2°	DR 7-19-85 5.WELDON CHK 7-19-85 J.GERACE APPD 7-29-85 L.BREKOSKY APPD 7-31-85 V.KUMAR	AMP Incorporated Harrisburg, PA 17105-3608 NAME RECEPTACLE CONNECTOR, SIZE 3, 25 POS., AMPLIMITE™HDP		
MATERIAL INSERTS:	PRODUCT SPEC -			
FINISH SHELLS:	APPLICATION SPEC -	SIZE	CAGE CODE 00779	DRAWING NO C=205207
	WEIGHT -	SCALE NTS	SHEET 1 OF 1	

THIS DRAWING IS A CONTROLLED DOCUMENT FOR AMP INCORPORATED. IT IS SUBJECT TO CHANGE AND THE CONTROLLING ENGINEERING ORGANIZATION SHOULD BE CONTACTED FOR THE LATEST REVISION.