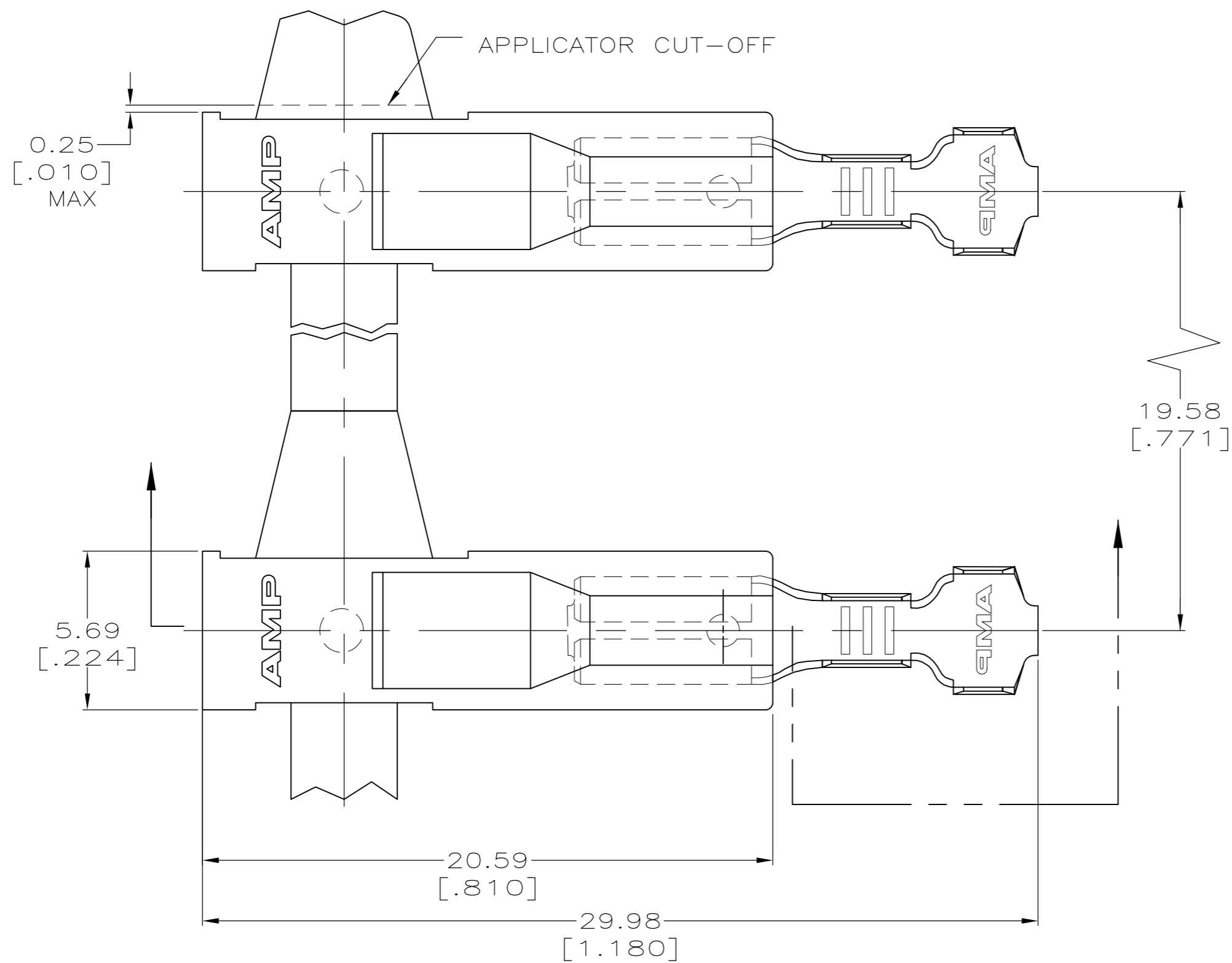
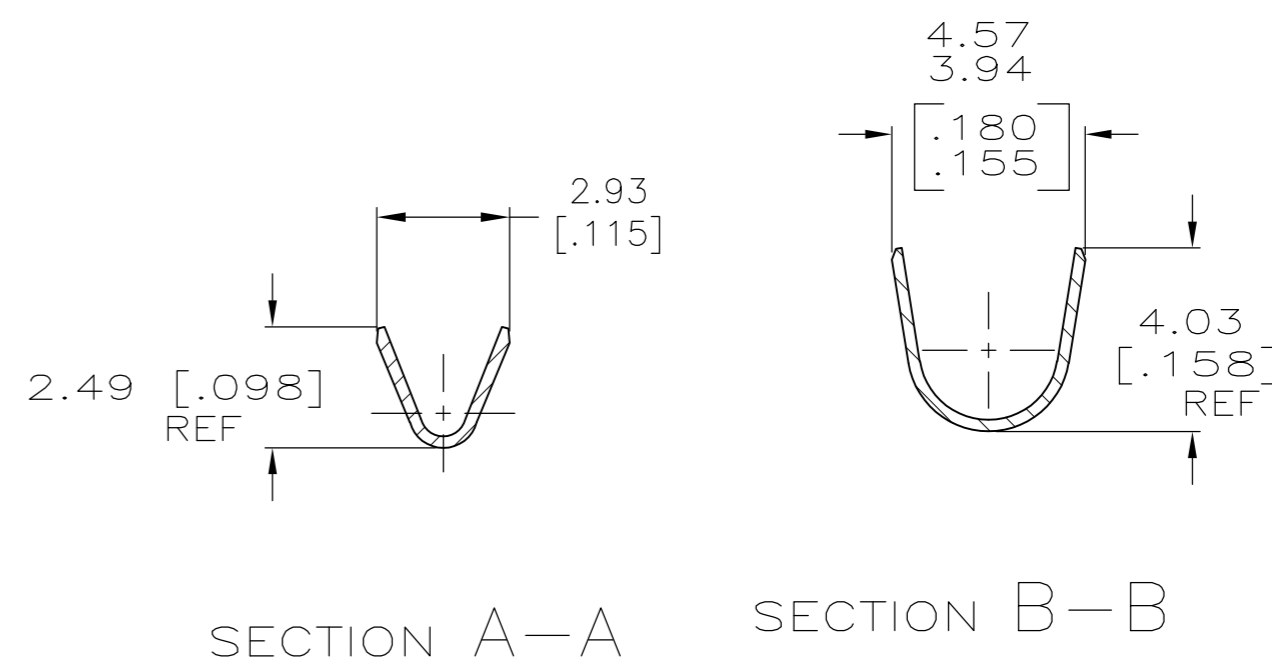
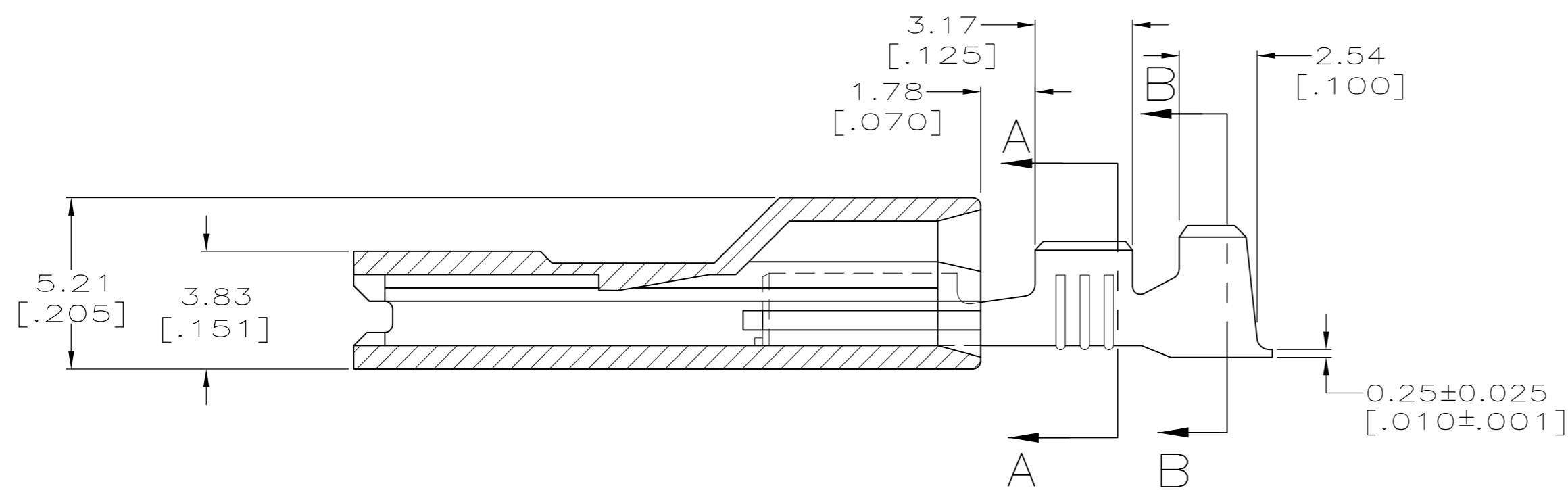


THIS DRAWING IS UNPUBLISHED. RELEASED FOR PUBLICATION  
 © COPYRIGHT - By - ALL RIGHTS RESERVED.

LOC		DIST		REVISIONS			
P	LTR	DESCRIPTION		DATE	DWN	APVD	
AF	50	F		REVISED PER ECR-12-013219	08JAN13	KH	KR



- 1 MATING TAB THK IS 0.51±0.025[.020±.001]
- 2 WIRE SIZE IS [#22-#18] AWG.
- 3 INSULATION RANGE IS 2.03-3.05[.080-.120] DIA.
- △4 MATERIAL - TERMINAL - BRASS  
HOUSING - 6/6 NYLON
- △5 FINISH - TERMINAL - SEE TABLE  
HOUSING - BLACK
- △6 PREPRODUCTION - FASR REQ



0.001016 [.000040] MIN TIN		△6 521408-2	
TERMINAL FINISH		△5 PART NO.	
DWN JR RUTH 16MAY01		<b>TE</b> TE Connectivity	
CHK MS FEHER 16MAY01			
APVD J HUMMEL 16MAY01		NAME	
PRODUCT SPEC		ASSEMBLY, RECEPTACLE, ULTRA-POD, 2.79 [.110] SERIES	
APPLICATION SPEC		SIZE	RESTRICTED TO
114-2124		A2	-
WEIGHT -		CAGE CODE	DRAWING NO
MATERIAL △4		00779	521408
FINISH △5		SCALE	SHEET
CUSTOMER DRAWING		5:1	1 of 1
		REV	F