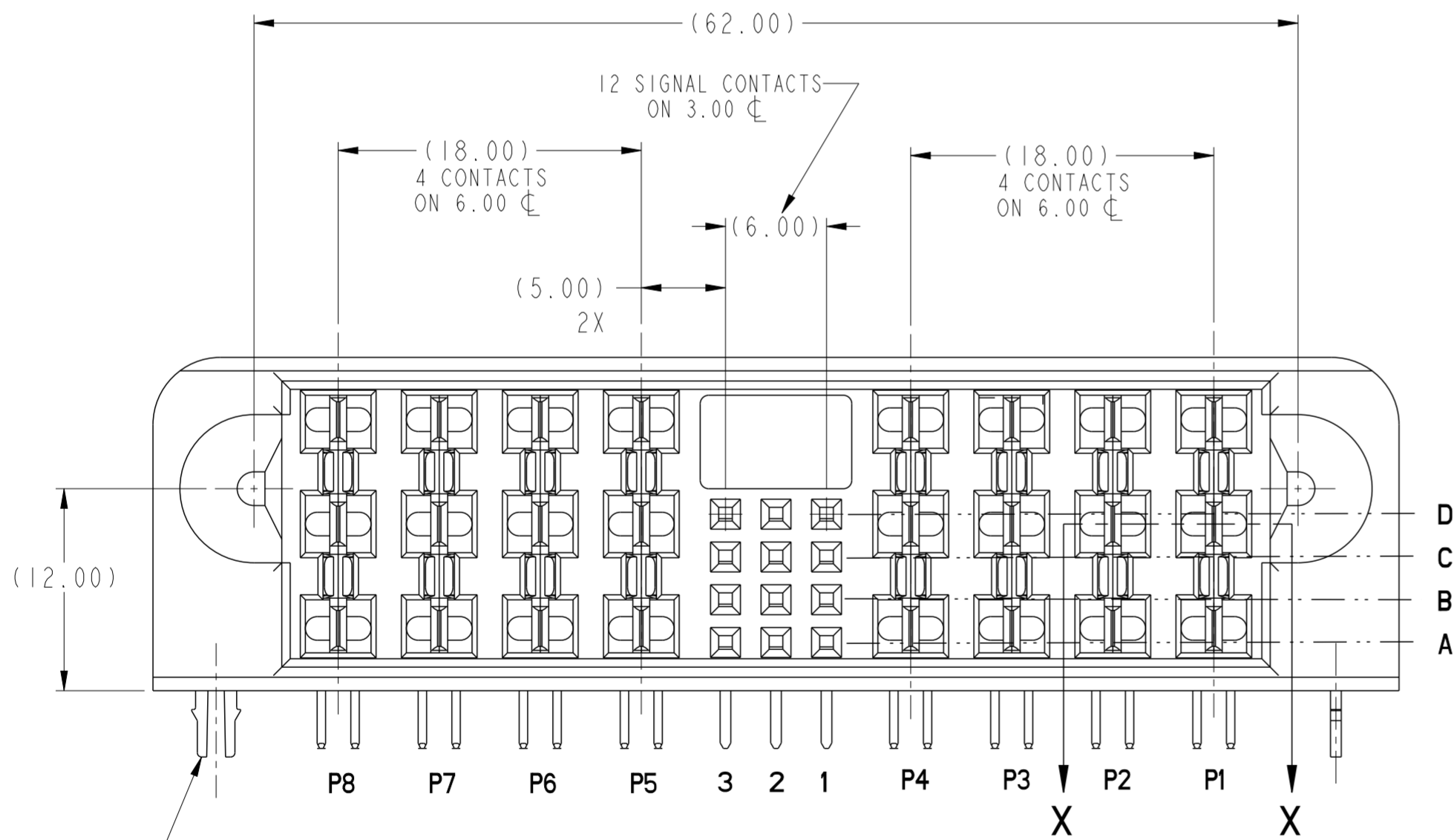
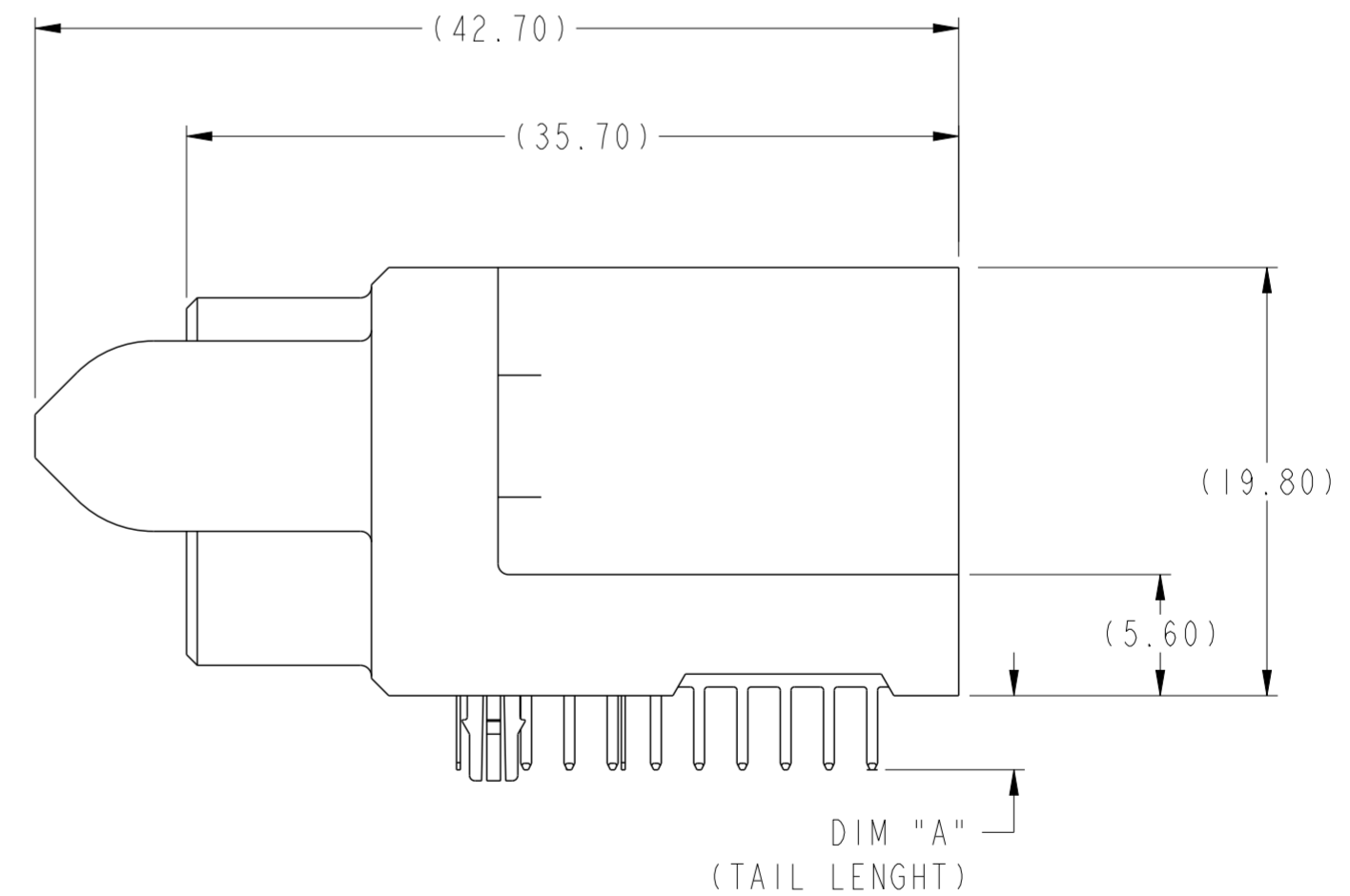


HOUSING  
NOTE 8



RETENTION CLIPS  
OPTIONAL  
(SEE P/N TABLE)



spec ref	*	dr	NotFound DuWa	2010/04/27	projection	MM	size	A2	scale	3:1
tolerance std	ASME Y14.5	eng	De-Ming Lu	2014/12/28	chr	-	ecn no	ELX-DG-19849-1	rel level	Released
surface	linear	appr	Pei-Ming Zheng	2014/12/29	product family	-	rel level	Released	cat. no.	R/A RECPT ASSY 4P+12S+4P HCI POWER CONNECTOR
ASME Y14.5	angular	0°	±2°	0.X	±0.5	0.XX	±0.25	0.XXX	±0.10	www.fci.com
							dwg no	10080907	rev	B
							Product - Customer Drw	sheet 1 of 4		



Copyright FCI.



A

A

B

B

C

C

D

D

E

E

F

F

TOP LAYER DESCRIPTION

TABLE 1 (HCI POWER)  
PLATED THROUGH-HOLE REQUIREMENTS

TOP LAYER DESCRIPTION	DRILLED HOLE DIAMETER	COPPER THICKNESS	TIN-LEAD THICKNESS	NICKEL THICKNESS	GOLD THICKNESS	TIN THICKNESS	SILVER THICKNESS	FINISHED HOLE DIAMETER
TIN-LEAD	0.81-0.86 (0.85 DRILL)	0.025 - 0.050	0.005 - 0.015	--	--	--	--	0.65 - 0.80
IMMERSION TIN	0.81-0.86 (0.85 DRILL)	0.025 - 0.050	--	--	--	0.9 - 1.5um	--	0.70 - 0.80
IMMERSION SILVER	0.81-0.86 (0.85 DRILL)	0.025 - 0.050	--	--	--	--	0.15 - 0.65um	0.70 - 0.80
COPPER (SEE NOTE 9)	0.81-0.86 (0.85 DRILL)	0.025 - 0.050	--	--	--	--	--	0.70 - 0.80
GOLD	0.81-0.86 (0.85 DRILL)	0.025 - 0.050	--	0.003 - 0.007	FLASH UP TO 0.0002	--	--	0.69 - 0.80

TOP LAYER DESCRIPTION

TABLE 2 (HPC SIGNALS)  
PLATED THROUGH-HOLE REQUIREMENTS

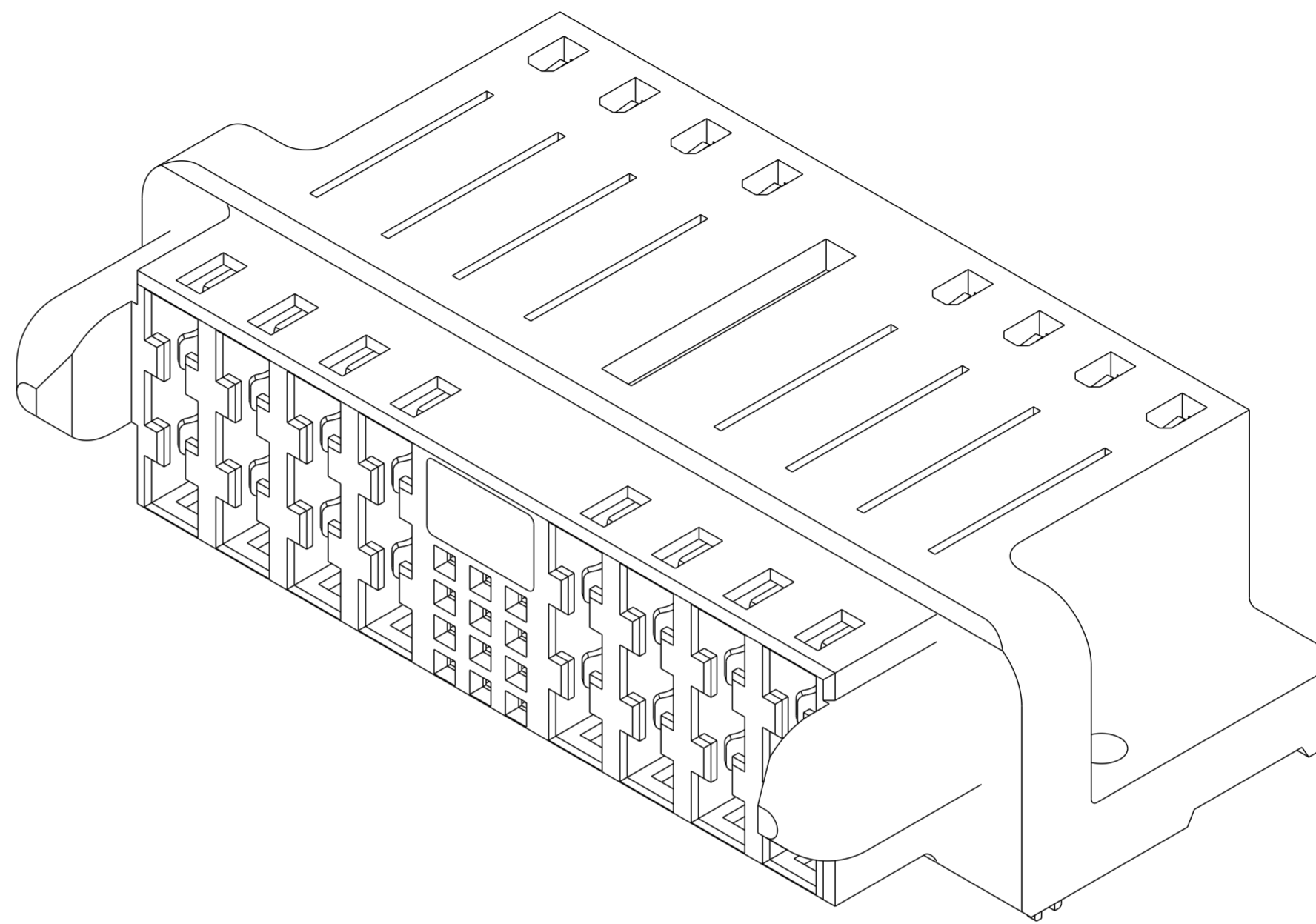
TOP LAYER DESCRIPTION	DRILLED HOLE DIAMETER	COPPER THICKNESS	TIN-LEAD THICKNESS	FINISHED HOLE DIAMETER
TIN-LEAD	1.125-1.175 ( $\varnothing .0453 \pm .0010$ )	0.025-0.050	0.005 - 0.015	0.94 - 1.10 ( $\varnothing .040 \pm .003$ )
IMMERSION TIN			--	
IMMERSION SILVER			--	
COPPER (SEE NOTE 9)			--	
GOLD			--	



Copyright FCI.

dr	NotFound DuWa	2010/04/27	projection		MM	size	A2	scale	1:1
eng	De-Ming Lu	2014/12/28	product family	-	-	rel level	-	ELX-DG-19849-1	Released
chr	-	-							
appr	Pei-Ming Zheng	2014/12/29			title R/A RECPT ASSY 4P+12S+4P HCI POWER CONNECTOR		dwg no 10080907	rev B	
www.fci.com			cat. no.		Product - Customer Drw		sheet 3 of 4		

PART NUMBER	RETENTION CLIPS	#4 SCREW	DIM A (TAIL LENGTH)	TAIL TYPE
10080907-001LF	NO	YES	3.43	SOLDER TAIL
10080907-002LF	NO	YES	4.70	SOLDER TAIL
10080907-003LF	YES	NO	3.43	SOLDER TAIL
10080907-004LF	YES	NO	4.70	SOLDER TAIL



NOTES:

1. CONNECTOR MATERIALS:  
HOUSING: HIGH TEMPERATURE THERMOPLASTIC, BLACK  
UL 94V-0 COMPLIANT  
CONTACTS: HIGH PERFORMANCE COPPER ALLOY
2. CONTACT FINISH (ref GS-12-380 SECTION 5.2)
3. PRODUCT SPECIFICATION: GS-12-380. (IN PROGRESS)
4. APPLICATION SPECIFICATION: GS-20-070. (IN PROGRESS)
5. PRODUCT MARKING (PRODUCT NUMBER & DATE CODE) ON HOUSING IN AREA SHOWN.
6. MINIMUM NOMINAL PCB THICKNESS: 1.6mm
7. PACKAGING MEETS FCI SPECIFICATION GS-14-1073.
8. HOUSING COMPONENT WILL WITHSTAND EXPOSURE TO 260°C PEAK TEMPERATURE FOR 60 SECONDS IN A CONVECTION, INFRA-RED, OR VAPOR PHASE REFLOW OVEN.
9. COPPER PLATING THICKNESS IN CENTER OF VIA-HOLE CAN BE NO MORE THAN 0.003 LESS THAN OTHER AREAS.
10. ALL HOLE SIZES ARE FINISHED HOLE SIZES.
11. MOUNTING HOLES ARE UNPLATED.

dr	NotFound DuWa	2010/04/27	projection	MM	size	A2	scale	3:1
eng	De-Ming Lu	2014/12/28			ecn no	ELX-DG-19849-1		
chr	-	-			rel level	Released		
appr	Pei-Ming Zheng	2014/12/29	product family	-	cat. no.	10080907		
		title R/A RECPT ASSY 4P+12S+4P HCI POWER CONNECTOR		dwg no 10080907	rev B			
www.fci.com		Product - Customer Drw		sheet 4 of 4				