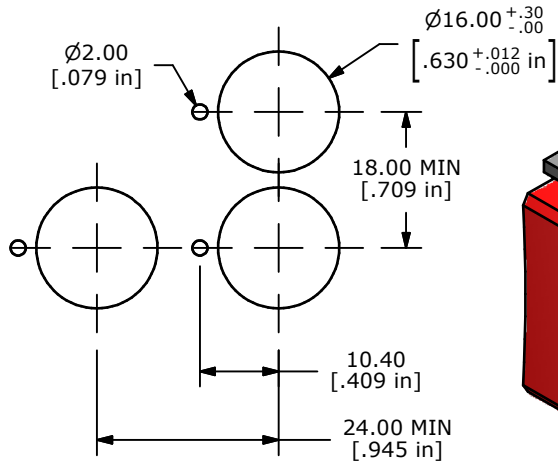
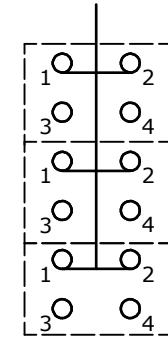
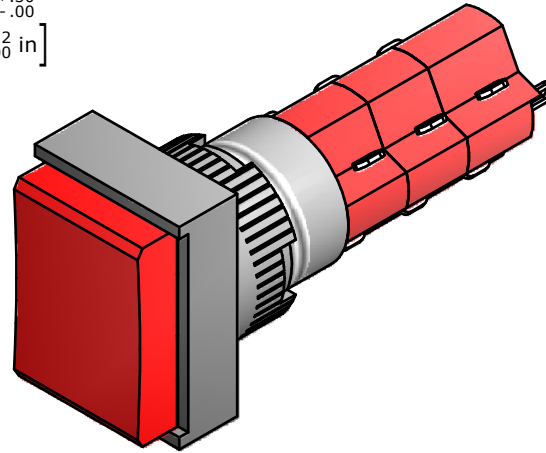


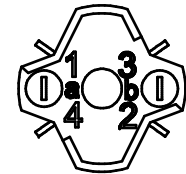
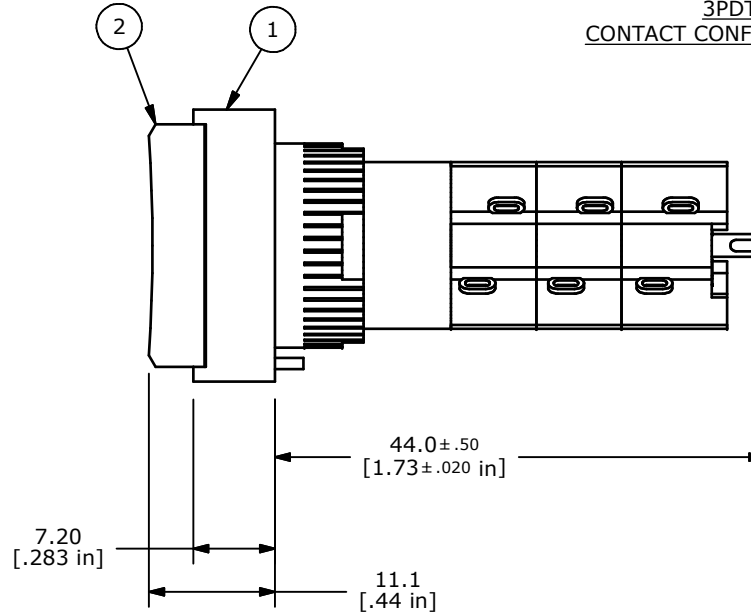
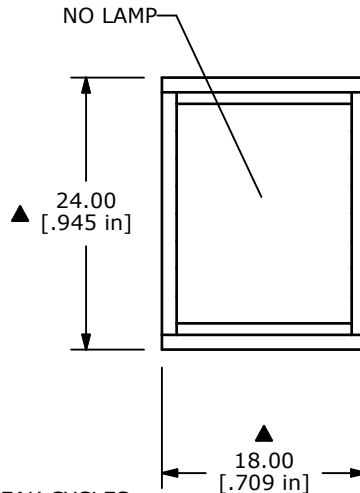
PARTS LIST				
ITEM	QTY	PART NUMBER	DESCRIPTION	
1	1	F040036	D16OAT13	
2	1	F052204	RED OPAQUE RECTANGULAR CONCAVE LENS	



PANEL MOUNTING



3PDT CONTACT CONFIGURATION



- NOTE:
1. ALL DIMENSIONS IN MM [INCH]
  2. GENERAL TOLERANCE: X.X=±0.4  
X.XX=±0.25
  3. TERMINAL NUMBERS FOR REF ONLY
  4. RATING: 5A @ 250 VAC  
6A @ 24 VDC  
8A @ 125 VAC
  5. ELECTRIC LIFE: 50,000 MAKE-AND-BREAK CYCLES AT FULL LOAD.
  6. INSULATION RESISTANCE: 1,000 MEGA-OHM MIN.
  7. OPERATING TEMP.: -25°C to 70°C
  8. SEAL RATING: IP 40
  9. (MOUNTING) PANEL THICKNESS: 0.5 - 5.0 mm
  - ▲ 10. LAMP: NONE
  11. ▲ DENOTES CRITICAL PARAMETER.
  12. 2002/05/EC (ROHS) COMPLIANT.
  13. PACKAGE: BOX/20 PIECES PER BOX



A	18406	RELEASED FOR PRODUCTION	2/26/09	BLR
REV	PCR NO	DESCRIPTION	DATE	BY

TITLE D16OAT130RED				
SCALE	DATE	DR	DWG	REV
2:1	2/26/2009	BLR	XF0786P	A

THE INFORMATION CONTAINED IN THIS DOCUMENT IS PROPRIETARY TO E-SWITCH AND IS NOT TO BE COPIED OR TRANSFERRED