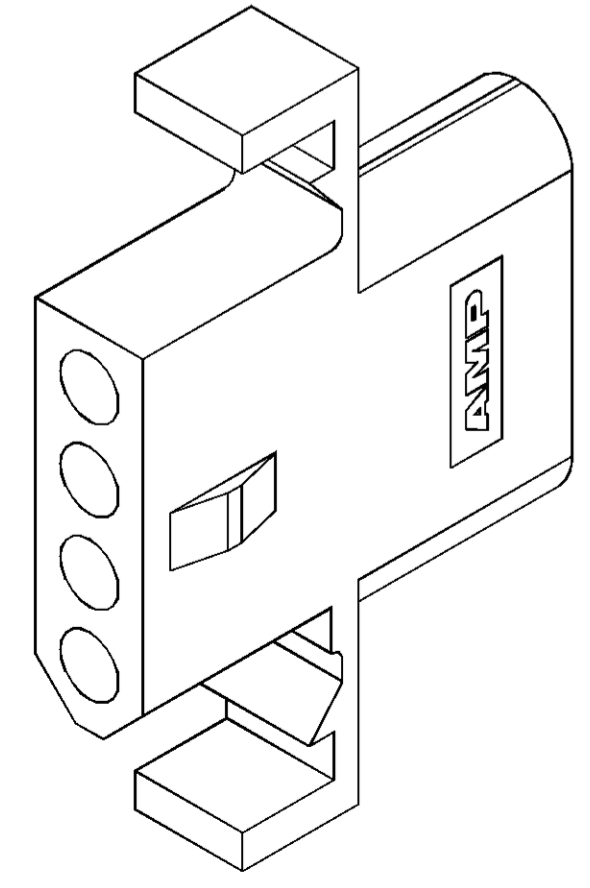
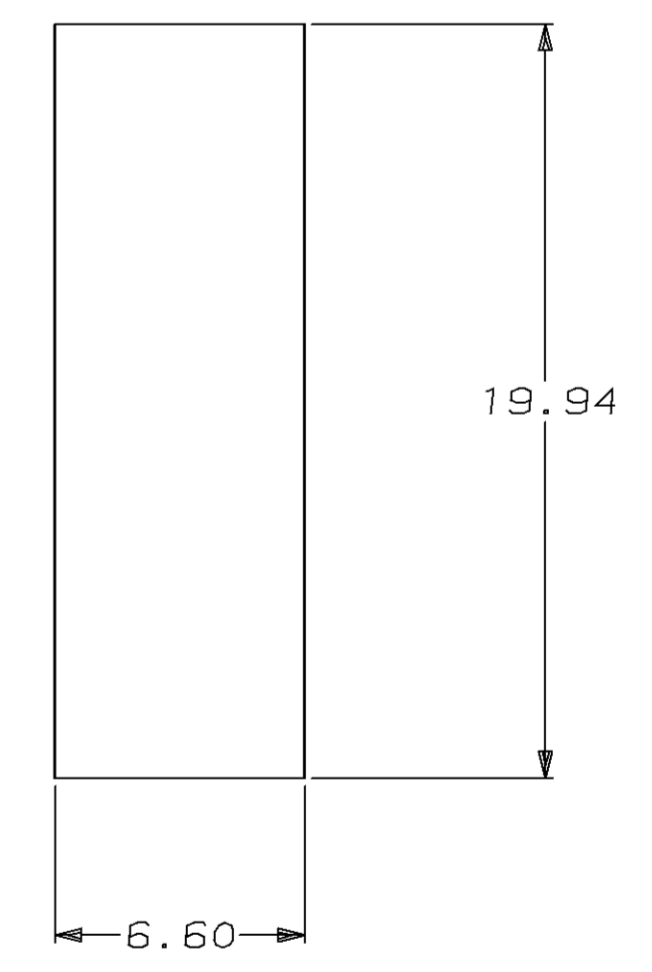
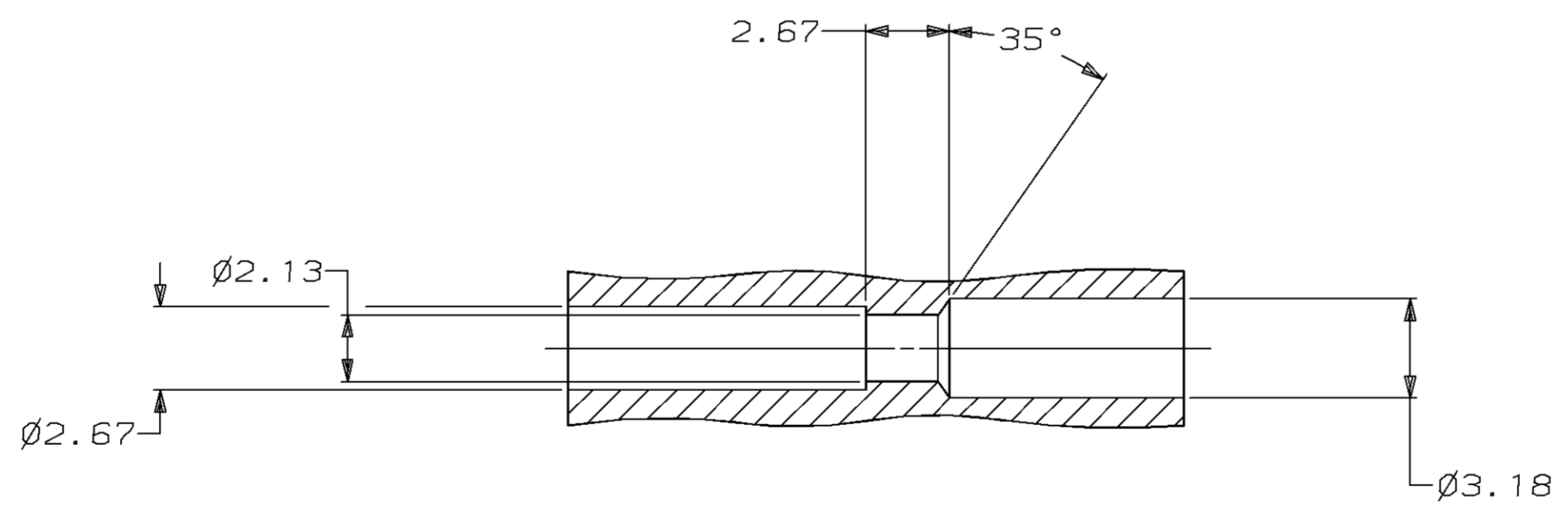
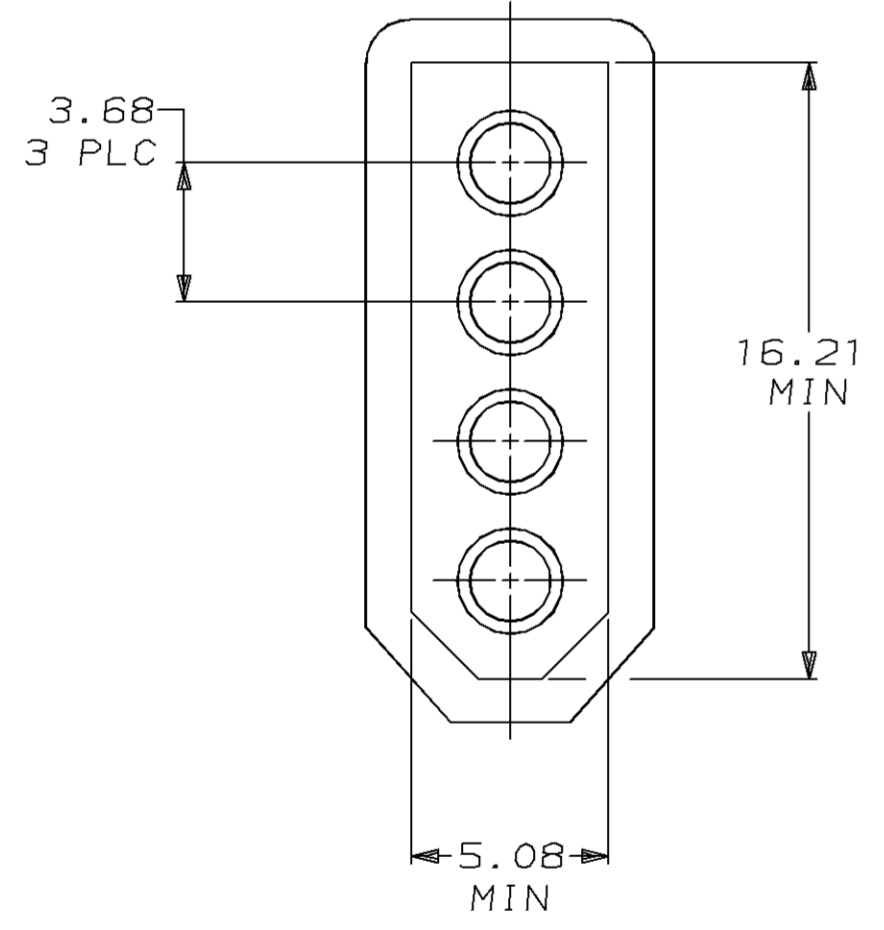
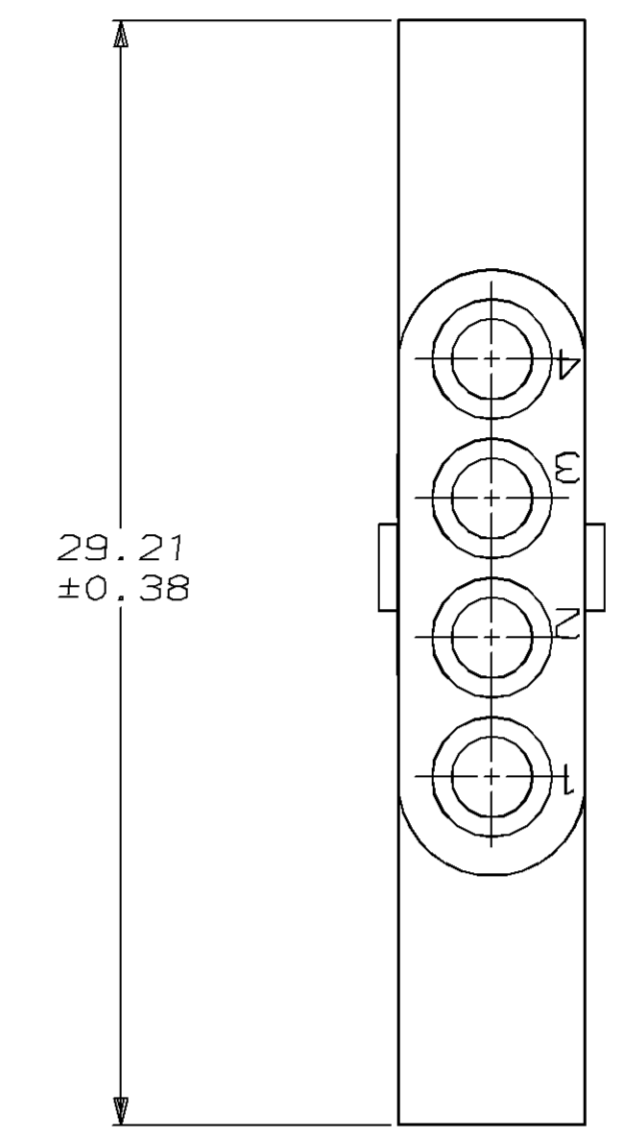
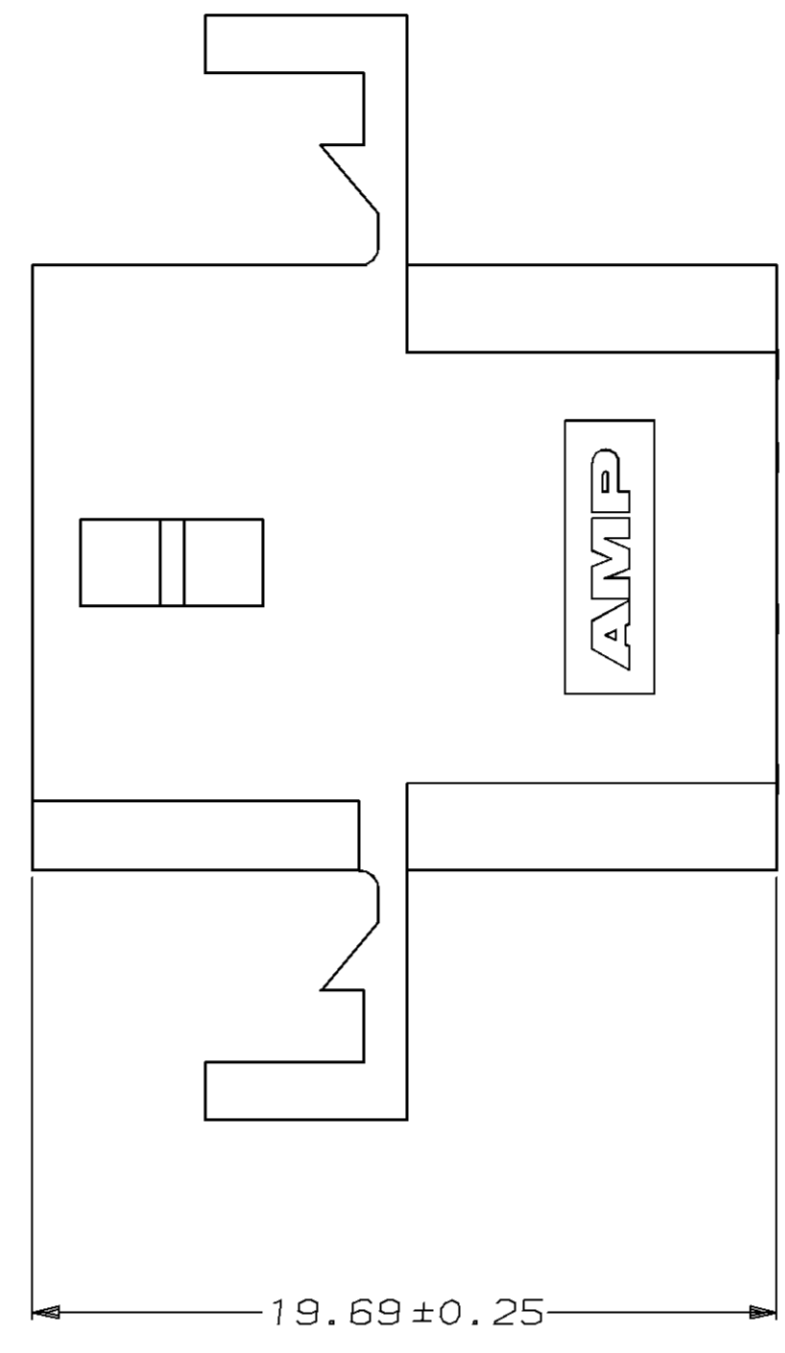
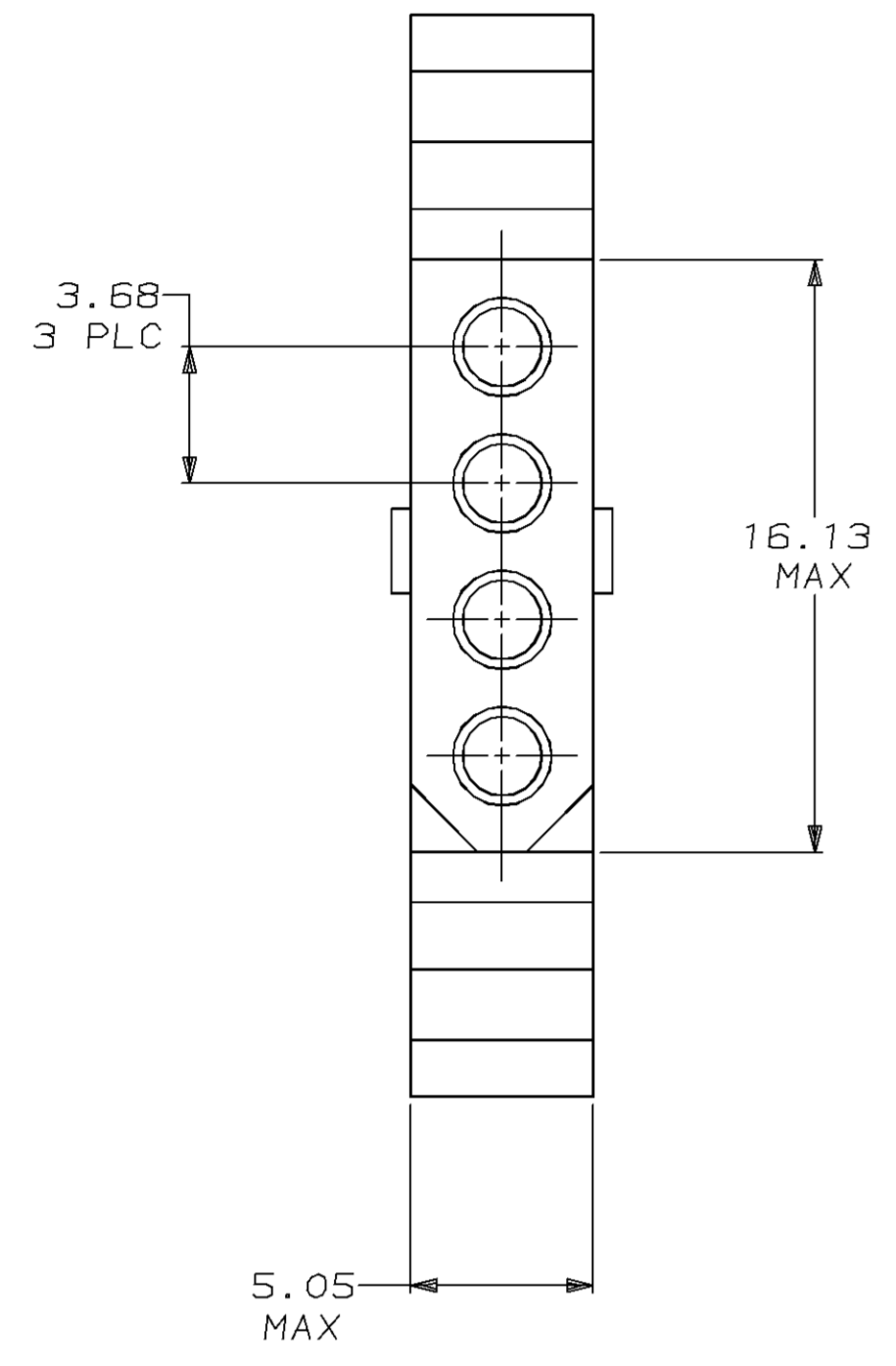


LOC		DIST		P		F		ZONE		LTR		REVISIONS		DATE	APPD
CM	53												REV PER EC 0730-0221-95	11-20-95	JH



MATING CONNECTOR INTERFACE

TYPICAL RECEPTACLE CAVITY SECTION (DIMENSIONS REFERENCE ONLY)

RECOMMENDED CUT OUT FOR 1.52 MAX THICK PANEL

2.13	.084	6.60	.260	-	-
1.57	.062	5.08	.200	29.21	1.150
1.52	.060	5.05	.199	19.94	.785
0.38	.015	3.68	.145	19.69	.775
0.25	.010	3.18	.125	16.21	.638
0.13	.005	2.67	.105	16.13	.635
MM	IN	MM	IN	MM	IN

CONVERSION TABLE



THIS DRAWING IS A CONTROLLED DOCUMENT FOR AMP INCORPORATED. IT IS SUBJECT TO CHANGE AND THE CONTROLLING ENGINEERING ORGANIZATION SHOULD BE CONTACTED FOR THE LATEST REVISION.

DO NOT SCALE PRINT. UNLESS SPECIFIED DIMENSIONS IN mm [INCHES] TOLERANCES ON:		DR 11-4-93 K. WHITAKER	770335-1 PART NO		
2 PLC DEC ± 0.13	3 PLC DEC ± -	CHK 11-4-93 R. SWING	AMP Incorporated Harrisburg, PA 17105-3608		
ANGLES ± 1°		APPD 11-4-93 C. CASH	NAME RECEPTACLE, PANEL MOUNT, 4 CIRCUIT, .062 PIN AND SOCKET		
MATERIAL NYLON, UL 94V-2 NATURAL		APPD 11-4-93 C. CASH	PRODUCT SPEC -		
FINISH -		APPLICATION SPEC -	SIZE D	CAGE CODE 00779	DRAWING NO C-770335
WEIGHT -			SCALE 5:1	SHEET 1 OF 1	