

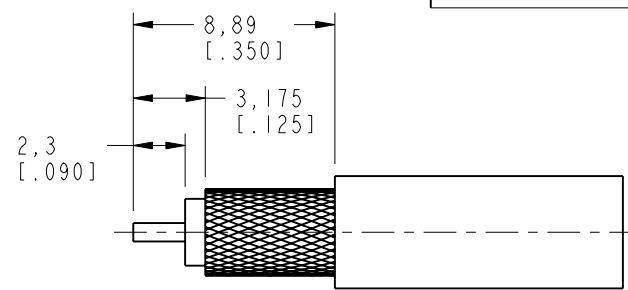
NOTES:

1. MATERIALS AND FINISHES:
 BODY & SLEEVE - BRASS, WHITE BRONZE PLATING
 CONTACT - BRASS, GOLD PLATING
 OUTER CONTACT - PHOSPHOR BRONZE, WHITE BRONZE PLATING
 FERRULE - COPPER, WHITE BRONZE PLATING
 INSULATOR - PTFE
2. ELECTRICAL:
 A. IMPEDANCE: 50 OHM
 B. FREQUENCY RANGE: DC - 6 GHz
 C. VSWR(RETURN LOSS): 1.15 (23 dB), MAX.
 D. DIELECTRIC WITHSTANDING VOLTAGE: 1000 VRMS, MIN.
3. MECHANICAL:
 A. DURABILITY: 500 CYCLES MIN.
 B. TEMPERATURE RANGE: -65° C TO 165° C
4. ASSEMBLY:
 A. STRIP CABLE AS SHOWN
 B. SOLDER CENTER CONTACT TO CABLE
 C. INSERT AND CRIMP FERRULE WITH .213 HEX
5. PACKAGING:
 A. QUANTITY: SINGLE PACK
 B. MARKING: BAG TO BE MARKED
 "AMPHENOL, 930-120P-51S, AND DATE CODE"

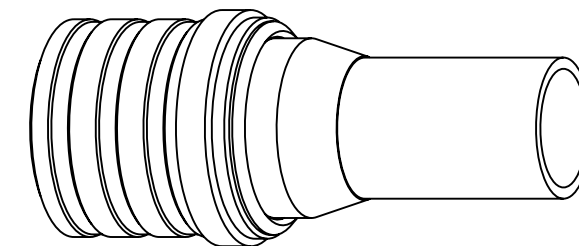
THIRD ANGLE PROJ.

REVISIONS

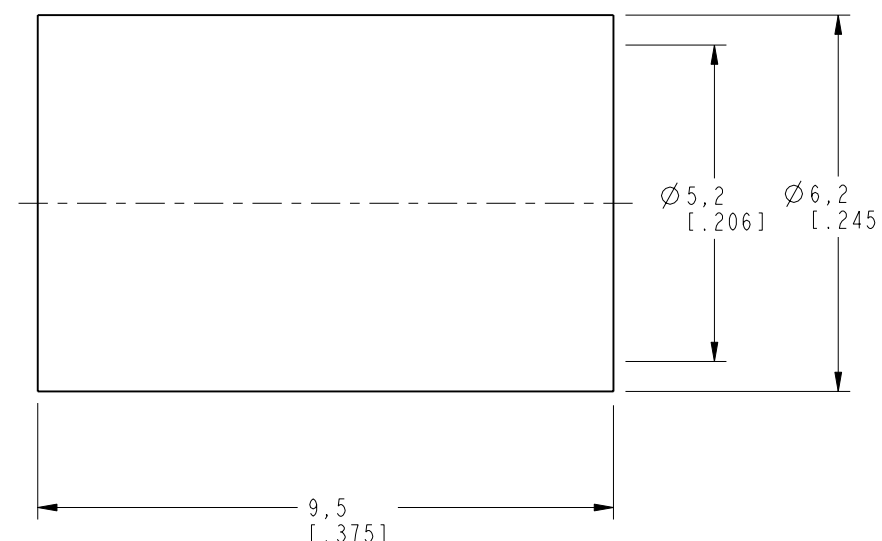
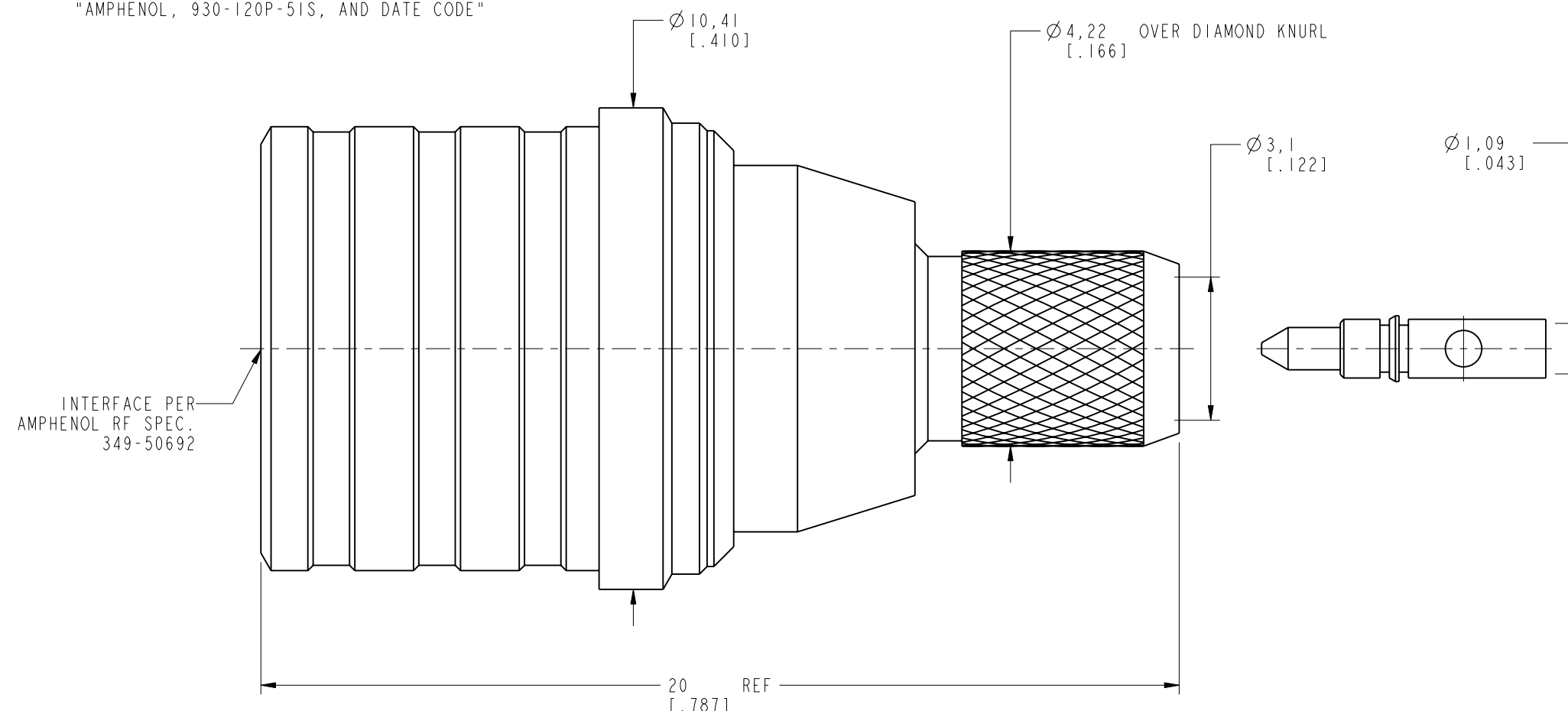
REV	DESCRIPTION	DATE	ECO	APPR
A	RELEASE TO MFG.	7/23/04	45058	
B	CHANGED CABLE STRIPPING DIM'S	8/28/06	46241	CPM
G	UPDATED GLOBAL FORMAT	13-Apr-12	49040	IX



RECOMMENDED
CABLE STRIPPING DIMENSIONS



SCALE 3.000



CUSTOMER OUTLINE DRAWING
ALL OTHER SHEETS ARE FOR INTERNAL USE ONLY

UNLESS OTHERWISE SPECIFIED, DIMENSIONS ARE IN METRIC AND TOLERANCES ARE: <0.5mm ±0.05mm 0.5 - 6mm ±0.1mm 6 - 30mm ±0.2mm 30 - 120mm ±0.3mm ANGLES ±1°	MATERIAL	DRAWN I. XU	DATE 11-Apr-12	TITLE QMA (M) STRAIGHT PLUG TO RG-58	Amphenol RF Danbury CT USA, Tainan, Taiwan, Shenzhen, China www.amphenolrf.com
	REFERENCE EAR #1178 AND 615X-2020-100	ENGINEER K. CAPOZZI	DATE 27-May-04		
NOTICE - These drawings, specifications, or other data (1) are, and remain the property of Amphenol corp. (2) must be returned upon request; and (3) are confidential and not to be disclosed to any person other than those to whom they are given by Amphenol Corp. the finishing of these drawings, specifications, or other data by Amphenol Corp., or to any other person to anyone for any purpose is not to be regarded by implication or otherwise in any manner licensing, granting rights to permitting such holder or any other person to manufacture, use or sell any product, process or design, patented or otherwise, that may in any way be related to or disclosed by said drawings, specifications, or other data.	CONFIGURATION LEVEL: <input type="checkbox"/> <input type="checkbox"/> <input type="checkbox"/>	DATE 11-Apr-12	SCALE: 8.0:1.0	SHEET 2 OF 2	DRAWING NO. 930-120P-51S
	FINISH	CAD FILE	DWG SIZE B	REV G	ITEM NO. 930-120P-51S